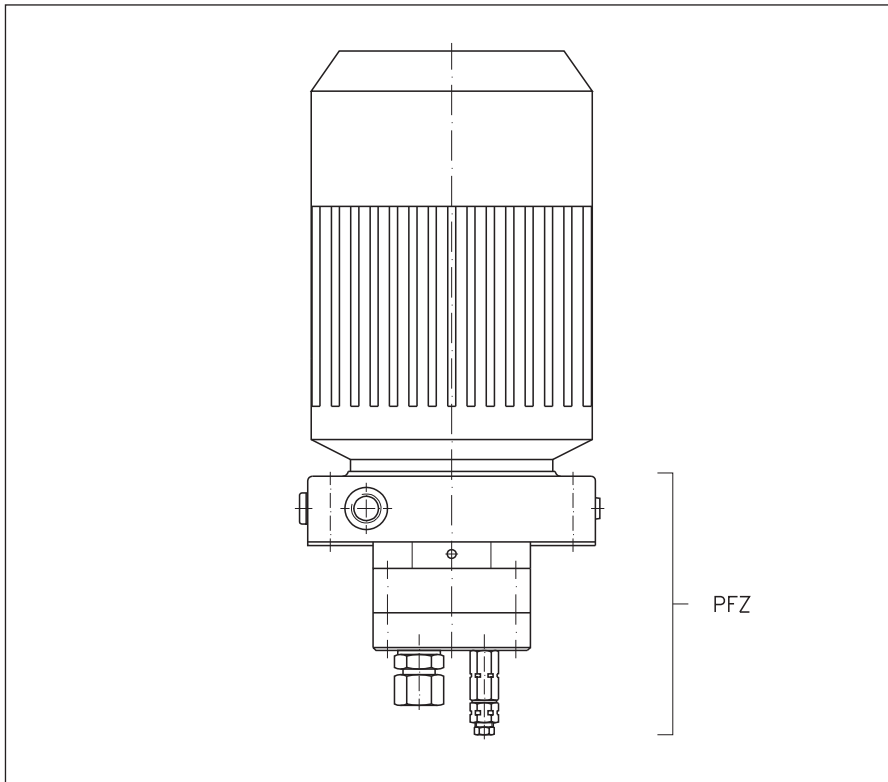


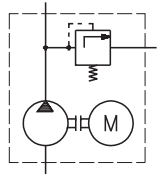


- Subject to modifications -



Gear-type pump unit

GFZ-A
GFZ-B
GFZ-C
GFZ-D



Technical data:

Medium: Mineral oil ¹⁾
 Viscosity: 100 ... 1350 cP ¹⁾
 Medium temperature: -20 ... +80 °C
 Ambient temperature: -20 ... +40 °C
 Operating pressure: (order-designation)
 Volume flow: 0,06 ... 1,00 l/min
 (order-designation)

- The volume flow depends on the medium viscosity, the operating pressure and the number of revolutions of the pump.

Tab.1

Pump unit		Volume flow [l/min]	max. adm. delivery pressure [bar]	Motor
with motor	without motor			
GFZ-A	PFZ-A	0,06	35	Size 56 Synchronous speed = 1500 [1/min] Rated power = 0,09 [kW] Type V18 Flange C80
		0,12	35	
		0,18	35	
		0,25	35	
		0,50	25	
		0,75	20	
GFZ-B	PFZ-B	0,06	35	Size 63 Synchronous speed = 1500 [1/min] Rated power = 0,18 [kW] Type V18 Flange C90
		0,12	35	
		0,18	35	
		0,25	35	
		0,50	35	
		0,75	35	
GFZ-C	PFZ-C	0,06	60	Size 63 Synchronous speed = 1500 [1/min] Rated power = 0,18 [kW] Type V18 Flange C90
		0,12	60	
		0,18	60	
		0,25	60	
		0,50	60	
		0,75	60	
GFZ-D	PFZ-D	0,06	60	Size 71 Synchronous speed = 1500 [1/min] Rated power = 0,37 [kW] Type V18 Flange C105
		0,12	60	
		0,18	60	
		0,25	60	
		0,50	60	
		0,75	60	
1,00	45			
1,00	60			

Materials:

Sealing material: NBR or FPM
(order-designation)

Materials of the parts

in contact with the media: Cast iron,
steel, aluminium

Motor

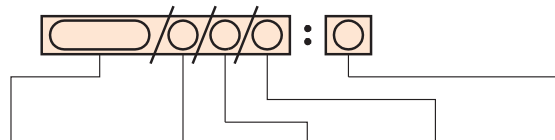
Protection type: IP 55
 Insulating class: F
 Type: IEC 60034-7
 Flange: DIN EN 50347

¹⁾ For the use of other media please check back.

Remark to dimensional drawing:

PFZ - delivery includes:
 Gear-type pump with connection flange
 and clutch (without motor)

Purchase-designation: Gear-type pump unit



Type with motor	Type without motor	Volume flow [l/min]	Pressure control valve ¹⁾	Sealing material	Motor	Spare parts			
						Order-No. Sealing material NBR	Order-No. Gear-type pump Sealing material FPM	Pressure control valve Opening press.[bar]	Order-No.
GFZ-A	PFZ-A	0,06	2,5	NBR (Perbunane) P	230/400V 50Hz	351.033-42	351.033-65	2,5	940.221-65
		0,12				351.034-42	351.034-65	6	940.222-65
		0,18				351.035-42	351.035-65		10
		0,25				351.036-42	351.036-65	16	
		0,50				351.037-42	351.037-65		20
		0,75				351.038-42	351.038-65	60	
1,00	351.039-42	351.039-65							
GFZ-B	PFZ-B	0,06	10	FPM (Viton) V	Special motor type upon request	351.042-42	351.042-65	Coupling for	
		0,12				351.043-42	351.043-65	GFZ-A PFZ-A	520.100-65
		0,18				351.044-42	351.044-65		
		0,25				351.045-42	351.045-65	GFZ-C PFZ-C	520.110-65
		0,50				351.047-42	351.047-65		
		0,75				351.048-42	351.048-65		
1,00	351.049-42	351.049-65							
GFZ-C	PFZ-C	0,06	25			351.042-42	351.042-65		
		0,12				351.043-42	351.043-65		
		0,18				351.044-42	351.044-65		
		0,25				351.045-42	351.045-65		
		0,50				351.047-42	351.047-65		
		0,75				351.048-42	351.048-65		
1,00	351.049-42	351.049-65							
GFZ-D	PFZ-D	0,06	45			351.042-42	351.042-65		
		0,12				351.043-42	351.043-65		
		0,18				351.044-42	351.044-65		
		0,25				351.045-42	351.045-65		
		0,50				351.047-42	351.047-65		
		0,75				351.048-42	351.048-65		
1,00	351.049-42	351.049-65							

- Subject to modifications -

¹⁾ mind the max. permissible delivery pressure (tab.1)

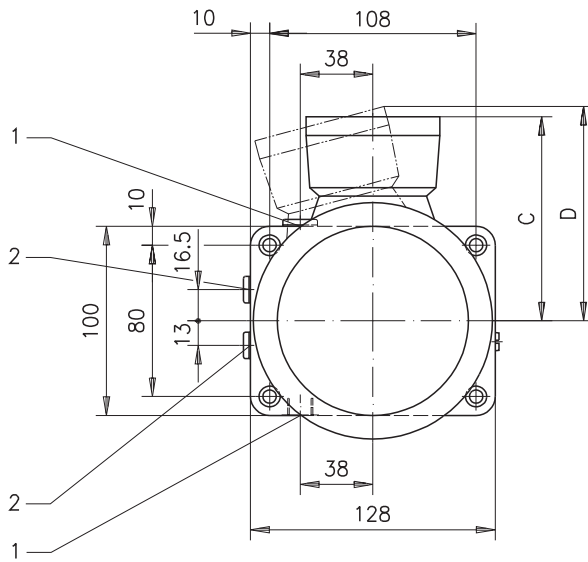
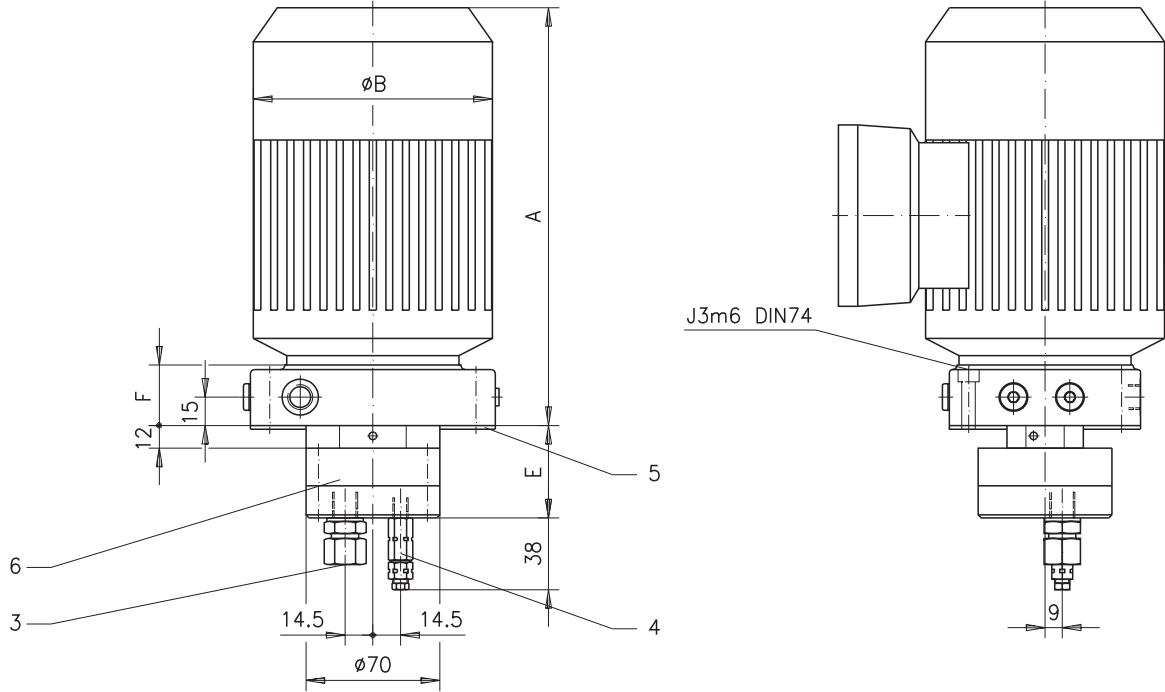
Purchase-example:

Gear-type pump unit GFZ-A with a delivery volume of 0,75 l/min, pressure control valve 16, sealing material NBR, voltage 230/400V, frequency 50Hz

Purchase-designation: Gear-type pump unit GFZ-A/0,75/16/P : 230/400V 50Hz



- Subject to modifications -



- 1 = Connection for pressure line G1/4 (2x)
- 2 = Connection for pressure line M10x1 (2x)
- 3 = Suction line (tube-AD 10)
- 4 = Pressure limiting valve
- 5 = Flat seal (NBR, 1mm thick) Order-No. 355.063-45
- 6 = Gear-type pump
(more details see leaflet-no. 0398, type Z02)

Pump unit	Volume flow [l/min]	Dimensions					
		A [mm]	∅B [mm]	C [mm]	D [mm]	E [mm]	F [mm]
GFZ-A	0,06	188	123	108	-	49	31
	0,12						
	0,18						
	0,25						
	0,50						
	0,75						
1,00	57						
GFZ-B	0,06	221	130	138	-	49	31
	0,12						
	0,18						
	0,25						
	0,50						
	0,75						
1,00	57						
GFZ-C	0,06	221	130	138	-	49	31
	0,12						
	0,18						
	0,25						
	0,50						
	0,75						
1,00	57						
GFZ-D	0,06	255	145	-	155	49	44.5
	0,12						
	0,18						
	0,25						
	0,50						
	0,75						
1,00	57						