

lubrication systems



# MPO

## ELECTRIC PUMP FOR OIL

for progressive systems



# TABLE OF CONTENTS

REV14122020

Technical data	3
Motor	3
MPO	4
Dimensions (MPO)	5



All ILC products must only be used for their intended purposes, as specified in this brochure and in all instructions. If the product is supplied together with user instructions, the user is required to read them and comply with them. Not all lubricants are suitable for centralised lubrication systems. ILC lubrication systems or relative components cannot be used together with gas, liquid gas, pressurised gas in solution and liquids with vapour pressure exceeding normal atmospheric pressure (1013 bar) by more than 0.5 bar, maximum temperature permitted. Any type of dangerous materials, in particular those classified as such by European Community Directive (EC) 67/548/EEC, Article 2 (2), can only be used in ILC centralised lubrication systems or relative components upon consultation with ILC and after having received written approval from the company.

Technical data

Flow rate/1'	150 CC - 250 CC - 500 CC
Operating pressure	50 - 120 bar adjustable
Tank	3 - 5 - 6 - 8 - 12 - 50 L
Lubricants	Oils from 50 to 1000 cSt 40° C
Delivery fitting	M12x1 Pipe Ø 6 - 8
Operating temperature	from -20° C to +80° C
Minimum electric level	1.5 A - 250 V AC / 200 V DC - 50 W

Motor



MPO series electric pumps have a standard configuration that has a three-phase multi-voltage motor. The pump motor unit is applied to a sheet-metal angle plate acting as a cover of the tank

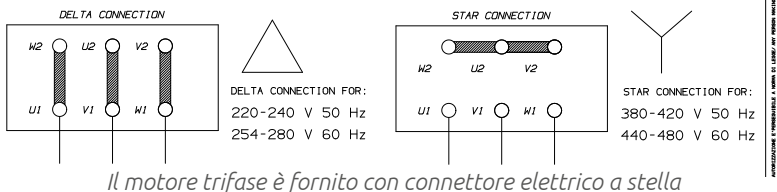
For orders with motors of different voltages, add the voltage value to the relative code, for example **00.860.0** becomes **00.860.0.115**.

Three-phase

Features

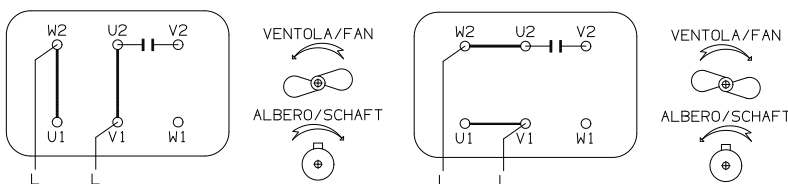
Power supply voltage	Frequency	Absorption
220-240/380-420	50 Hz	1.05-1.22/0.63-071 A
254-280/440-480	60 Hz	1.05-1.22/0.63-071 A

Power	0.18 kW
Protection rating	IP55
Service	Continuous S1
Insulation	Class F
Construction shape	B14
Size	Mec63
Weight	4 Kg



Single-phase

Power supply voltage	Frequency	Absorption
230 V AC	50 Hz	1,47 A
230 V AC	60 Hz	1,61 A
115 V AC	50 Hz	2,94 A
115 V AC	60 Hz	3,2 A



MPO



MPO electric pumps are intended for the provision of oil lubrication systems where progressive dividers are installed.

A valve unit, which provides priming and bypass functions, is applied to the gear pump. They are also equipped with electric minimum level indicator, pressure switch, filler cap with filter and intake filter. Their high pressure and flow rate performance allow them to be used in medium and large size systems.

MPO with a plastic tank

3 Litres	6 Litres	Flow rate
00.860.0	00.860.3	150 CC / 1'
00.860.1	00.860.4	250 CC / 1'
00.860.2	00.860.5	500 CC / 1'

Overall dimensions (mm)

Tank	A	B	C	D	E	F
3 L	155	181	348	167	170	230
6 L	250	276	443	167	170	230

MPO without a tank

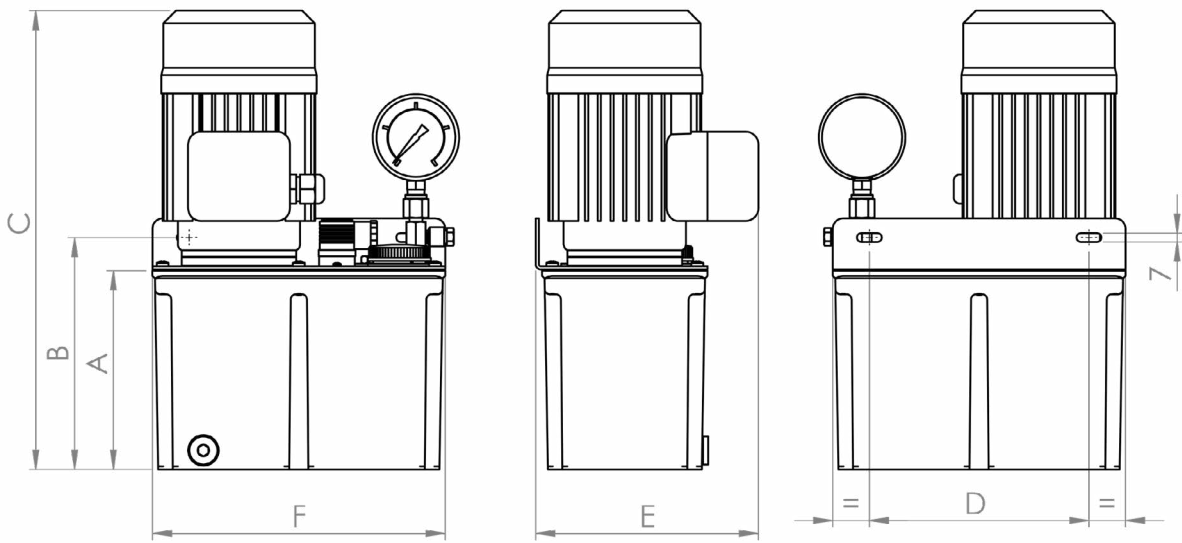
Code	Flow rate
00.866.1	150 CC / 1'
00.866.2	250 CC / 1'
00.866.3	500 CC / 1'

MPO with a metal tank

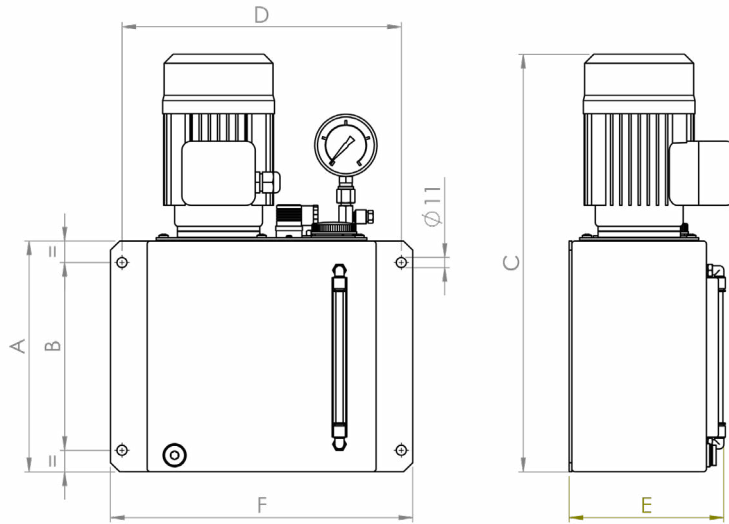
5 Litres	8 Litres	12 Litres	50 Litres	Flow rate
00.861.0	00.862.0	00.863.0	00.864.0	150 CC / 1'
00.861.1	00.862.1	00.863.1	00.864.1	250 CC / 1'
00.861.2	00.862.2	00.863.2	00.864.2	500 CC / 1'

Overall dimensions (mm)

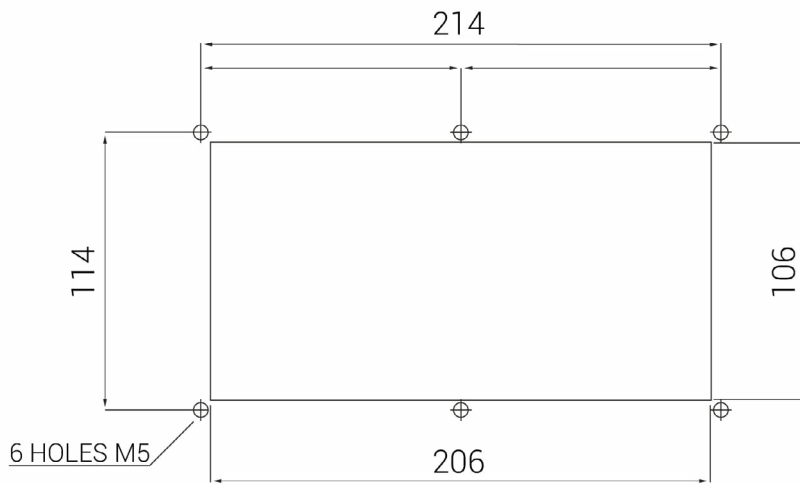
Tank	A	B	C	D	E	F
5 L	156	182	348	167	170	236
8 L	250	205	443	305	178	330
12 L	250	205	443	330	210	355
50 L	400	300	592	530	275	560



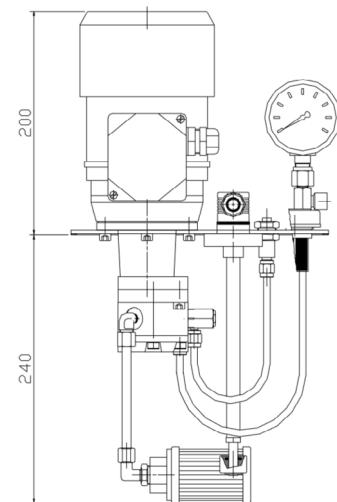
MPO 3-6 Litres (plastic)



MPO 5-8-12-50 Litres (metal)



Boring template for MPO without a tank



MPO Without a tank

**I.L.C. srl** - Via Garibaldi, 149 - 20155 Gorla Minore - Italy  
Phone +39 0331 601697 - Fax +39 0331 602001 - [www.ilclube.com](http://www.ilclube.com) - [info@ilclube.it](mailto:info@ilclube.it)

