

lubrication systems



DUAL-LINE SYSTEMS

Accessories

End line pressure switch - fittings - junction - piping



CONTENTS

End line pressure switch	4
Control unit	5
Pipes and clips	6
Junction blocks (dual line)	7
Junction block (single line)	8
Fittings DIN 2353	9
Fittings and Accessories	10

Impianti bilinea

I sistemi bilinea sono utilizzati su macchine di grandi dimensioni e riescono a lubrificare punti posizionati a distanze notevoli.

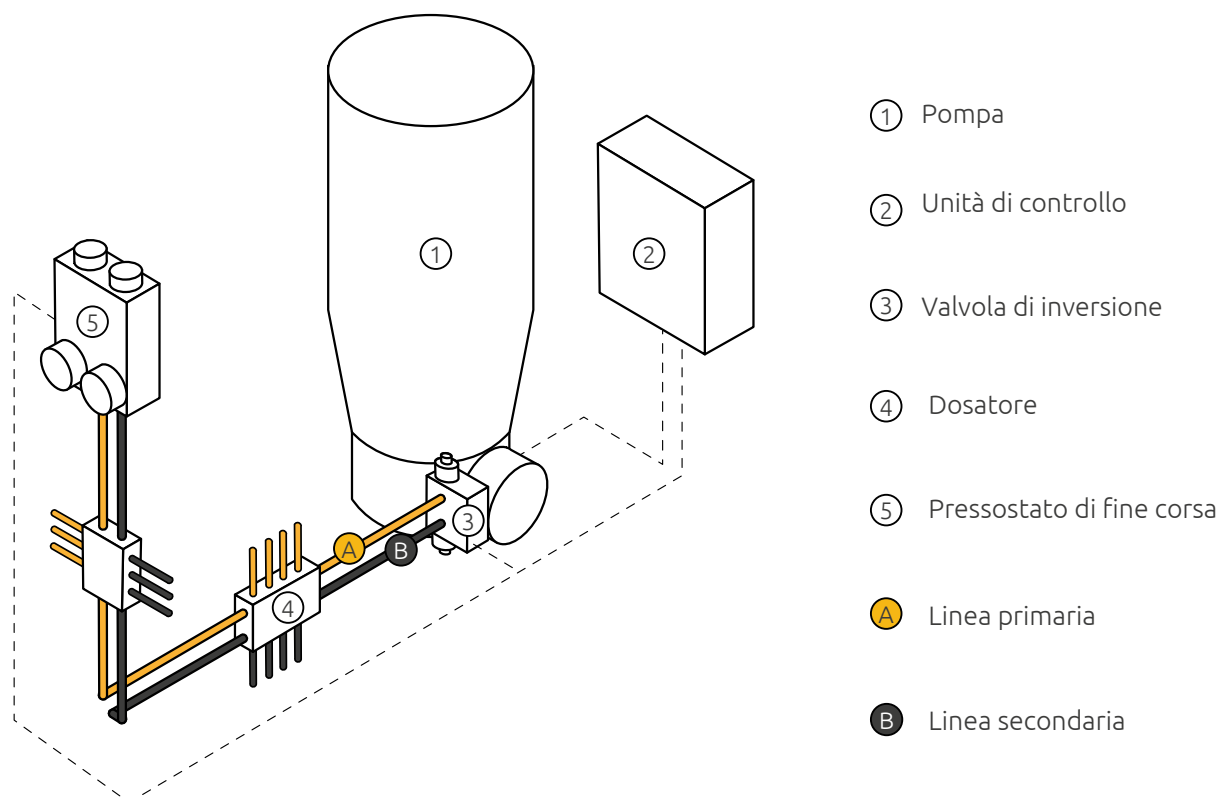
Struttura dell'impianto

Questi sistemi utilizzano due linee che si attivano in maniera alternata e sulle quali vengono posizionate le valvole di dosaggio. Una pompa che può vincere contro pressioni fino a 400 bar alimenta il sistema su due linee, una sarà in pressione e l'altra in scarico con il serbatoio (per mezzo di una valvola invertitrice). In alcuni casi è possibile installare un pressostato di fine linea. L'unità di controllo viene installata usualmente in prossimità della pompa.

Funzionamento dell'impianto

Il funzionamento si basa su un doppio ciclo alternato. Nel primo ciclo, il lubrificante viene pompato nella linea principale (A) muovendo i pistoni pilota e successivamente i pistoni dosatori in una direzione. Tutto il lubrificante che si trova sotto il pistone dosatore viene inviato al punto da lubrificare e nello stesso tempo riempie la camera superiore del pistone dosatore.

Quando si è raggiunta la pressione regolata sul pressostato o sull'invertitore idraulico la pompa manda in scarico la linea principale (A) verso il serbatoio e va a pompare sulla linea principale (B). I pistoni pilota e dosatori si muoveranno nella direzione opposta e così via.



End line pressure switch

5N.PFL.C / 5N.PFL.G



The pressure switch is generally installed upstream of the last lubricant distributor in the main pressure line. It checks the system is working properly.

It can send a signal when the system is done lubricating

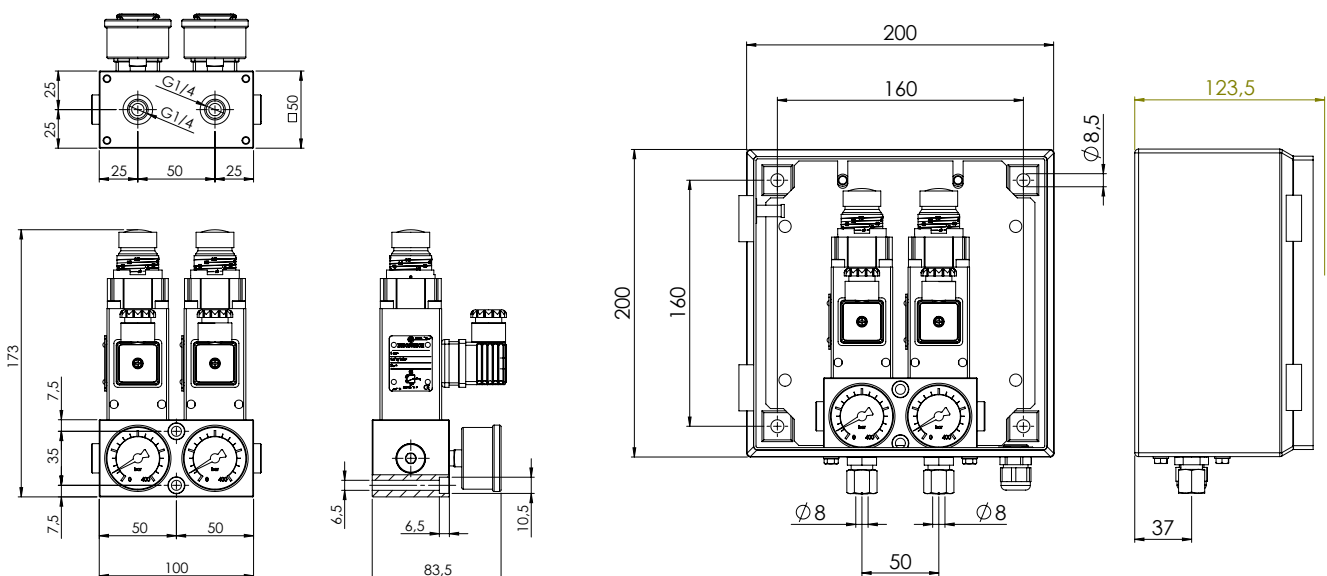
Dati tecnici

Body	Steel
Working range	40 – 400 BAR \pm 2%
Seals	Nbr + teflon
Protection rating	IP-65 connector in accordance to UNI EN 175301-803 (DIN43650)
Max fluid temperature	100° C
Electrical features	5 A / 14 VDC /125 VAC /250 VAC 4 A / 30 VDC
Fixed hysteresis	~10% of the set value
Max safety pressure	90 bar
Mechanical life	10 ⁶ Operations
Electrical contact	SPDT Silver

Ordering codes

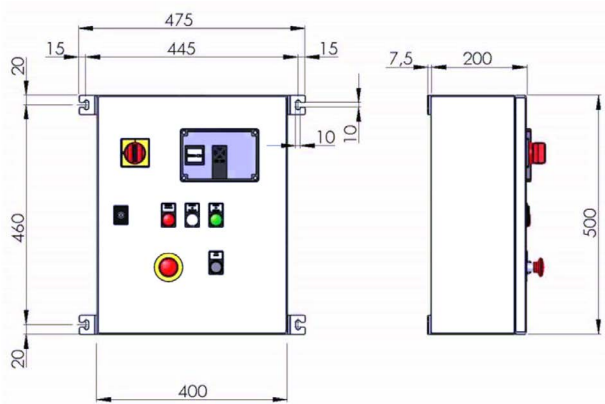
Boxed 5N.PFL.C

Unboxed 5N.PFL.G



Control unit

5N.TW..IN.CU



TW.IN-CU is a latest generation electrical device suitable for controlling double line lubrication systems in which you want to monitor and control all the functions.

All the functions and program choices are made via the front panel controls of the PLC on the outside of the closing door.

The electrical equipment operates by setting the machine pause or pulse time and a working time. The cycle consists of a pump start-up signal reception from the pressure switch line 1 or line 2 for inversion. If this signal is not received, an alarm is generated.

Start-up is also possible from an external pulse.

Power supply

Power supply on request. Possibility for a separated power for input and output circuits.

Controls

Dual line system control and remote for hydraulic inverter, min/max capacitive level (reed), continuous level ultrasound, thermal protection, remote alarm free contact, start/reset local/remote selector, pump-on remote contact.

Triggers and switches

Emergency button, main switch, door blocking switch.

Electric contacts

Additional terminal board, power contacts for inversion control (electromagnetic or electropneumatic), remote alarm free contact.

Structure

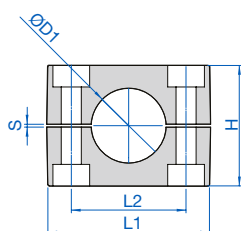
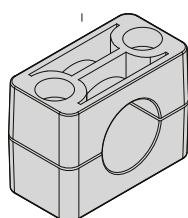
Painted steel box IP55.

Ordering Codes	Power Supply Voltage	Reversing valve power	Technical data	
5.CU.115.24	115 V	24 V DC	Power supply voltage	110V~ - 230V~ - 400V~ - 460V~
5.CU.230.24	230 V	24 V DC	Absorption	2 W (In Stop) - 10 W (In Start)
5.CU.480.24	480 V	24 V DC	Operating temperature	- 10 °C ÷ + 70 °C
5.CU.115.115	115 V	115 V	Storage temperature	- 20°C ÷ + 80 °C
5.CU.230.230	230 V	230 V	Operating humidity	90% max
			Frequency	50/60 Hz

Metallic tubes

Tube Ø	Steel	SS316.L
Ø 6 X 4	30.316.6	30.316.6.AISI
Ø 8 X 6	30.316.8	30.316.8.AISI
Ø 10 X 8	30.316.10	30.316.10.AISI
Ø 12 X 9	30.316.12	30.316.12.AISI
Ø 16 X 12	30.316.16	30.316.16.AISI
Ø 20 X 16	30.316.20	30.316.20.AISI
Ø 25 X 20	30.316.25	30.316.25.AISI
Ø 30 X 24	30.316.30	30.316.30.AISI

Single pipe clip



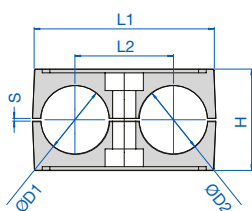
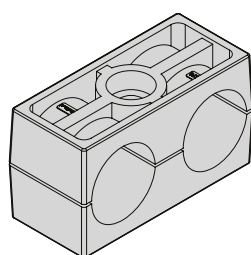
Single pipe clip with welding plate

Tube	Code clip	Code plate
Tube Ø 6 mm	TW.C2.06.PP	
Tube Ø 8 mm	TW.C2.08.PP	
Tube Ø 10 mm	TW.C2.10.PP	TW.08.P2.M6
Tube Ø 12 mm	TW.C2.12.PP	
Tube Ø 16 mm	TW.C2.6.PP	TW.08.P3.M6

Dimensions

	6	8	10	12	16
ØD1	6	8	10	12	16
L1	37	37	37	37	42
H	27	27	27	27	33

Twin pipe clip



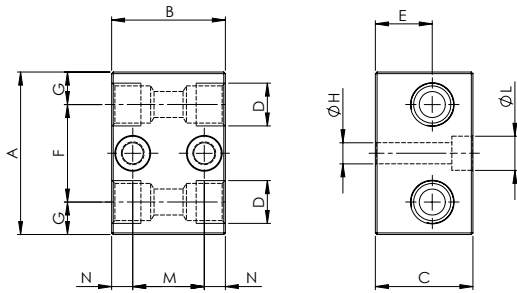
Twin pipe clip with welding plate

Tube	Code clip	Code plate
Tube Ø 10 mm	TW.CF1.10.PP	
Tube Ø 12 mm	TW.CF1.12.PP	TW.08.P.CF1
Tube Ø 16 mm	TW.CF2.16.PP	TW.08.P.CF2
Tube Ø 20 mm	TW.CF3.20.PP	
Tube Ø 25 mm	TW.CF3.25.PP	TW.08.P.CF3
Tube Ø 30 mm	TW.CF4.30.PP	TW.08.P.CF4

Dimensions

	10-10	12-12	16-16	20-20	25-25	30-30
ØD1	10-10	12-12	16-16	20-20	25-25	30-30
L1	36	36	53	67		81
H	27	27	29	37		42
L2	20	20	27	36		45

Stright dual line

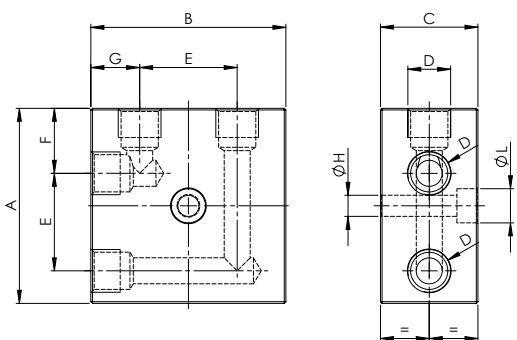


Steel	SS316.L	D
01.180.1	01.180.1.AISI	1/4" BSP
01.180.2	01.180.2.AISI	3/8" BSP

Dimensions

D	A	B	C	E	F	G	H	L	M	N
1/4" BSP	50	35	30	17,5	30	10	6,5	10,5	22	6,5
3/8" BSP	80	40	32	27	33	15	6,5	10,5	28	11

90° dual line

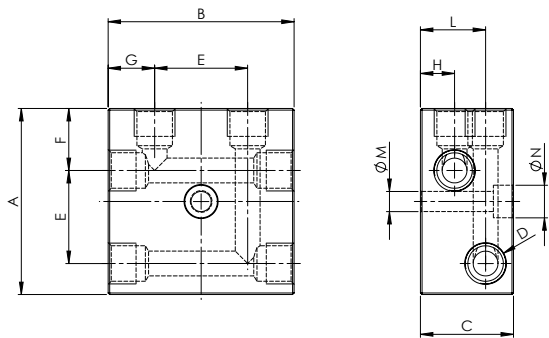


Steel	SS316.L	D
01.180.3	01.180.3.AISI	1/4" BSP
01.180.4	01.180.4.AISI	3/8" BSP

Dimensions

D	A	B	C	E	F	G	H	L
1/4" BSP	60	60	30	30	20	15	6,5	10,5
3/8" BSP	80	96	50	50	19	23	8,5	13,5

T dual line

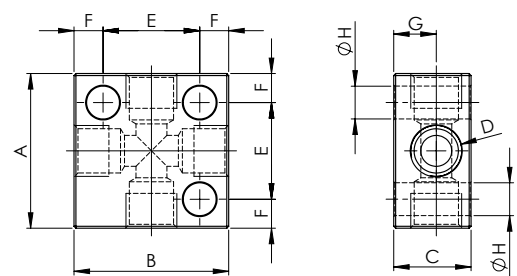


Steel	SS316.L	D
01.180.5	01.180.5.AISI	1/4" BSP
01.180.6	01.180.6.AISI	3/8" BSP

Dimensions

D	A	B	C	E	F	G	H	L	M	N
1/4" BSP	60	60	30	30	20	15	11	21	6,5	10,5
3/8" BSP	80	96	50	50	19	23	21,5	33,5	8,5	13,5

X dual line

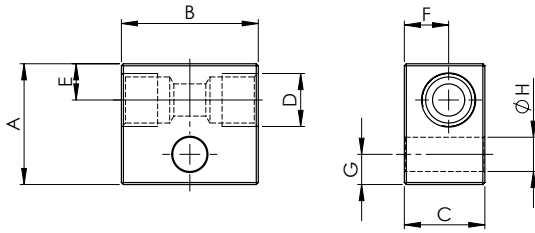


Steel	SS316.L	D
01.180.7	01.180.7.AISI	1/4" BSP
01.180.8	01.180.8.AISI	3/8" BSP

Dimensions

D	A	B	C	E	F	G	H	L	M	N
1/4" BSP	60	70	30	30	15	20	11	21	6,5	10,5
3/8" BSP	100	96	50	50	25	23	21,5	33,5	8,5	13,5

Stright single line

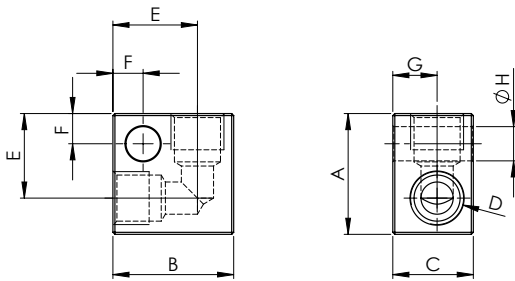


Steel	SS316.L	D
01.180.9	01.180.9.AISI	1/4" BSP
01.181.0	01.181.0.AISI	3/8" BSP

Dimensions

D	A	B	C	E	F	G	H
1/4" BSP	30	34	20	9	11	7,5	8,5
3/8" BSP	40	45	25	15	12,5	7,5	8,5

90° single line

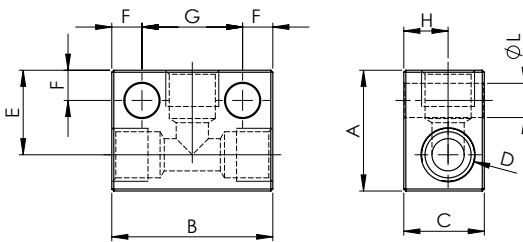


Steel	SS316.L	D
01.181.1	01.181.1.AISI	1/4" BSP
01.181.2	01.181.2.AISI	3/8" BSP

Dimensions

D	A	B	C	E	F	G	H
1/4" BSP	30	30	20	21	7,5	11	8,5
3/8" BSP	40	40	30	28	7,5	15	8,5

T single line

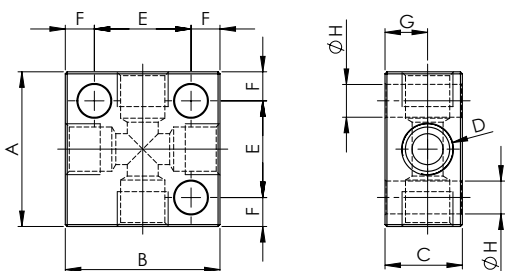


Steel	SS316.L	D
01.181.3	01.181.3.AISI	1/4" BSP
01.181.4	01.181.4.AISI	3/8" BSP

Dimensions

D	A	B	C	E	F	G	H
1/4" BSP	40	40	20	25	7,5	11	8,5
3/8" BSP	50	50	30	35	7,5	15	8,5

X single line



Steel	SS316.L	D
01.181.5	01.181.5.AISI	1/4" BSP
01.181.6	01.181.6.AISI	3/8" BSP

Dimensions

D	A	B	C	E	F	G	H	L
1/4" BSP	30	40	20	21	7,5	25	11	8,5
3/8" BSP	40	50	30	28	7,5	35	15	8,5

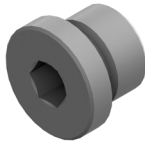
Stright fitting



			Main line	
Tube Ø	Thread	Steel	SS316.L	
12 mm	3/8" BSP	TW.100517	TW.110517	
16 mm	3/8" BSP	TW.100537	TW.110537	

			Outlet line	
Tube Ø	Thread	Steel	SS316.L	
6 mm	1/4" BSP	TW.100524	TW.110524	
8 mm	1/4" BSP	TW.100505	TW.110505	
10 mm	1/4" BSP	TW.100506	TW.110506	

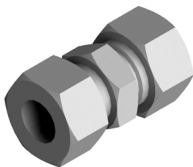
Plug with seals



			Main line	
Thread	Steel	SS316.L		
3/8" BSP	TW.107603	TW.117603		

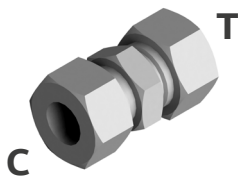
			Outlet line	
Thread	Steel	SS316.L		
1/4" BSP	TW.107602	TW.117602		

Junction fittings



			Junction straight fitting	
Tube Ø	Steel	SS316.L		
6 mm	TW.103504	TW.113504		
8 mm	TW.103505	TW.113505		
10 mm	TW.103506	TW.113506		
12 mm	TW.103507	TW.113507		
16 mm	TW.103519	TW.113519		
20 mm	TW.103520	TW.113520		
25 mm	TW.103521	TW.113521		
30 mm	TW.103522	TW.113522		

			Reduction fitting	
Tube Ø T	Tube Ø C	Steel	SS316.L	
16 mm	12 mm	TW.104130	TW.114130	
20 mm	12 mm	TW.104133	TW.114133	
20 mm	16 mm	TW.104134	TW.114134	
25 mm	16 mm	TW.104135	TW.114135	
25 mm	20 mm	TW.104136	TW.114136	
30 mm	20 mm	TW.104137	TW.114137	
30 mm	25 mm	TW.104138	TW.114138	



T junction fitting



Junction T fitting

Tube Ø	Steel	SS316.L
6 mm	TW.103904	TW.113904
8 mm	TW.103905	TW.113905
10 mm	TW.103906	TW.113906
12 mm	TW.103907	TW.113907
16 mm	TW.103919	TW.113919
20 mm	TW.103920	TW.113920
25 mm	TW.103921	TW.113921
30 mm	TW.103922	TW.113922



Reduction T fitting

Tube Ø T	Tube Ø C	Steel	SS316.L
16 mm	12 mm	TW.104551	TW.114551
20 mm	12 mm	TW.104554	TW.114554
20 mm	16 mm	TW.104555	TW.114555
25 mm	16 mm	TW.104557	TW.114557
25 mm	20 mm	TW.104558	TW.114558

Elbow junction



Tube Ø	Steel	SS316.L
6 mm	TW.103804	TW.113804
8 mm	TW.103805	TW.113805
10 mm	TW.103806	TW.113806
12 mm	TW.103807	TW.113807
16 mm	TW.103819	TW.113819
20 mm	TW.103820	TW.113820
25 mm	TW.103821	TW.113821
30 mm	TW.103822	TW.113822

Fitting for point



Stright

Tube Ø	Thread	Steel	SS316.L
6 mm	1/8" BSP	TW.100504	TW.110504
8 mm	1/8" BSP	TW.100525	TW.110525



90°

Tube Ø	Thread	Steel	SS316.L
6 mm	1/8" BSP	TW.102004	TW.112004
8 mm	1/8" BSP	TW.102025	TW.102025

I.L.C. srl - Via Garibaldi, 149 - 20155 Gorla Minore - Italy
Phone +39 0331 601697 - Fax +39 0331 602001 - www.ilclube.com - info@ilclube.it

