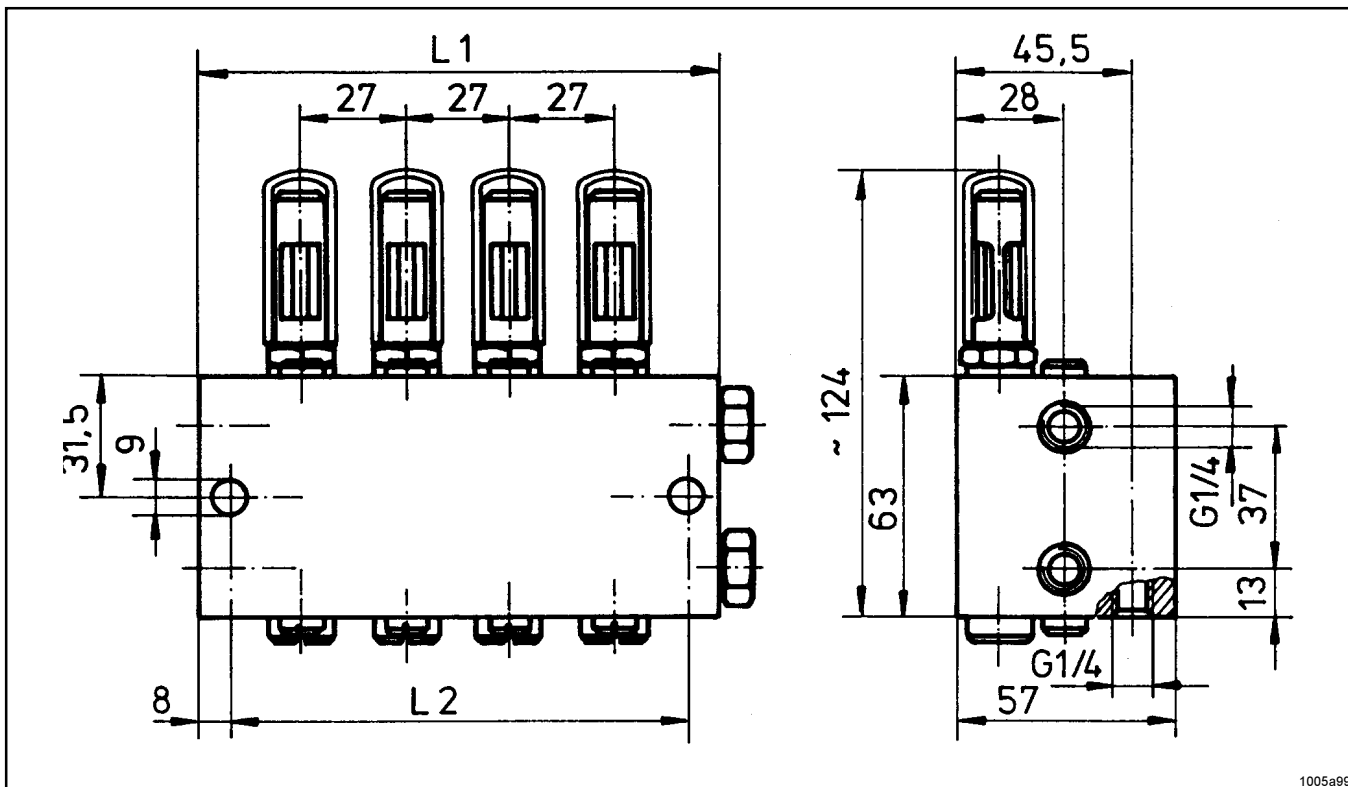


**Data sheet**

Metering devices model VSKH-KR



1005a99

Model	VSKH2-KR	VSKH4-KR	VSKH6-KR	VSKH8-KR
L1	52	80	108	136
L2	36	64	92	120

**Technical data::**

Output volume: Q = 0-1,5 cm<sup>3</sup>/stroke, adjustable  
 Operating pressure: p max = 400 bar  
 p min = 35 bar

Main line connection: G 1/4  
 Feed line connection: G 1/4

Subject to modifications

## Description operation

### Metering devices VSKH-KR

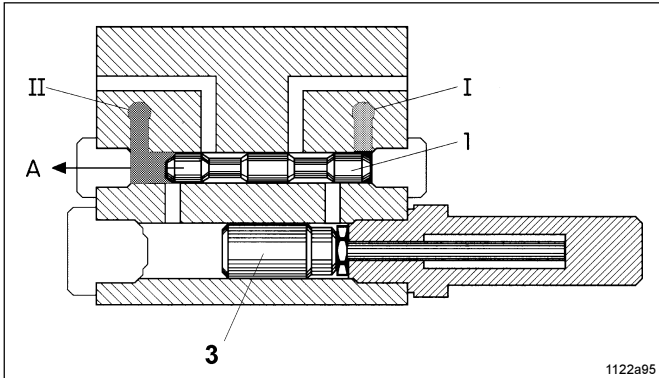


Fig. 1

#### Stage 1

Pressurised lubricant is supplied to the metering device via main line I. The control piston (1) starts moving in the direction of arrow A, displacing the lubricant in front of the control piston into the relieved main line II.

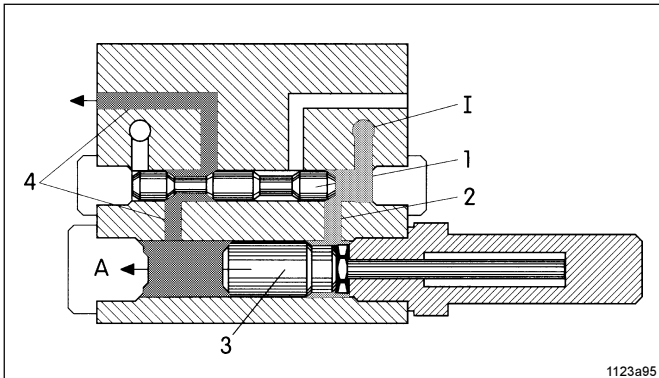


Fig. 2

#### Stage 2

When the control piston (1) uncovers the connecting passage (2) lubricant is transferred to the right end of the dispensing piston (3), thereby displacing it to the left in the direction of arrow A.

The lubricant volume ahead of the dispensing piston is transferred via the connection passage (4) to the lubrication point. With the dispensing piston in its terminal position, the pressure in main line I will continue to rise to reach the preset change-over pressure of the two-line system. At this stage, the change-over valve of the system operates to connect main line I which has so far been under pressure to the lubricant reservoir of the lubrication pump and the lubricant in main line I is depressurized.

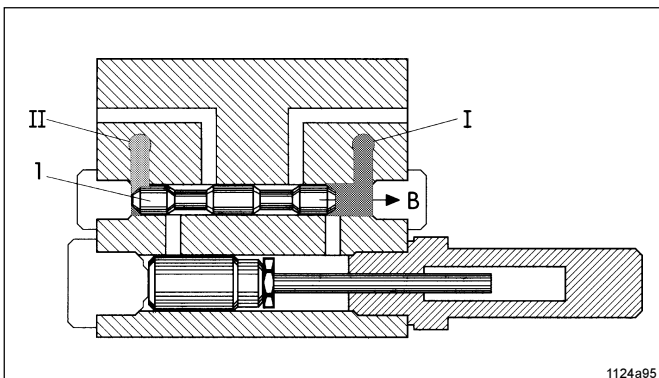


Fig. 3

#### Stage 3

At the same time the change-over valve connects main line II to the lubrication pump, thus pressurizing the lubricant in this main line. The control piston (1) moves in the direction of arrow B, displacing the lubricant ahead of the control piston into the relieved main line I.

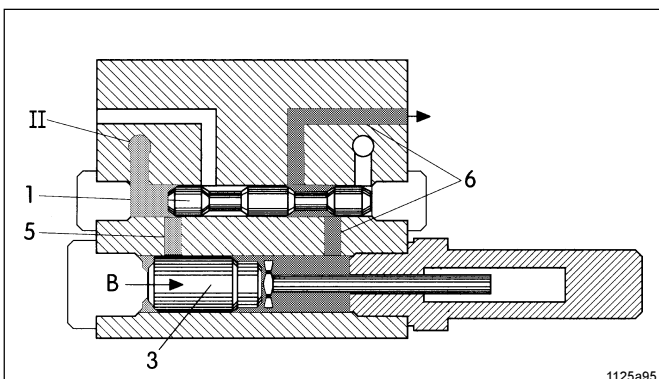
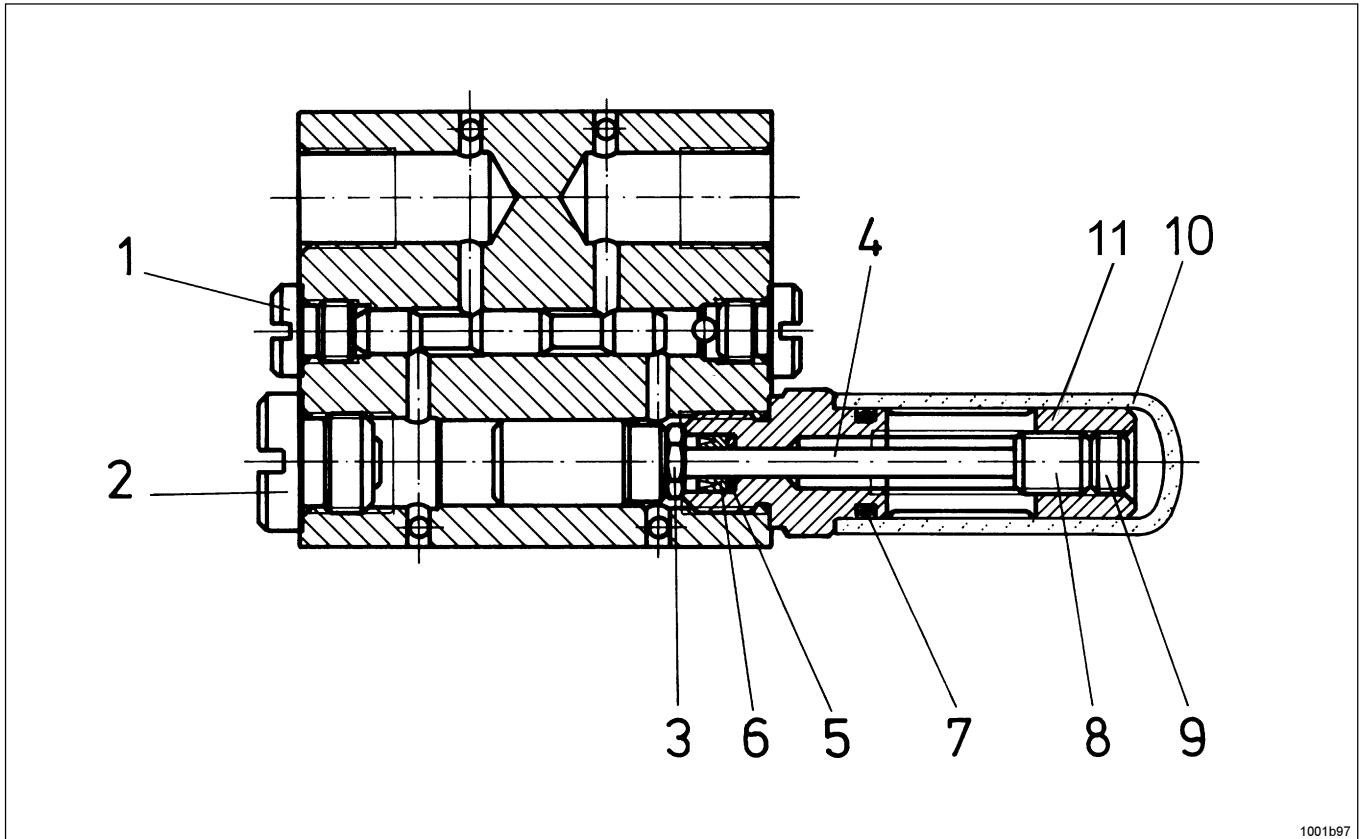


Fig. 4

#### Stage 4

When the control piston (1) uncovers the connecting passage (5) lubricant is transferred to the left end of the dispensing piston (3) and displaces it to the right in the direction of arrow B. The lubricant ahead of the dispensing piston (3) is transferred via the connecting passage (6) to the lubrication point. With the dispensing piston (3) in its terminal position, the pressure in main line II will continue to rise to reach the preset change-over pressure of the two-line system. At this stage, the change-over valve will once again cause a pressure changing-over in main lines I and II and the cycle will be repeated as described in stage 1.

Spare parts VSKH-KR/KRVA



1001b97

Spare parts list VSKH-KR

Spare parts list VSKH-KRVA

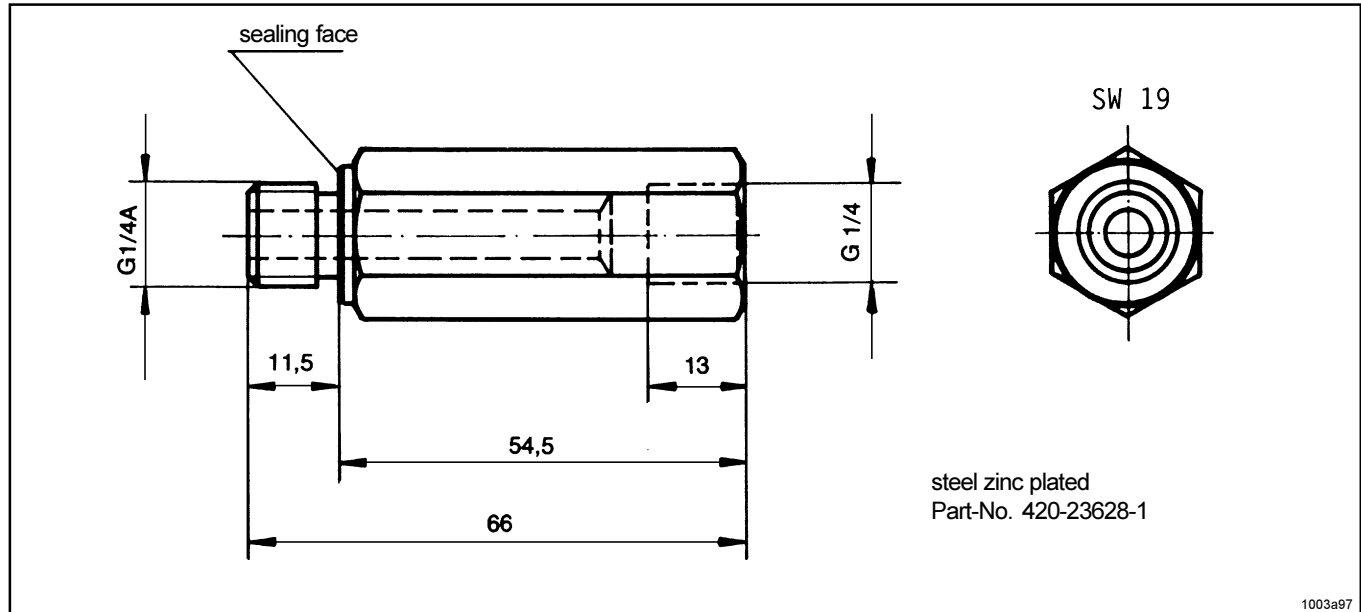
Item	Description	Part-No.	Item	Description	Part-No.
1	closure plug	303-19327-1	1	closure plug	303-19327-1
2	closure plug	303-19326-1	2	closure plug	303-19326-1
3	holding screw	420-22351-3	3	holding screw	420-22351-3
4	pin	301-17351-4	4	pin	301-17351-4
5	support ring	*	5	support ring	*
6	u-cup sealing ring	*	6	u-cup sealing ring	*
7	O-ring	219-12223-4	7	O-ring	219-12223-4
8	screw pin	204-12538-3	8	screw pin, stainless steel	204-12538-4
9	screw pin	204-12111-3	9	screw pin, stainless steel	204-12111-4
10	protection cap	420-23569-1	10	protection cap	420-23569-1
11	adjusting sleeve assembly including items 5, 6, 7 with polyurethan u-cup sealing ring with viton u-cup sealing ring	520-30828-1 520-31887-1	11	adjusting sleeve (1.4305) assembly including items 5, 6, 7 with polyurethan u-cup sealing ring with viton u-cup sealing ring	520-30880-1 520-32031-1
	adjusting device assembly including items 11, 8, 9, 10 with polyurethan u-cup sealing ring with u-cup sealing ring	520-36076-9 520-36700-3		adjusting device (1.4305) assembly including items 11, 8, 9, 10 with polyurethan u-cup sealing ring with u-cup sealing ring	520-36700-1 520-36700-8

\* Not available as single parts, included in item 11

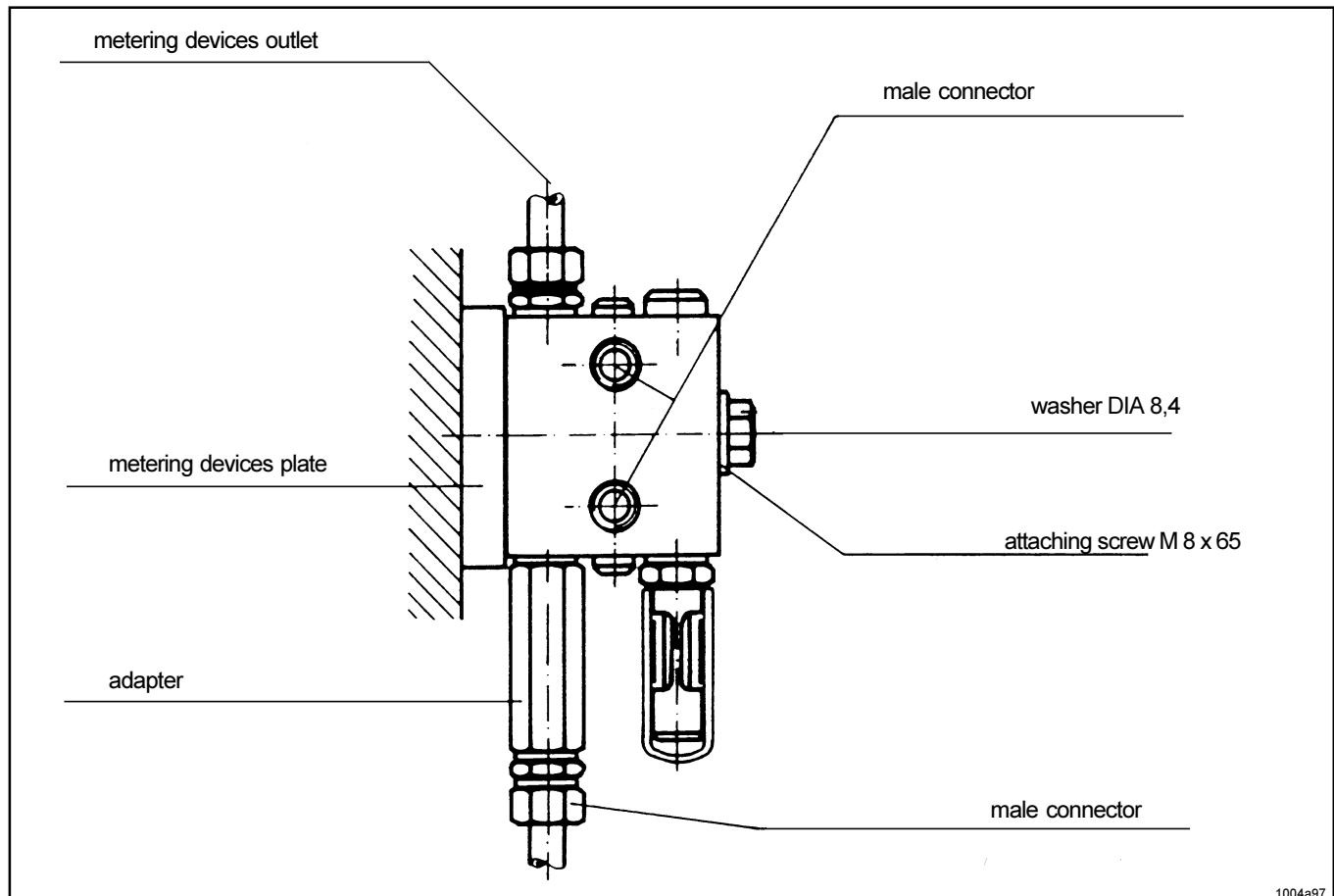
\* Not available as single parts, included in item 11

Subject to modifications

Example of installation of metering devices VSKH-KR

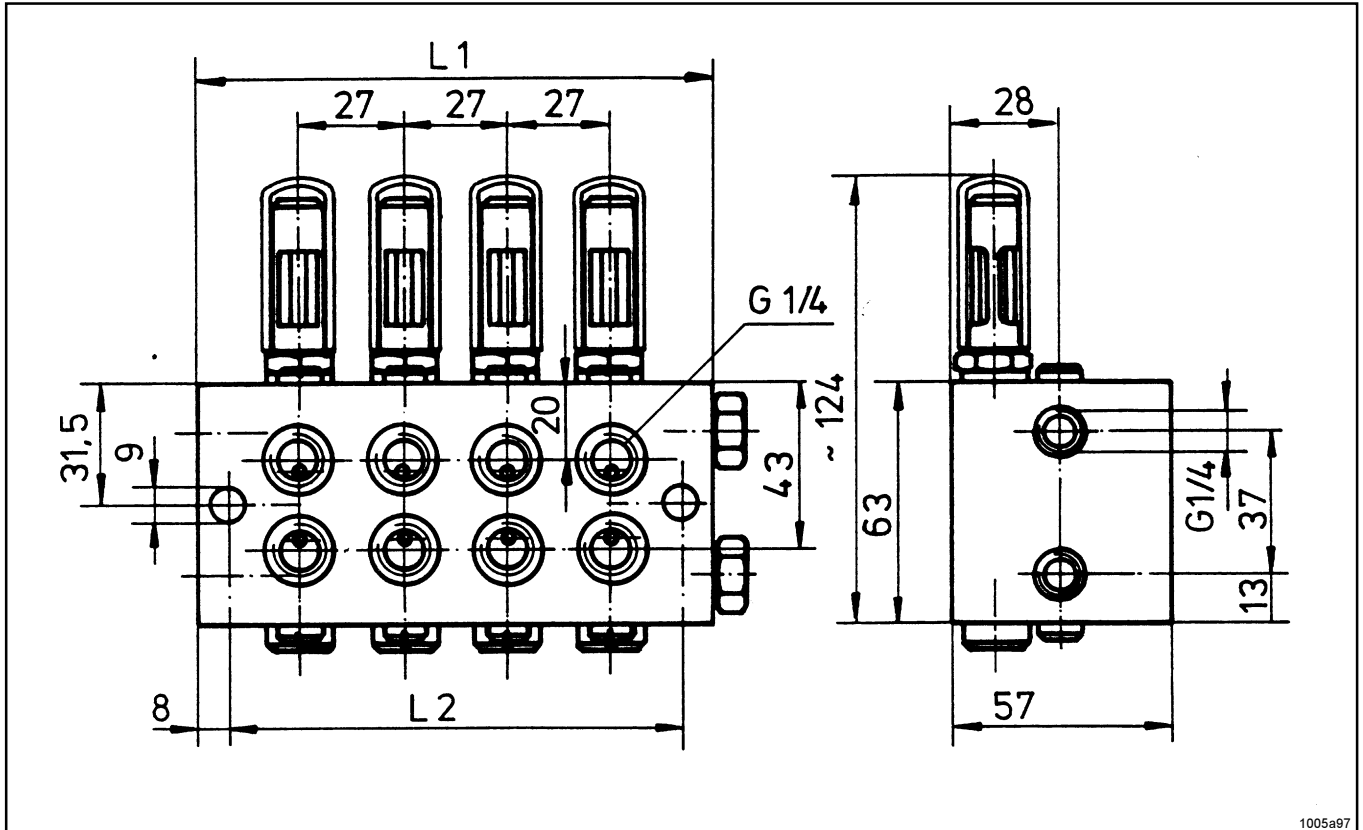


Adapter for metering devices VSKH-KR



Subject to modifications

Data sheet  
 Metering devices model VSKV-KR



1005a97

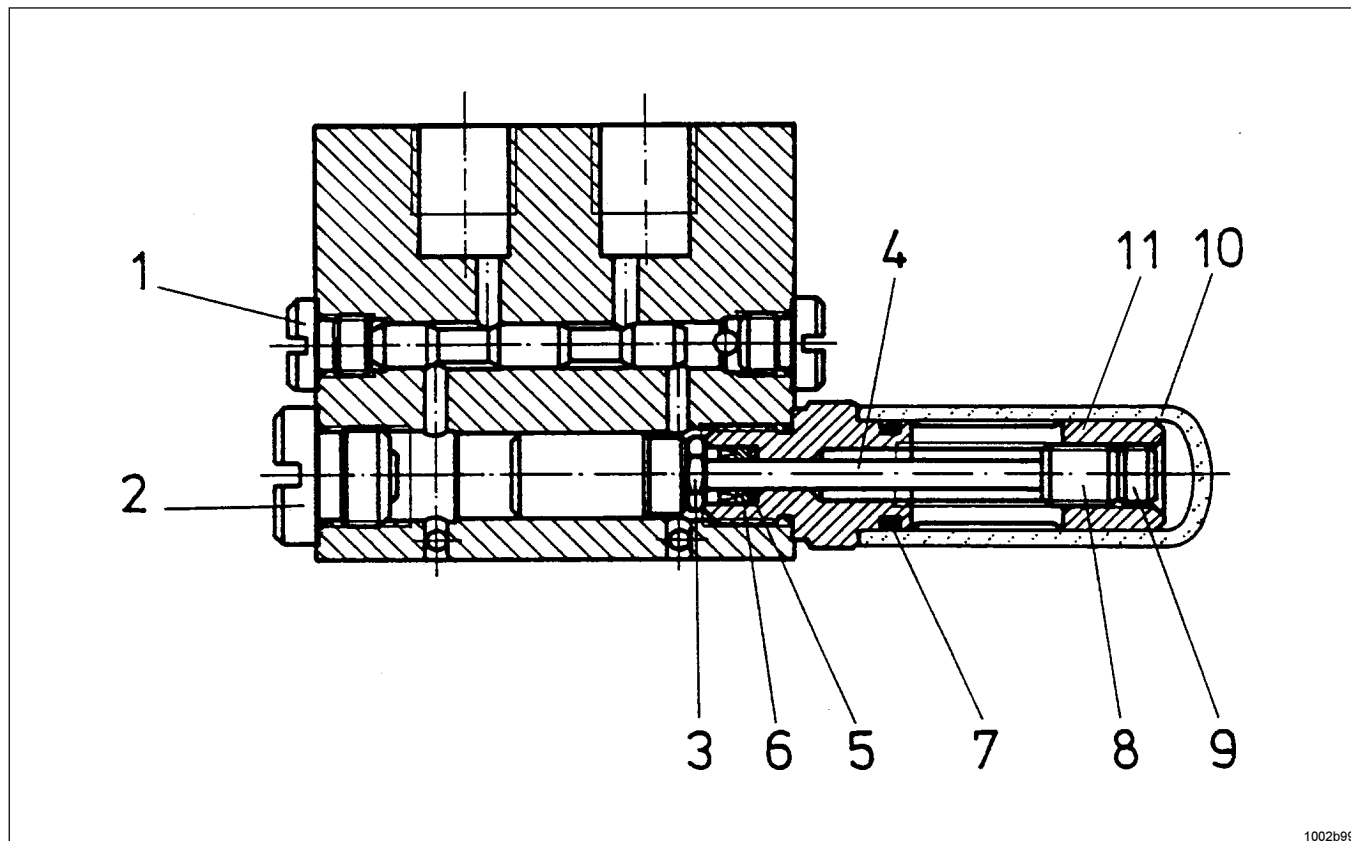
Model	VSKV2-KR	VSKV4-KR	VSKV6-KR	VSKV8-KR
L1	52	80	108	136
L2	36	64	92	120

Technical data::

Output volume: Q = 0-1,5 cm<sup>3</sup>/stroke, adjustable  
 Operating pressure: p max = 400 bar  
 p min = 35 bar  
 Main line connection: G 1/4  
 Feed line connection: G 1/4

Subject to modifications

Spare parts VSKV-KR/KRVA



1002b99

Spare parts list VSKV-KR

Item	Description	Part-No.
1	closure plug	303-19327-1
2	closure plug	303-19326-1
3	holding screw	420-22351-3
4	pin	301-17351-4
5	support ring	*
6	u-cup sealing ring	*
7	O-ring	219-12223-4
8	screw pin	204-12538-3
9	screw pin	204-12111-3
10	protection cap	420-23569-1
11	adjusting sleeve assembly including items 5, 6, 7 with polyurethan u-cup sealing ring with viton u-cup sealing ring	520-30828-1 520-31887-1
	adjusting device assembly including items 11, 8, 9, 10 with polyurethan u-cup sealing ring with u-cup sealing ring	520-36076-9 520-36700-3

Spare parts list VSKV-KRVA

Item	Description	Part-No.
1	closure plug	303-19327-1
2	closure plug	303-19326-1
3	holding screw	420-22351-3
4	pin	301-17351-4
5	support ring	*
6	u-cup sealing ring	*
7	O-ring	219-12223-4
8	screw pin, stainless steel	204-12538-4
9	screw pin, stainless steel	204-12111-4
10	protection cap	420-23569-1
11	adjusting sleeve (1.4305) assembly including items 5, 6, 7 with polyurethan u-cup sealing ring with viton u-cup sealing ring	520-30880-1 520-32031-1
	adjusting device (1.4305) assembly including items 11, 8, 9, 10 with polyurethan u-cup sealing ring with u-cup sealing ring	520-36700-1 520-36700-8

\* Not available as single parts, included in item 11

\* Not available as single parts, included in item 11

Subject to modifications