

QLS 301 Lubrication System



4197a99

Ordenar manual en español: página 26/28
Pour la commande de ce manuel en français, voir page 26/28

810-55230-1

Table of Contents

Safety Instructions	2	Malfunction/low level indication	11
Installation Instructions	3	Monitoring relay	11
Pump	3	Setting and operation	
SSV Divider Block	3	of the QLS 301	12
Crossporting of the SSV Divider Block	3	Display mode	12
Check valves	4	Operating mode	13
Feedback of supplied lubricant	4	Programming mode	14
Lube points	4	Maintenance, Repair and Test	15
Installing Zerk-Locks onto grease fittings	4	Maintenance	15
Connecting Feed Lines	5	Refilling reservoir	15
Filling of reservoir	5	Repair	15
Setting of lubrication cycle time interval	5	Functional Test	15
QLS 301 Selection Guide	6	Troubleshooting	16
Electrical Connection Diagrams	7	Technical Data	19
Description of QLS 301	9	Dimensions	20
Operating of QLS 301	9	Service Part of the QLS 301	22
Pressure relief valve	10	Manufacturer's declaration	26
Pump Display Window	10		
Monitoring time/malfunction	10		
Acknowledging the malfunction	11		
Low-level control	11		
Acknowledging the low level indication	11		

Explanation of symbols:
 • = explanation
 * = describes an action
 - = listing within a section

Safety Instructions

Appropriate Use

- Use QLS 301 only for the delivery of lubricants. The pump is designed for intermittent operation. QLS 301 is designed of supplying lubricant to a **maximum of 18 lube points per cycle**.
- Do not use QLS 301 with SSV block in bottom mounting position for mobile applications. **Don't install the pump in areas exposed to shock.**

General safety Instructions

- Do not over pressurize reservoir when filling the pump. Refill QLS 301 pump with clean lubricant.
- Incorrect use may result in bearing damage caused by poor or over-lubrication.
- Each outlet used must be equipped with an appropriate check valve see page 4, Fig.3.
- Don't paint pump 301. Before painting machine or commercial vehicle remove or cover the complete pump.
- Unauthorized modifications or changes to an installed system are not recommended and will void warranty. Any modifications must be subject to prior consultation with the manufacturer of the QLS 301.

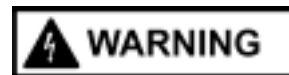
Regulations for prevention of accidents

- To prevent accidents, observe all city, state and federal safety regulation of the country in which the product will be used.

Operation, Repair and Maintenance

- Repairs should only be performed by authorized personnel who are familiar with the instructions.

- QLS 301 must only operate with mounted or connected SSV divider blocks.
- Pump must be regularly refilled with clean lubricant.



For pumps with 120 VAC and 230 VAC, switch off the power supply before beginning maintenance or repair work.

- QLS 301 operates automatically. However, a regular check (approximately every 2 weeks) should be made to ensure that lubricant is being dispensed from all lubricant points.
- Used or contaminated lubricants must be disposed of in accordance with local environmental regulations, see technical data sheets of lubricants.
- The manufacturer of the centralized lubrication system will not accept any liability for:
 - damage due to the use of greases which are not or are only conditionally pumpable in centralized lubrication systems.
 - damage caused by insufficient lubricant and irregular refilling of pump.
 - damage caused by the use of contaminated lubricants.
 - damage caused by inadequate disposal of used or contaminated lubricants.
 - damage caused by unauthorized modification of system components.
 - damage caused by the use of unapproved parts (voids the pump warranty).

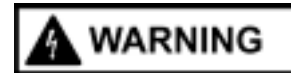
Subject to modifications

Installation

- Do not remove, modify or alter any safety equipment already installed on the machine.
- QLS 301 pump must be kept away from the sources of heat (see Operating Temperature Specification).
- Follow installation instructions of the OEM regarding minimum distances between the drilled holes and welding procedures.
- Use following recommendations to select an installation location:
 - Keep the feed lines as short as possible.
 - Provide access to fill, clean and visually monitor the pump operation.
- Installing QLS 301 pump with the reservoir upright is preferred, but pump may be installed with the reservoir in horizontal without affecting its operation.



- The QLS 301 may only be installed by qualified personnel. The connection (N/L/PE) of the supply voltage must be made according to VDE 0100 and VDE 0160.
- Install a protective and lock out device for isolating and disconnecting the QLS 301. Before beginning the installation work, disconnect the electrical supply .



- Failure to observe the safety instructions, e. g. touching electrically charged parts when the system is opened, or improper handling of the QLS 301 may **cause serious injury or death**.
- If the values specified in the Technical Data are exceeded, the device may overheat. It may damage the QLS 301 and thus impair the electric safety.

Installation Instructions

Pump

SSV Divider Block

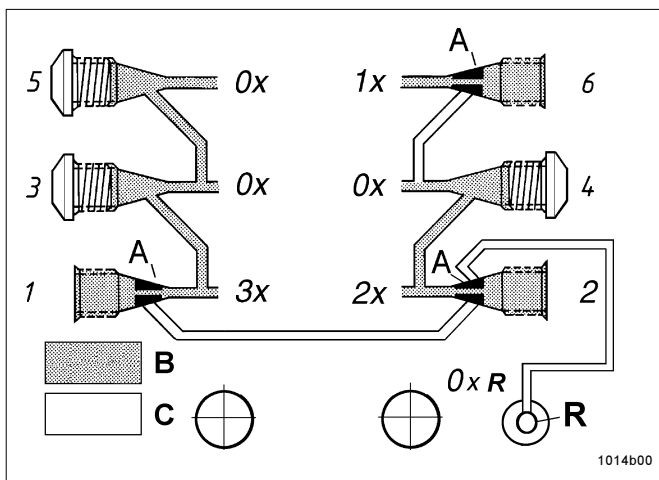


Fig.1 - Single double and triple lubricant output, on back side mouted divider blocks

x -Outlet quantity (single, double, etc.)
 1... 6 Outlet numbers C - Enclosed grease
 A - Clamping ring (brass) R - Return to reservoir
 B - Grease supply

- Use drilling template to mark and drill mounting holes of the QLS 301. Drilling template and mounting bolts are included in the package.

Crossporting of the SSV divider blocks

- The outlets of the SSV divider block can be combined to increase the amount of lubricant for a particular outlet. To do this, simply plug the unused outlets with the closure plug (see Fig. 2), provided in the accessory kit.
- Lubricant from a plugged outlet is redirected to the next outlet on the same side of the SSV divider block in descending numerical order (see Fig.1). For instance plugging outlets 5 and 3 will triple the amount of lubricant at outlet 1.
- Unused lubricant can be internally feed back to the resevoir, see paragraph "direct internal feed back feature"



- **Do not plug outlet numbers 1 and 2** on SSV 8, 12 and 18 of pump models with SSV divider block installed on the bottom.



Fig. 2 - Closure plug, also provided in the accessory kits

- * Install a closure plug in each outlet port hole which is not required, see Fig. 1 or 4.

Subject to modifications

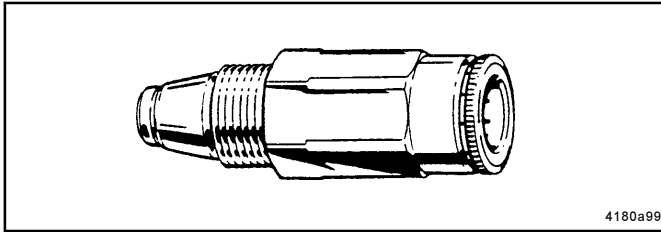


Fig. 3 -Check valve, push-in type

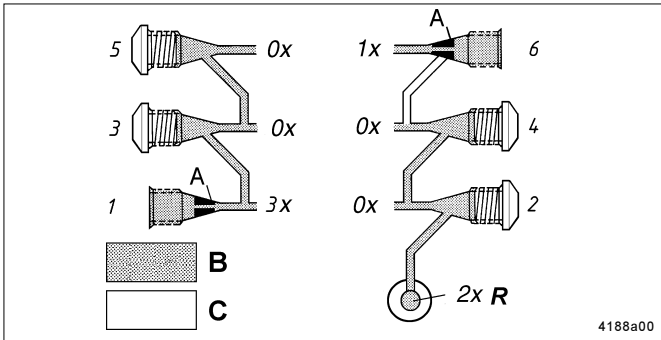


Fig. 4 - Internal feedback of supplied lubricant, only on back-side mounted SSV divider blocks (up to serial No. 998000099C/001)

x -Outlet quantity (single, double, etc.)
1... 6 Outlet numbers

A - Clamping ring (brass)
B - Grease supply
C - Enclosed grease
R - Return line borehole

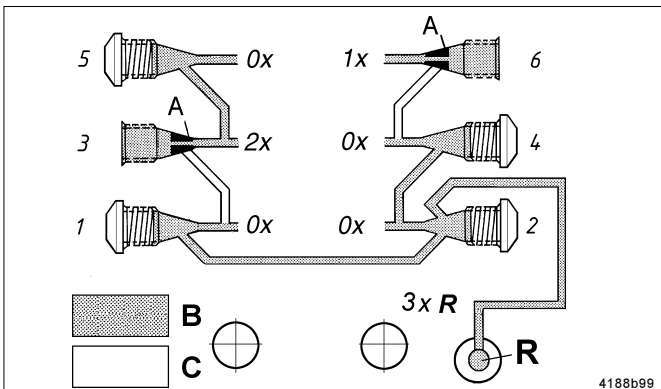


Fig. 5 - Internal feedback of supplied lubricant, only on back-side mounted SSV divider blocks (from serial No. 998000100C/001)

x -Outlet quantity (single, double, etc.)
1... 6 Outlet numbers

A - Clamping ring (brass)
B - Grease supply
C - Enclosed grease
R - Return line borehole

Lubrication points



Fig. 6 - Place the Zerk-Lock body over the grease fitting



Fig. 7 - Installation of Zerk-Locks with staking tool

Check valves

- * Install one complete check valve in each outlet port hole which will be used, see Fig. 1 and 4.
- * For feedlines (dia. 6x1.5 mm, 1/4" I.D., provided in the accessory kits) use check valves with standard collar and knurled flange.

Direct (internal) feedback feature

- All pumps with the **back mounted SSV divider block**, have the capability to feed back unused lubricant from closed outlets directly to the reservoir internally (see R Fig. 4, 5).
 - The pumps up to serial No. 998000099C/001* and pre serial numbers 9910006711/004* have capability to feed back the lubricant directly to the reservoir only from even outlets, see Fig. 4. For instance on a SSV 6 divider block, the outlets 2, 4, 6 are closed.
- Important:** Never close outlet 1.

- * All pumps from serial No. 998000100C/001* have capability to feed back the lubricant directly to the reservoir from even and odd outlets via channel from outlet 1 to outlet 2. The outlet 2 should be closed with a closure plug (see Fig. 2).
- Start closing of outlets by the smallest outlet number, for instance 2, 4, 6 on even side or 1, 3, 5 on odd side plus outlet 2.
- For instance (see Fig. 5) the lubricant from outlets 1, 2 and 4 will be internally feed back to the reservoir, outlet 3 will have double amount and outlet 6 will have single amount of lubricant.

Important: To change the outlet 2 for bearing lubrication, replace closure plug with check valve (Fig. 3), then never close outlet 1, see Fig. 1.

Note: To feed back unneeded lubricant quantities from bottom - side mounted divider block to the reservoir, connect unneeded outlet via feedline to plug 5 (Fig. 15) for external return line.

Installing Quicklinc fittings into lube points (for metric size accessory kits only)

- * Remove hydraulic lube fittings from lube points and install appropriate Quicklinc-fittings into the bore holes of the lube points.

Installing Zerk-Locks onto grease fittings (for inch size accessory kits only)

- The Zerk-Lock fitting consists of the Zerk-Lock body, insert and a Quicklinc fitting.
- * Place the Zerk-Lock body over the grease fitting and place the staking tool firmly against the Zerk-Lock insert. (Staking tool is included in the accessory kits, see page 8).
- * Strike the tool sharply with a hammer until the Zerk-Lock insert partially crimps onto the grease fitting.
- * Refer to the serial numbers on the pump name plate

Subject to modifications

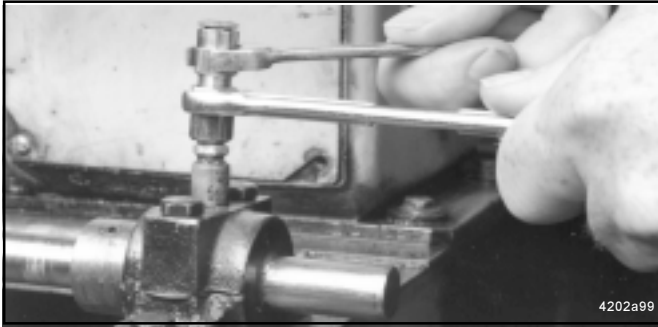


Fig. 8 - Screwing Quicklinc fitting into the Zerk-Lock body

Connection of Feed Lines

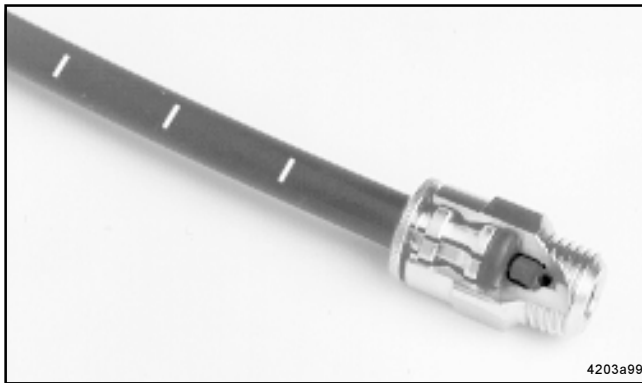


Fig. 9 - Feedline installed in the Quicklinc fitting

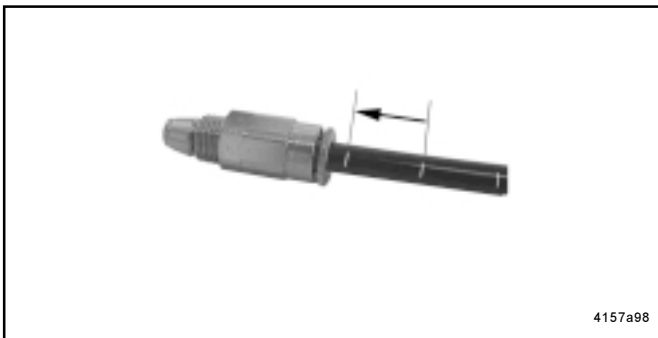


Fig. 10 - Feedline insert into the fitting up to the next white mark



Fig. 11 - Vent hole on reservoir

* Screw the Quicklinc fitting into the Zerk-Lock body and tighten until parts resist further tightening (about 1-1/2 turns).

Note: Quicklinc hex. is 12 mm. Zerk-Lock body hex is 1/2".

* Move the Zerk-Lock and tube fitting from side to side on the grease fitting to insure the Zerk-Lock is firmly seated.

- Measure, cut and route the feedlines included in the kit. Avoid sharp bends of the plastic tubing and the moving parts of the machine that could damage the lubrication lines. Minimum bending radius is 50 mm (2 in).
- Secure the lubrication lines to the machine using nylon ties, clamps or straps provided in the accessory kit.
- Cut the pressure plastic tube off at one of the white lines before it is mounted. Then insert the plastic pressure tube into the fitting up to the next white mark. This will ensure a correct installation of the pressure plastic tube in the threaded tube fitting.
- If the lines are not primed, prime all lubrication feedlines before connecting them to the Zerk-Locks.
- Connect feedlines (dia. 6x1.5 mm, 1/4") from the check valves directly to existing grease fittings using the Zerk-Lock fittings included with the accessory kit.

Note: Push the end of the line firmly into the Quicklinc fitting until it is fully seated in the body. The primed feedlines are marked with white lines (Fig.9, 10) as an installation aid.

- * Cut the feedline off at one of the white lines before it is mounted.
- * Then insert the feedline into the fitting up to the next white mark.
- * This will ensure a correct installation of the feedline in the tube fitting.

Filling of reservoir

* Fill the reservoir with clean suitable lubricant.

CAUTION

- * Expel all air from under follow plate. Make sure that the follower plate seal moves above the vent hole to ensure that all air pockets are vented.
- When filling the reservoir by means of pumps with a large delivery volume do not exceed the max. filling mark. Risk of bursting if the reservoir is overfilled.

Setting of lubrication cycle time interval

* Set the lubrication cycle time interval (see page 13).

Subject to modifications

QLS 301 Selection Guide

Pump models

Examples of part numbers

P30100810111
 P30162410151
 P301 6 2 4 1 0 1 5 1

- Pump**
- For grease.....P301

- SSV Divider Block**
- External, SSV 6, SSV 8**.....0
- External, SSV 12, SSV 18**.....1
- SSV 6 (back).....3
- SSV 8 (bottom).....4
- SSV 12.....6
- SSV 18.....9

- SSV Divider Block Position**
- None.....0
- Back.....1
- Bottom¹.....2

- Operating Voltage**
- 12 VDC*.....2
- 24 VDC*.....4
- 120 VAC*.....6
- 230 VAC*.....8

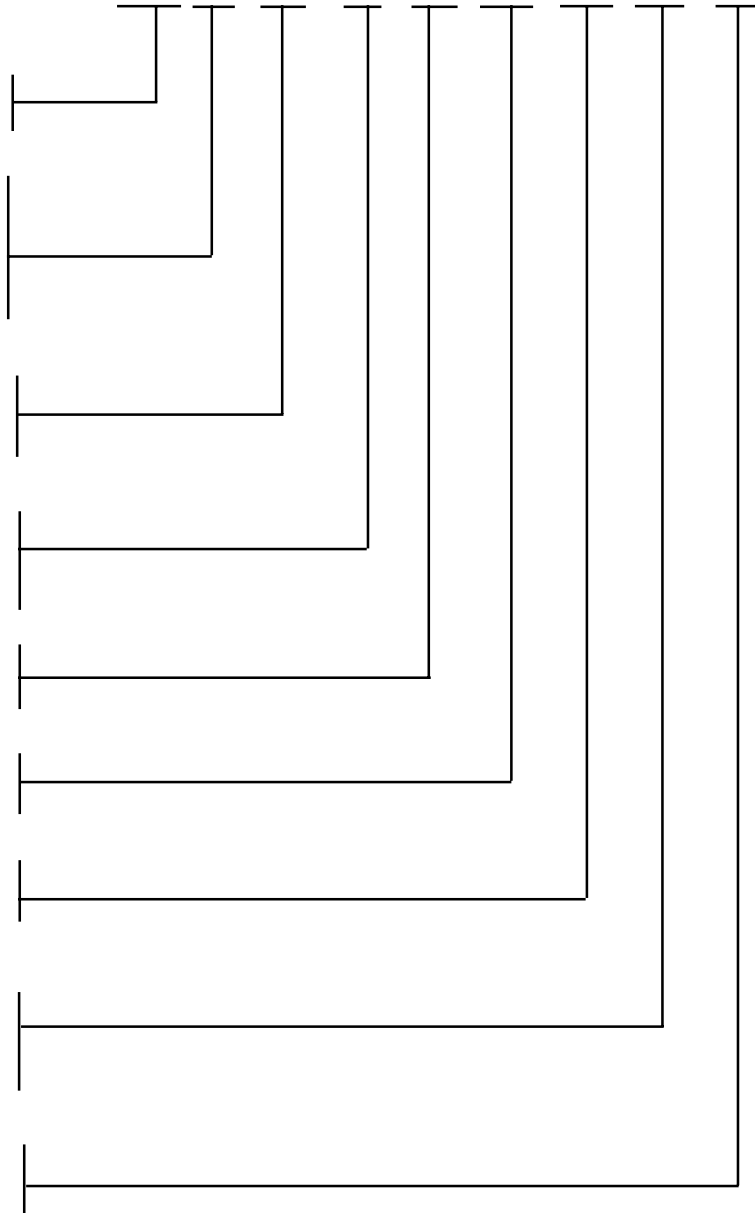
- Reservoir/Low level control**
- 1 l reservoir with low level control.....1

- Dry Contacts**
- None.....0
- Yes.....1

- Type of Plug Connector**
- Square-type, acc. to DIN 43650 type of construction A.....1

- Electrical Connectors**
- Without socket, without cable.....0
- With socket, without cable*.....1
- With socket, with cable, 10 m.....5
- With socket, with ADR cable, 10 m.....6

- Control p. c. b.**
- None.....0
- Monitored, 1 cycle, SSV 12, SSV 18
- Monitored, 1, 2, 3 cycles, SSV 6, SSV 8.....1



Example of an explained model number:

Pump model P30131810111-Grease pump, SSV 6 block mounted on the back, 230 VAC, with low level and without dry contact.

* Note: Standard 120 and 230 VAC pump models for industry are shipped without electrical cable. Standard 12 and 24 VDC pump models for mobil applications can be shipped with 10 meter (30') electrical cable.
 ** Note: For external divider block application only use the specific divider blocks SSV ... KNQLS.
 On pump models without divider block there is not possible to close cycles without changes on the p. c. b.
¹ Note: Do not use QLS 301 with SSV block in bottom mounting position for mobile applications. Don't install the pump in areas exposed to shock.

Accessory Kits

Inch Size Kits:
 SSV 6/8 part no. 550-36971-1
 SSV 12 part no. 550-36971-2
 SSV 18 part no. 550-36971-3

Metric Size Kits:
 SSV 6/8 part no. 550-36970-1***
 SSV 12 part no. 550-36970-2***
 SSV 18 part no. 550-36970-3***

*** Lube fittings must be ordered separately

Subject to modifications

Electrical Connecting Diagrams



Electrical connection

- Before starting, make sure that the electrical supply is off. The device may not be connected or disconnected when the power is on. The protective conductor must always be connected. Take care that this line section is undamaged and conforms to standards and the contacts are safe.

* Connect the electric wires according to the following electrical connecting diagrams.
Note: The protection IP6K9K (NEMA 4) is guaranteed when the socket (x1, x2) is tightened on housing cover with flat packing.

Direct current (DC) with integrated p.c. b. and attached divider block

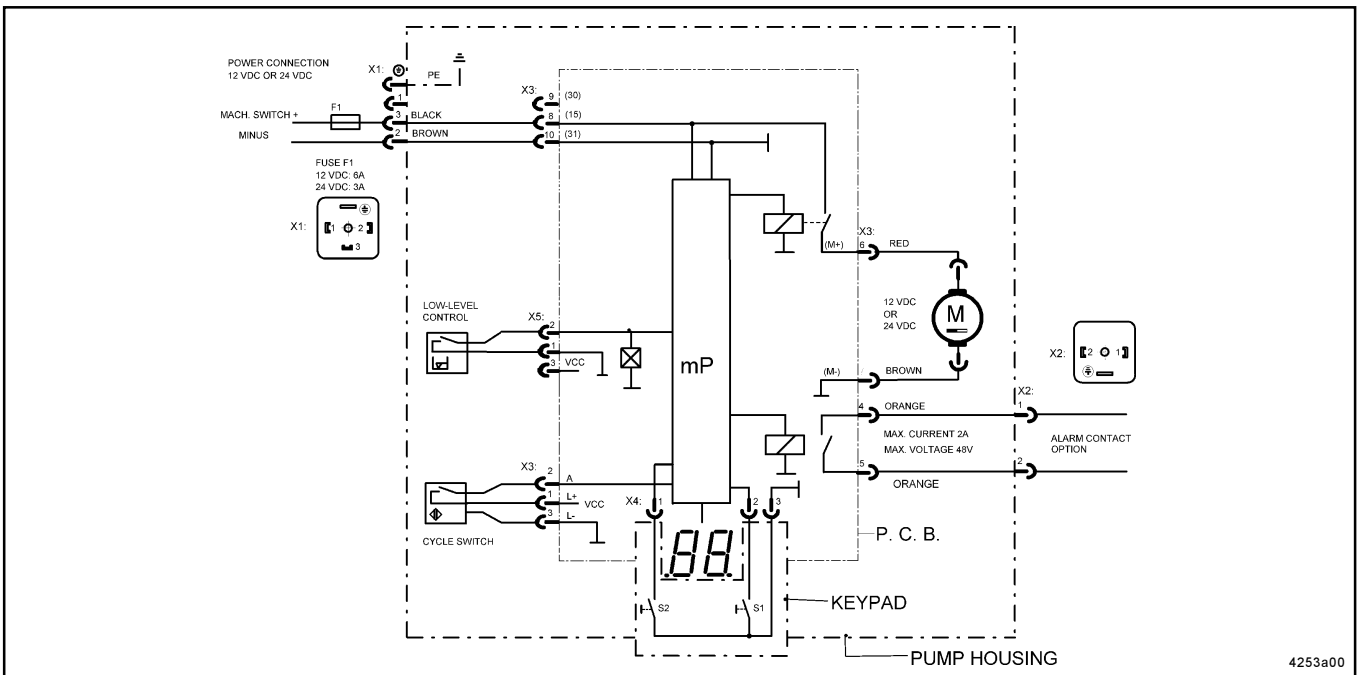


Fig. 12 - Electrical Connecting Diagram, direct current.

Direct current (DC) with integrated p.c. b. and external divider block

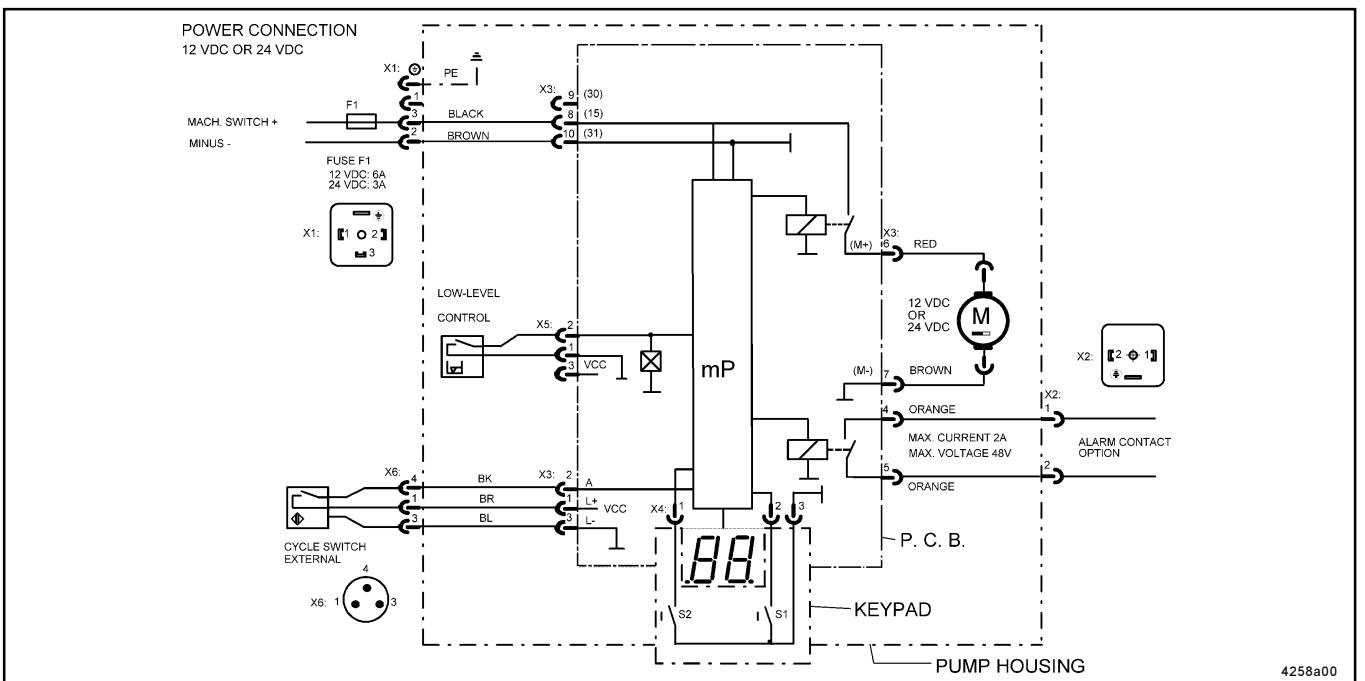


Fig. 13 - Electrical Connecting Diagram, direct current.

Subject to modifications

Alternate current (AC) with integrated p.c. b. and attached divider block

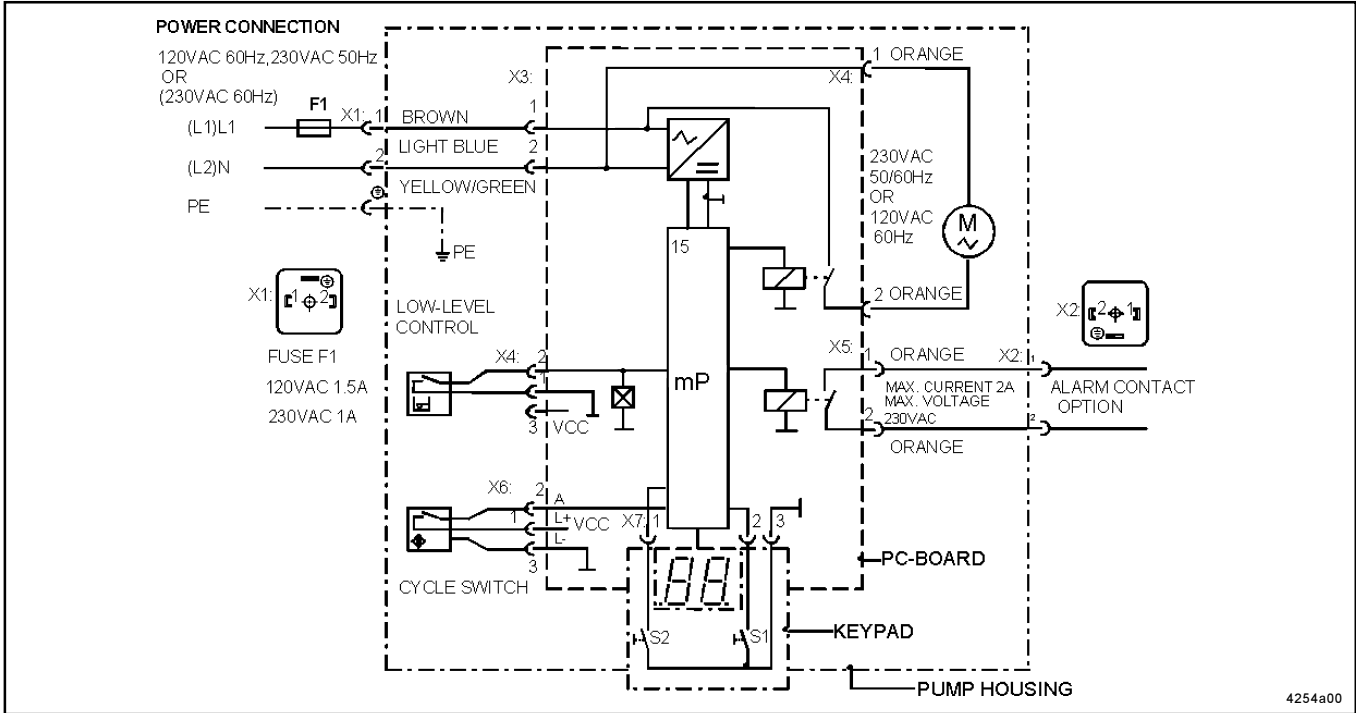


Fig. 14 - Electrical Connecting Diagram, alternate current.

Alternate current (AC) with integrated p.c. b. and external divider block

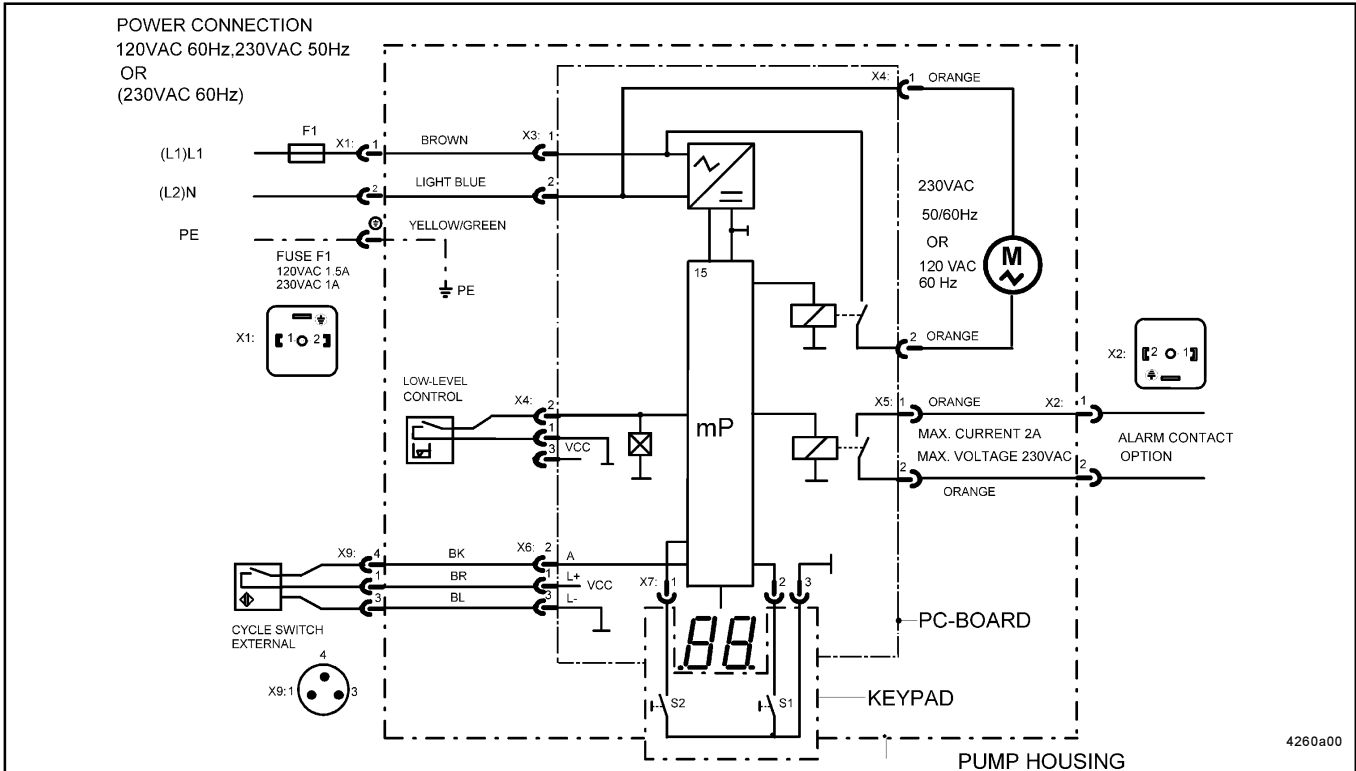


Fig. 15 - Electrical Connecting Diagram, alternate current.

Subject to modifications

Description of QLS 301

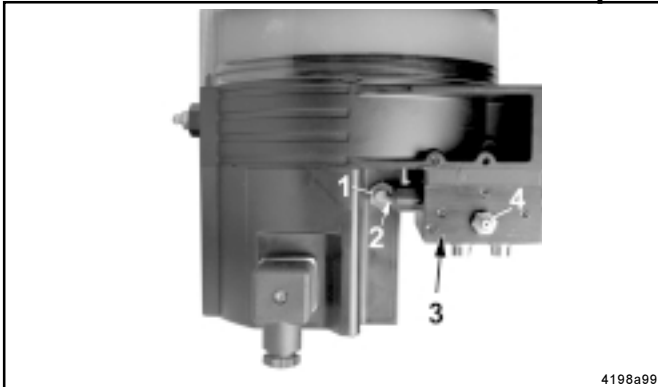


Fig. 16 - QLS 301 with back position of the SSV divider block
1 - Proximity switch 3 - SSV divider block
2 - Control pin 4 - Nipple for external manual lubrication (1/8")



Fig. 17 - QLS 301 with bottom position of the SSV divider block

- The QLS 301 is a complete compact lubrication system for **maximum of 18 lubrication points per cycle***.

**Note: More than 18 lubrication points are possible for applications with limited lubrication requirements. Contact Lincoln Industrial Technical Service for additional information.*

- The pump has three basic configurations:
 - SSV divider block mounted on the back (see fig. 16)
 - SSV divider block mounted on the bottom (see fig. 17)
 - Pump without the SSV divider block attached.
- The pump with the SSV divider block mounted on the bottom has the capability of using steel tubing as lubrication lines if necessary.
- Standard lubrication lines are high pressure plastic tubing included in the pump installation kit for pumps with the SSV divider block attached.

Note: Regardless of the SSV divider, mounting the operation of the pump is the same.

- A signal from the pump timer starts the electric motor and pumping element starts pumping the lubricant to the SSV divider block.
- When all lubrication points have received lubricant, an internal proximity switch 1 Fig.16 turns the motor off, completing one lubrication cycle.
- If pump does not complete the cycle within 15 minutes of operation, alarm message "Er" will be displayed as a flashing light in the keypad window, see Fig. 23

- 1 - Connecting block 4 - Nipple for external manual lubrication (1/8")
- 2 - Manifold
- 3 - SSV divider block 5 - Plug (1/8") for external return line (R) or external pressure line (P)

Operation of QLS 301

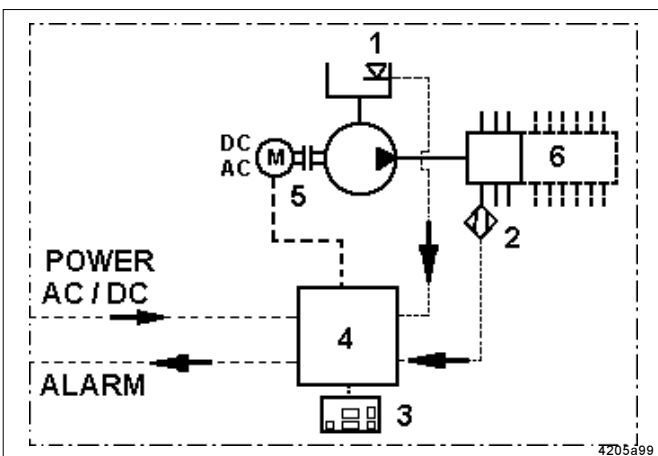


Fig. 18. - QLS 301 unit

- The QLS 301 operates according to lube cycles (pause and operating times).
- The pause time begins the cycle, then the operating time occurs.

• A division of the lube points (option) via secondary metering devices and one main divider block (SSV 6, SSV 8) is possible only up to **max. 18 points per cycle** (see * Note). In this case, the number of the cycles of the main divider block must be set (see P 3 on page 14).

- 1 - Low-level control 4 - Control unit
- 2 - Proximity switch 5 - Pump unit
- 3 - Keypad with display 6 - SSV 6, 8, 12, 18

Subject to modifications

Pressure relief valve

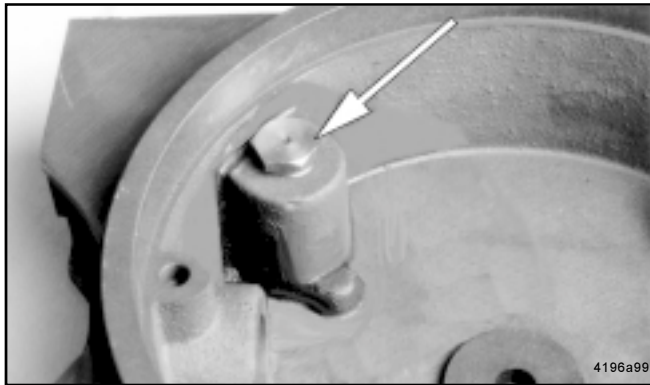


Fig. 19 - Pressure relief valve (cartridge) in housing

- The QLS 301 is protected with a pressure relief valve (cartridge).
- The pressure relief valve limits the pressure build-up in the QLS 301. It opens at an overpressure of 201 bar (3000 psi).
- If the pressure relief valve is actuated, this indicates that the system is malfunctioning. The lubricant flows back into the reservoir (hardly visible).
- Upon expiration of the monitoring time of 15 minutes, the pump switches off. The fault indication "Er" is displayed on the key pad of the pump. See "Display mode" under "Control unit".

Pump Display Window

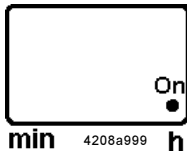


Fig. 20 - Green decimal point (pause time)

- Pump "On" is indicated on the display by an **illuminated decimal point** (pause time is running) (fig. 20).

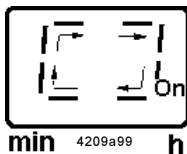


Fig. 21 - Green display (operating time)

- Pump "running" is indicated on the display by a **rotating light movement of the green display** (operating time)(fig. 21).
- If the voltage supply is interrupted during the operating time, the times already expired are saved. When the power supply is switched on again the operating time continuous to operate from the point where it had been interrupted.



Fig. 22 - Pushbutton for additional lubrication cycle

- **Additional lube cycle (Manual Lube)**
- is initiated via the button (Fig. 22). Press the button for 2 seconds.
- can be initiated at any time, provided that the power supply is applied.

Note: If a malfunction is present (flashing display), first acknowledge this malfunction.

- If a fault signal (malfunction) is present, it will be cancelled after the system is operating properly.

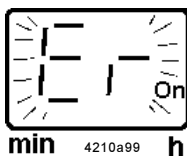


Fig. 23 - Display of a fault indication

Monitoring time/malfunction

- If the cycle is not complete within **15 minutes** (monitoring time) after expiration of the pause time, the pump immediately switches off.
- The fault indication " Er " (error) is displayed as a flashing light (fig. 23). At the same time, a potential free contact is available for the external fault indication (option).
- If a **malfunction** is present, the pump **no longer switches on automatically**.

Setting and operation of the QLS 301

- Three possible modes of operation and settings can be selected at the key pad:
 - Display mode
 - Operating mode
 - Programming mode

Display mode

	<ul style="list-style-type: none"> • As soon as voltage is applied to the pump, the key pad is automatically in "display mode". The right-hand decimal point is illuminated on the display. • Normally, the display is dark. Only the functions (decimal point, rotating segment display) or malfunctions (Er, LL) are displayed. • In the display mode <ul style="list-style-type: none"> - The user receives information on functions and malfunctions.
	<ul style="list-style-type: none"> - A test display is made when the voltage is applied, all segments and decimal points are illuminated for 2 seconds. <i>Note: If *EP* is displayed after the display test, this indicates that the button or the key pad is defective.</i>
	<ul style="list-style-type: none"> - The right-hand decimal point (On/h) indicates the available voltage supply during the pause time. As soon as another message is displayed, the decimal point turns off.
	<ul style="list-style-type: none"> - The operating time is displayed as a rotating segment.
	<ul style="list-style-type: none"> - "Er" is shown to indicate a malfunction - "LL" is shown to indicate low level (where applicable)
	<ul style="list-style-type: none"> - The flashing display is changed into a continuous light by pressing the button (acknowledging). To acknowledge, press the button only briefly. • Messages which have been acknowledged but have not yet been remedied again after the pump is switched off and on again.

Fig. 28 - Display in display mode

Subject to modifications

Operating mode


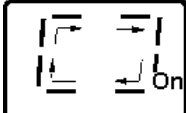
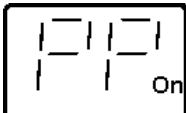
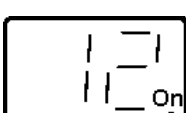
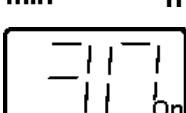
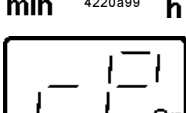
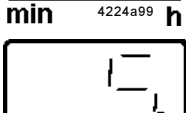
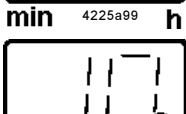
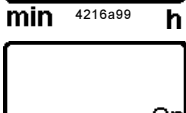


Display	press
 	<p>Important: The operating mode is accessible only during the pause time, and cannot be operated during the running time (pump operating time).</p> <ul style="list-style-type: none"> • Precondition: when the voltage supply is applied, the decimal point On/h is lit. <p>Operating option: initiating an additional lube cycle * Press the button. The elapsed pause time is reset. The operating time starts. A rotating segment is visible on the display during the whole operation time.</p>
      	 $\geq 2 \text{ sec}$  $\geq 2 \text{ sec}$ <p>after 2 sec.</p> <p>after 2 sec.</p> <p>after 2 sec.</p> <p>after 2 sec.</p> <p>after 2 sec.</p> <p>after 2 sec.</p> <p>after 60 sec.</p> <p>Operating option: read information on how to set the pause time and remaining pause time.</p> <p>* Press the button.</p> <p><i>Note: The following display sequence is shown twice and is cancelled after 60 seconds. The change of display occurs every two seconds. Example:</i></p> <p>PP = 12h 30min rP = 5 h 10 min “PP” (set pause time) 12 . (hours) . 30 (minutes) “rP” (remain pause time) 5 . (hours) . 10 (minutes)</p> <p>occurs after second sequence.</p>

Fig. 29 - Display in operating mode

Subject to modifications

Programming mode

<p>Display</p> <p>press</p> <p>press</p> <p>$\geq 4 \text{ sec}$</p>	<p>* To access to the programming mode, press both buttons at the same time > 4 seconds.</p> <p>Programming options - Pause time:</p> <p>P1 0 – 99 hours</p> <p>P2 0 – 59 minutes</p> <p>Min. pause time 20 minutes</p> <p>Max. pause time 99 hours 59 minutes</p>
	<p>Setting hours P1</p> <p>* Settings are made in one direction: 0, 1, 2, 3, 99 h</p> <p>Button pressed once.....increases by 1 hour</p> <p>Button pressed continuously.....quick sequence</p> <p>The fields "hour" and "minutes" are indicated by a decimal point on the right - hand for the hours and on the left - hand for the minutes.</p>
 	<p>Setting minutes P2</p> <p>* Settings are made in one direction: 0, 1, 2, 3.....59 minutes</p> <p>Button pressed once.....increases by 1 minute</p> <p>Button pressed continuously.....quick sequence</p> <p><i>Note: The minimum pause time begins with 20 minutes. When pause times < 20 minutes are programmed, the display automatically shows .20.</i></p>
 	<p>Setting number of cycles P3 (Option)</p> <p>Important: Settings are only possible in connection with progressive divider block SSV 6 or SSV 8 (connected as a main divider block).</p> <p>* Press the button. The selection of "P3" (cycles) is displayed.</p> <p>* Factory setting.....1 cycle</p> <p>* Max.....3 cycles</p> <p>* Press the button and program the number of cycles (2, 3) in accordance with the desired dosage.</p>
 	<p>Completing the programming</p> <p>* Press the button. "P-" is displayed.</p> <p>Important: In order to avoid a wrong program, make sure to always carry out the programming order completely, i. e. setting of P1 (hours), P2 (minutes), P3 (number of cycles) and P- (programming end).</p> <p>* Complete the programming by pressing the button, see fig.</p> <p><i>Note: If the displayed button is not pressed within 30 seconds, programming mode remains in the previously set time.</i></p> <p>Important: After completion of the programming order, check the adjustment of the pause time in the operating mode, again (see page 13).</p>

Fig. 30 - Display in programming mode

Subject to modifications

Maintenance, Repair and Tests

Maintenance

- Maintenance is essentially limited to refilling the reservoir with clean lubricant as necessary. However, check regularly whether the lubricant is being dispensed to all the lubrication points.
- Also check the feed lines for damage and replace them, if necessary.

To fill reservoir

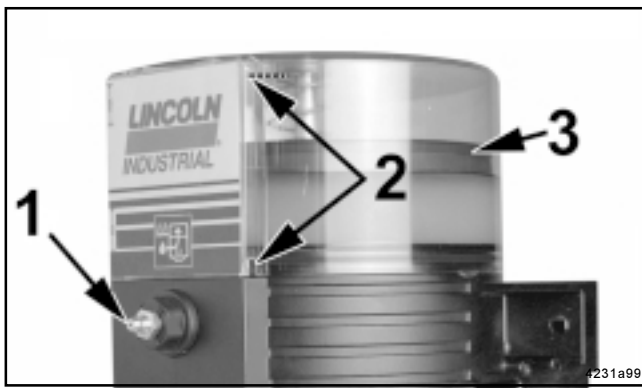


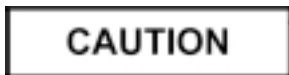
Fig. 31 - Filling nipple for filling reservoir
1 - Filling nipple 3 - Follower plate
2 - Vent hole

Repair



Switch off the voltage supply for pumps 120 VAC and 230 VAC before servicing the pump.

- For repair work on the QLS 301 use only Lincoln Industrial original spare parts.
- Using non-Lincoln Industrial parts will void the pump warranty.



- * By operating the drive motor without the reservoir installed, there is a risk of injury by eccentric gear.

Functional Test



- * Press push button to initiate a lubrication cycle.

Fig. 32 - Push button for an additional lubrication cycle



Turn off the voltage supply for pumps 120 VAC and 230 VAC before servicing the pump.

Note: Whenever work is performed on the centralized lubrication system, special attention should be paid to cleanliness. Dirt will cause failure of the system.

Important: To clean the system use petroleum spirit or petroleum. **Do not use Tri, Per or similar solvents or polar or organic solvents such as alcohol, methanol, acetone, etc.**

- Fill the reservoir up to the "Max." mark via the filling nipple

Important! The grease must be free from impurities and must not be liable to change its consistency over the course of time.

Note: If the reservoir has been completely emptied, the pump may require priming and a longer running time to reach the full lubricant output. Therefore, initiate additional lube cycles manually.

Filling of the empty reservoir

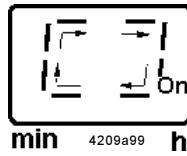
- Make sure, that all air has been expelled from under the follower plate after refilling the empty reservoir.
- * The follower plate seal should clear the hole located on the top of the reservoir. Small amount of grease should be expelled to ensure expelling of air from under the follower plate.



When filling the reservoir by means of pumps with a large delivery volume do not exceed the max. filling mark. Risk of bursting if the reservoir is overfilled.

Troubleshooting


Pump of the QLS 301 system



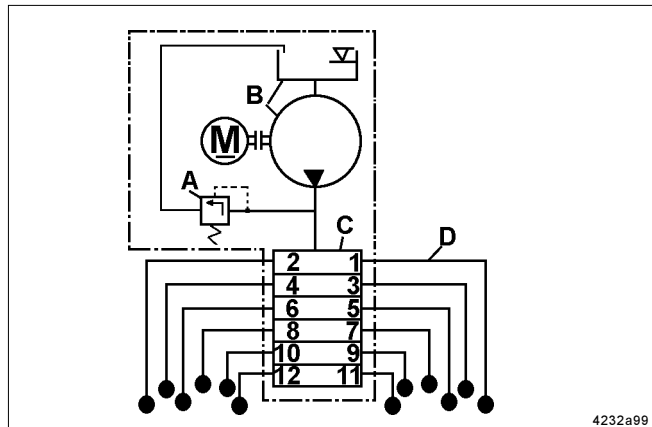
- The green rotating display indicates that the pump operates properly.

<p>• Fault: pump motor doesn't run</p>	
<p>• Cause:</p> <ul style="list-style-type: none"> • Power supply interrupted. Green decimal point On/h on display is not lit. • Power supply from printed circuit board to motor interrupted. • Printed circuit board defective. • Key pad or button is defective. "EP" display at the key pad flashes. 	<p>• Remedy:</p> <ul style="list-style-type: none"> * Check the voltage supply to the pump/fuses. If necessary, eliminate the fault or replace the fuses. * Check the feed line from the fuses to the plug of the pump and then to the printed circuit board. * Initiate an additional lube cycle. Check voltage supply from the printed circuit board to the motor. * Replace printed circuit board. * Replace housing with key pad.
<p>• Fault: pump does not deliver lubricant</p>	
<p>• Cause:</p> <ul style="list-style-type: none"> • Reservoir is almost empty. "LL" display at the key pad is flashing. • Pump lost prime and "Er" display at the key pad is flashing. • Air pockets in lubricant. • Improper lubricant has been used. • Suction hole of pump element clogged. • Pump piston is worn. • Check valve in pump element defective or clogged. 	<p>• Remedy:</p> <ul style="list-style-type: none"> * Fill up the reservoir with clean grease. Let the pump run (initiate an additional lube cycle) until the lubricant shows at all lube points. <i>Note: Dependent on the ambient temperature and/or sort of lubricant output. Therefore, initiate several additional lube cycles.</i> * Trigger an additional lubrication cycle. Lubricant must dispense without air bubbles. * Change the lubricant. * Remove pump element. Check suction hole for foreign particles. If there are any, remove them. * Replace pump element. * Replace pump element.
<p>• Fault: Pump either does not switch off at all or only after the monitoring time of 15 min.</p>	
<p>• Reason:</p> <ul style="list-style-type: none"> • Proximity switch is not dampened, i.e. the control pin does not move within the switching range of the initiator, or the distance between the control pin and the initiator surface is more than 0.5 mm (0.02 in.). 	<p>• Solution:</p> <ul style="list-style-type: none"> * Initiate an additional lubrication. Check whether the control pin moves centrically over the switching surface of the initiator. In case the adjustments do not correspond to the indications, the fixing position of the metering device has to be corrected. * Check the distance between the control pin and the switching surface of the initiator (max. 0.5 mm; 0.02 in.). In case the adjustments do not correspond to the indications, the fixing position of the proximity switch has to be corrected. * Distances between the switching surface of the initiator and the upper edge of the fixing nut: <ul style="list-style-type: none"> * When the metering device is mounted at the back: 16+ / -0,2 mm (0.62+/-0.08 in.) * When the metering device is mounted at the bottom: 12,7 +/-0,1 mm (0.5 +/-0.004 in.). * Tightening torque of the nut: 1,5 Nm (1.10 ft-lb).

Subject to modifications

<p>• Fault: Pump runs continuously</p>	
<p>• Cause:</p> <ul style="list-style-type: none"> • Programming of pause time in step P1 was set to "00". Programming of further steps P2, P3 and P- were not carried out. • Pump starts running immediately. The proximity switch switches off the cycle for two minutes. Then pump is running continuously. 	<p>• Remedy:</p> <ul style="list-style-type: none"> * Switch off pump (power supply) by removing left-hand socket from plug. * Push both buttons of keypad  <ul style="list-style-type: none"> * Switch on pump (power supply) by replugging left-hand socket. * Let go both pushbuttons after two seconds. * The factory setted pause time of 6 hours is automatically resetted. Afterwards new setting of pause time is possible.

Divider Block of the QLS 301

<p>• Fault: Blockage in the downstream progressive system</p>	
<p>• Cause:</p> <ul style="list-style-type: none"> • Bearings, lines or divider block clogged • Mounting position of divider block : bottom - In the case of the divider block SSV 8,12 and 18 the outlet ports 1 and/or 2 are closed. • Mounting position of divider block: back-side, until preserial no 99800006711/004 and serial no 998000099C/001 - In the case of the divider block SSV 6, 12 and SSV 18 the outlet 1 is closed and outlet 2 is feed to a lube point. <p>The fault can be identified as follows:</p> <ol style="list-style-type: none"> • Fault indication "Er" flashing on the key pad display. • The indicator pin mounted on the divider block piston does not move. 	<p>• Remedy:</p> <ul style="list-style-type: none"> • Determine the cause of the blockage as described in the following example and eliminate it. * Let the pump run (refer to "Initiating an additional lube cycle") * Disconnect all feed lines of the divider block one after the other. If grease shows under pressure (i. e. at outlet 3, Fig. 33) the blockage is located in the line of outlet 3 or in the connected bearing point. * Pump through the blocked line or bearing point using a hand pump. <p><i>Note: To check the individual outlets, leave all outlet disconnected for a while, since only one piston stroke is executed with each motor revolution. Several strokes are required for a full cycle of all divider blocks.</i></p> <ul style="list-style-type: none"> * Check pressure relief valve (Fig.19). Replace it, if necessary.
	
<p>Fig. 33 - Example of a QLS 301</p>	

Subject to modifications

<p>• Fault: Blockage in the downstream progressive system, continuation</p>	
<p>• Cause:</p> <ul style="list-style-type: none"> • Divider valve is blocked 	<p>• Remedy:</p> <ul style="list-style-type: none"> * Replace the divider block or clean it as follows. * Remove all threaded tube fittings. * Unscrew the piston closure plugs. * Remove the piston, if possible, with a soft mandrel (smaller than \varnothing 6 mm, 0.24 in). <p>Important: The pistons are individually fitted in the bore holes of the divider block. After removing the pistons, mark them in order to reinstall them in the right direction and position. They may not be interchanged.</p> <ul style="list-style-type: none"> * Thoroughly clean the divider block body in a grease-dissolving detergent and dry them out with compressed air. * Clean through the material passages (\varnothing 1.5 mm, 0.59 in) at the thread ends of the piston bore holes using of a pin. * Clean the divider block once more and dry it thoroughly. * Reassemble the divider block.
<p>• Fault: Differing lubricant amounts at the lubrication point</p>	
<p>• Cause:</p> <ul style="list-style-type: none"> • Lubricant metering not correct. • Setting of the pause time incorrect. 	<p>• Remedy:</p> <ul style="list-style-type: none"> * Check the lubricant metering acc. to the lubrication chart. * Check time setting.

Technical Data

QLS 301, general

Operating temperature -25° C to 70° C (-10° F to 160° F)
 Maximum operating pressure
 pump model without divider block 205 bar (3,000 psig)
 Number of outlets 6, 8, 12 or 18
 Output per outlet and cycle approx.0.2 cm³ (0.012 in³)
 Reservoir capacity 1.0 L (61 in³)
 Lubricant up to NLGI 2 Grease
 Weight (average) 5.7 kg. (12.5 lbs)
 Protection IP6K9K (NEMA 4)
 Reverse polarity protection:
 The operating voltage inlets are protected against reverse polarity

Electrical Data AC (Alternate Current)

Operating voltage 120VAC/60 Hz +/- 10 %
 Operating current 1.0 A
 Operating voltage 230 VAC;50/60 Hz +/- 10 %
 Operating current 0.5 A

Electrical Data DC (Direct Current)

Operating voltage 12 V - 20 %/+ 30 %
 Operating current 2.0 A
 Operating voltage 24 V - 20 %/ + 30 %
 Operating current 1.0 A
 Residual ripple in relation
 to the operating voltage.....± 5% acc. to DIN 41755

Note: The pump motor is suitable for intermittent operation only

- The printed circuit boards **for Direct Current DC:**
- are EMV regulation for on-road vehicles acc. EN 40839 parts 1, 3 and 4
- the vehicle guide line 95/245/EC

Time setting

Factory setting
 Pause time.....6 hours/cycle
 Lubrication cycle time 20 min. to 100 hrs
 increment 1 minute
 Numbers of cycles, general 1
 with SSV 6, 8 divider block 1, 2 or 3 cycles are possible
 Timer memory indefinite over EEPROM

Relay for Malfunction

Potential-free outlet for malfunction/low level option
 Switching voltage.....max. 230 VAC/125 VDC
 Switching current (resistive).....2 A
 Switching capacity.....460 VA/80 W

Note: All datas depends on operating voltage, ambient temperature and max. operating pressure.

Lines

Plastic tube (dia. 6x1.5 mm; 1/4 in.)

Min. bending radius.....50 cm (2 in.)
 Bursting pressure
 at 20° C (70°F)..... approx. 210 bar (3050 psi)
 Min. temperature.....-25° C (-10°F)

Tightening Torques

Pump

Electric motor to housing.....3 Nm (2.5 lb-ft)
 Pump element in housing.....25 Nm (19.0 lb-ft)

Divider block, accessories

Closure plug (piston) in divider block 18 Nm (13.5 lb-ft)
 Closure plug (outlets) in divider block 15 Nm (11.0 lb-ft)

Outlet fitting in divider block

screw-type 17 Nm (12.5 lb-ft)
 push-in type 12 Nm (9.0 lb-ft)

Compression nut onto outlet fitting, screw-type

plastic tube 10 Nm (7.5 lb-ft)
 steel tube 11 Nm (8.0 lb-ft)
 Indicator pin in divider block 18 Nm (13.5 lb-ft)
 Mounting of the divider block 10 Nm (8.0 lb-ft)

Subject to modifications

Dimensions

QLS 301

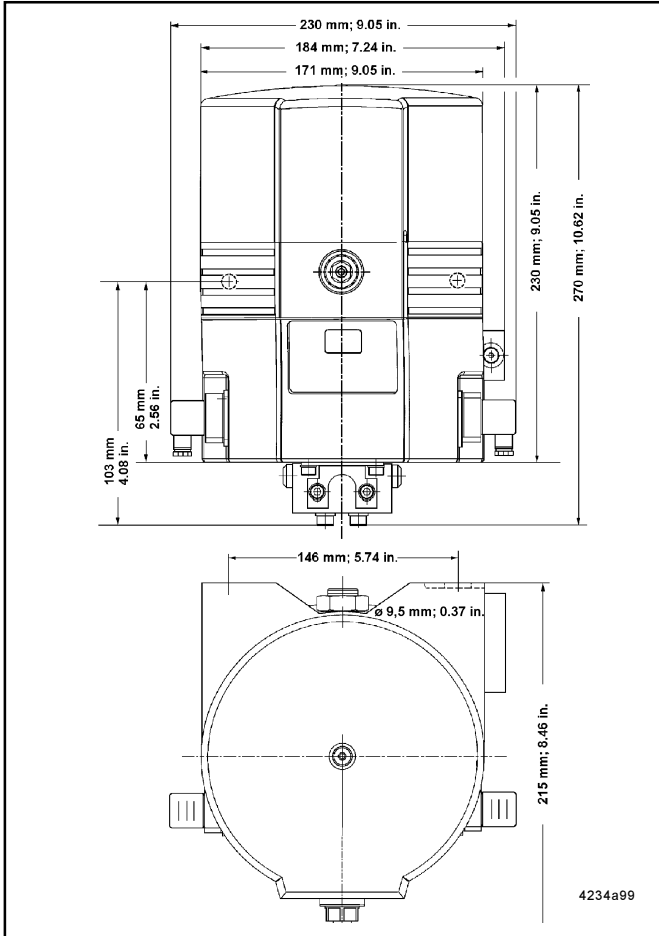


Fig.33- Dimensions of QLS 301

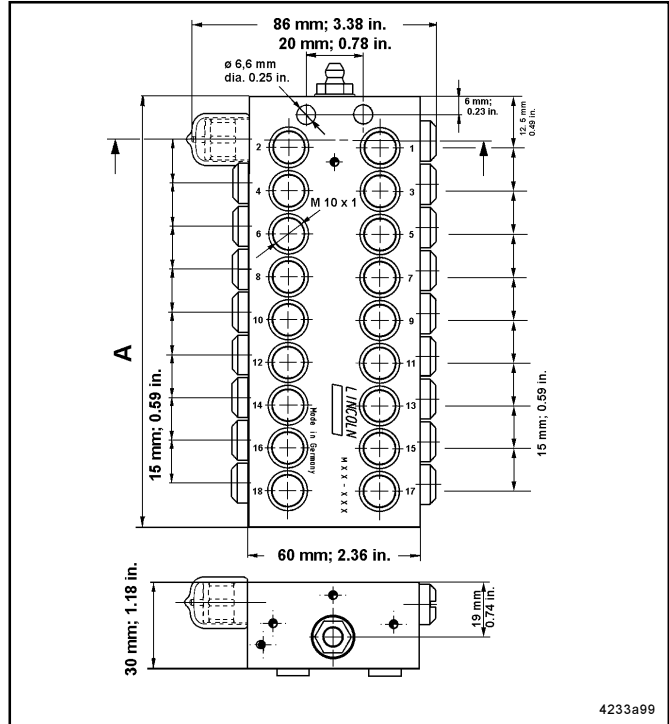


Fig.35- Dimensions of back mounted SSV Divider Blocks

Number of Outlets	Dimensions A in mm (in.)
6	60 (2.36)
12	105 (4.13)
18	150 (5.90)

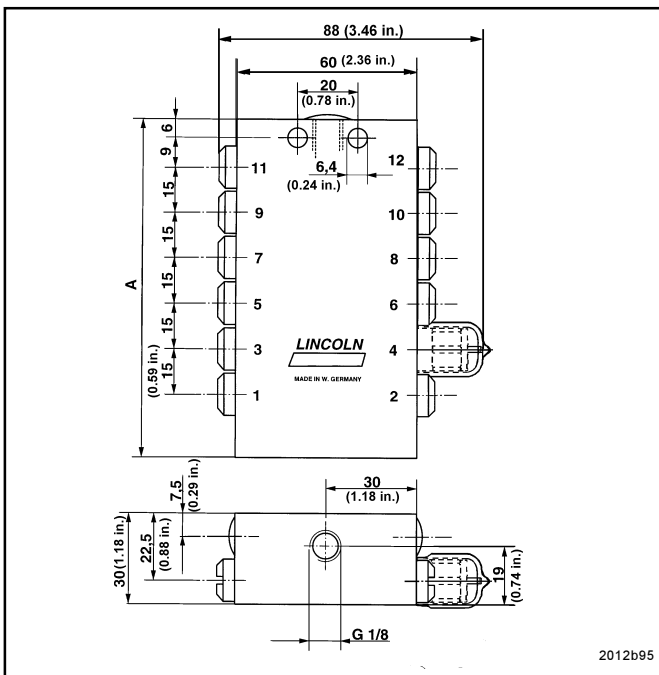


Fig.34- Dimensions of bottom mounted SSV Divider Blocks

Number of Outlets	Dimensions A in mm (in.)
8	75 (2.95)
12	105 (4.13)
18	150 (5.90)

Subject to modifications

Optional for metric fittings (not provided in the accessory kits)

Tube fittings, Screw-type or Push-in type for SSV

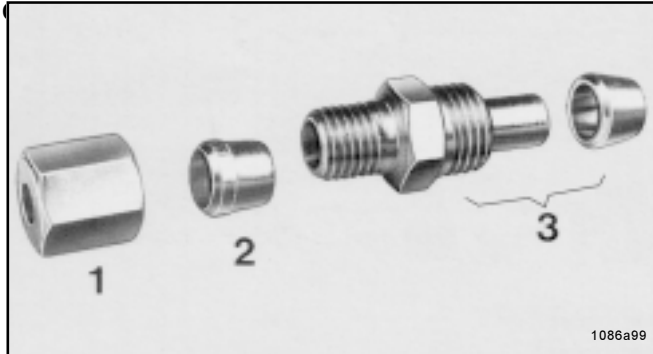


Fig. 36 - Check valve, screw-type (option) for steel and plastic tubes

- 1 - Ferrule nut
- 2 - Cutting ring
- 3 - Valve body with sealing and ferrule

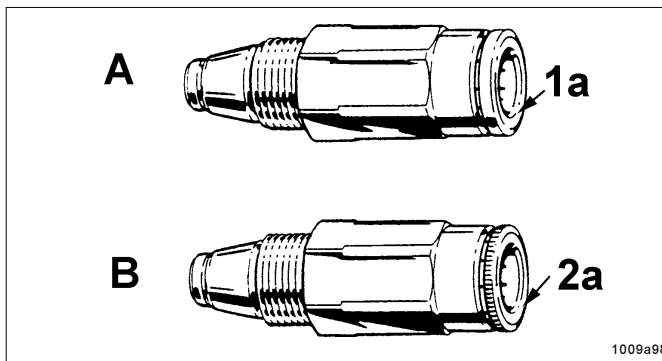


Fig. 37 - Different types of check valves, push-in type

- For high-pressure plastic hose (option, dia. 8.6x2.3mm) use check valves type A with reinforced collar and smooth flange.
- A - Check valve with reinforced collar
- B - Check valve with knurled collar
- 1a - Reinforced collar
- 2a - Knurled collar



Fig. 38 - Check valves with reinforced collar and hose stud

Note: On construction machines or agricultural machines use high pressure plastic hoses. In such cases the check valves of the divider blocks must have a reinforced collar and a smooth flange.

Important: Connect only high-pressure plastic hoses (ø 8.6x2.3 mm) with threaded sleeve and hose studs to the check valves with reinforced collars.

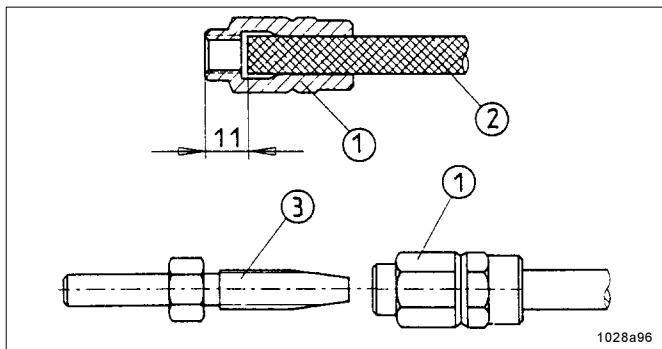


Fig. 39 - Preassembly of the threaded sleeves and hose studs on the high-pressure plastic hose

Fitting the threaded sleeves and hose studs on the high-pressure plastic hose

- Screw the threaded sleeve (item 1 Fig. 39) counterclockwise onto the high-pressure plastic hose (2) until the illustrated dimension of 11 mm is reached. Then screw the hose stud (3) into the threaded sleeve (1).

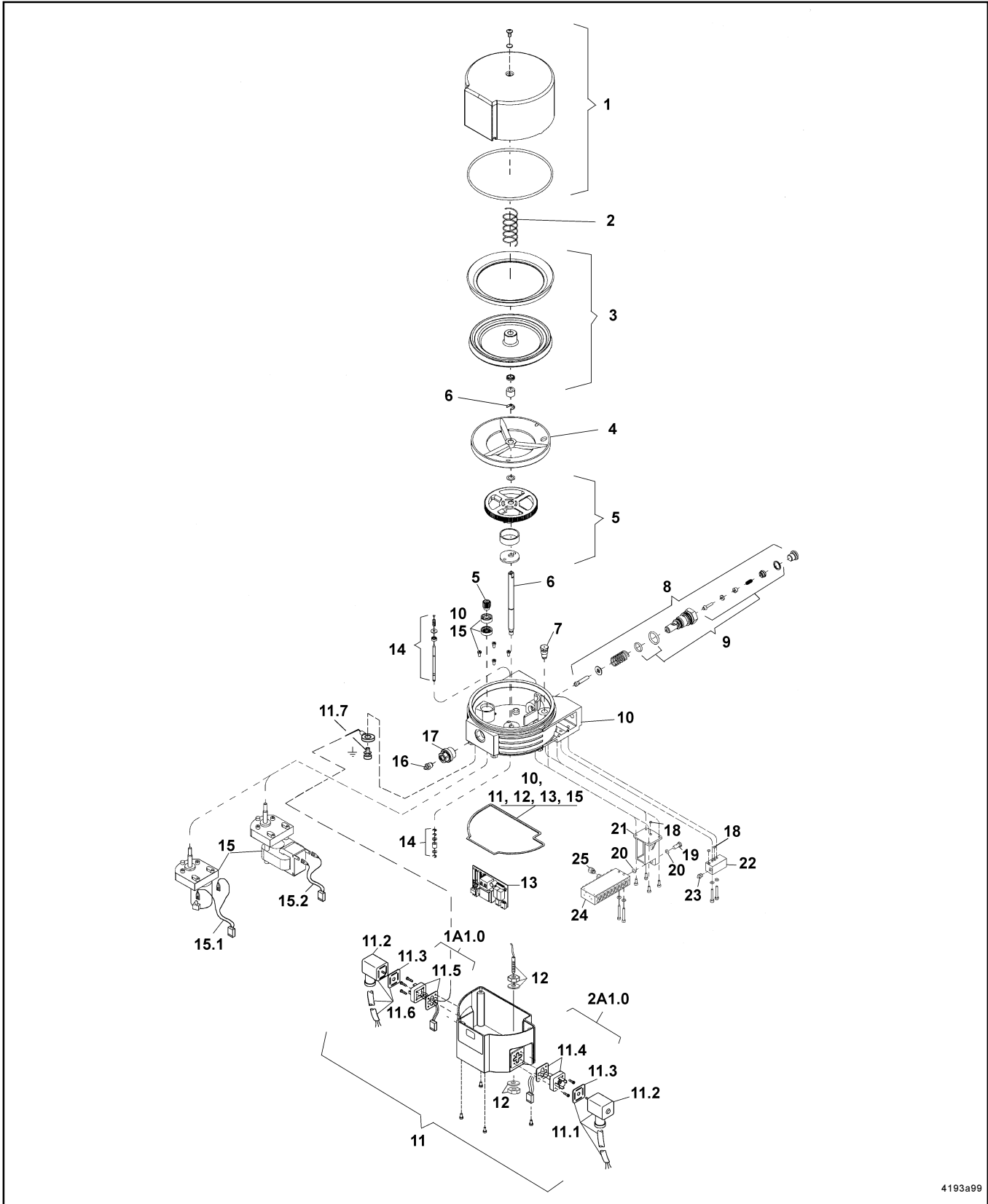
Important: Oil parts before screwing the parts 1 and 3 together.

- 1 - Threaded sleeve
- 2 - High-pressure plastic hose
- 3 - Hose stud

Subject to modifications

Service Parts for the QLS 301

QLS 301 with bottom mounted SSV Divider Block



4193a99

Fig. 40 - QLS 301 with bottom mounted SSV Divider Block

Subject to modifications

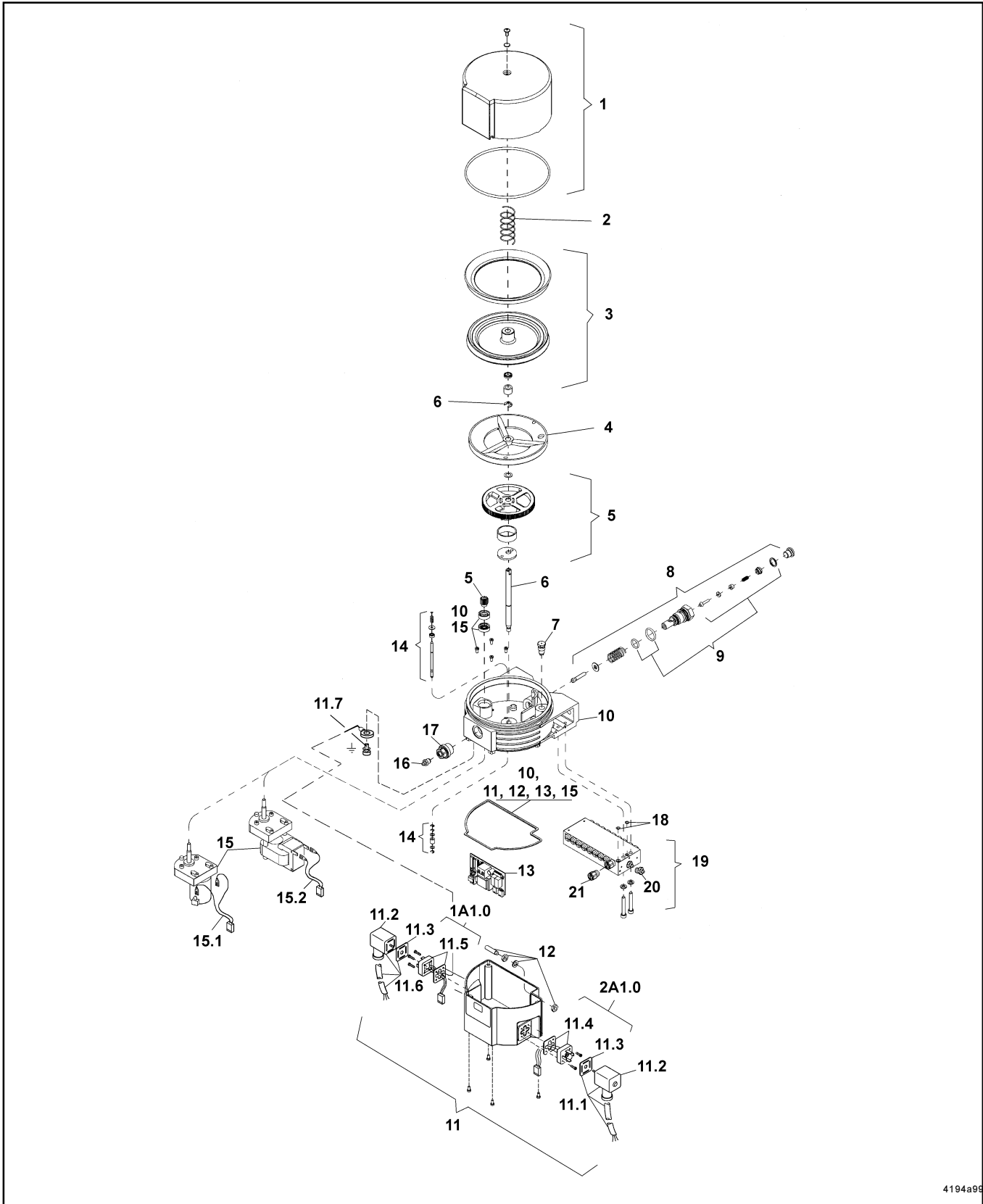
Parts list

Pos.	Designation	Kit	Part	Qty	Part no.
1	Reservoir	x		1	550-36979-2
2	Spring for follower plate		x	1	218-14172-6
3	Follower plate	x		1	550-36979-3
4	Intermediate bottom	x		1	450-24749-1
5	Eccentric gear	x		1	550-36979-4
6	Shaft	x		1	550-36979-1
7	Pressure relief valve, cartridge		x	1	235-14343-1
8	Pump element, assy dia. 6 mm		x	1	650-28856-1
9	Sealing parts for pump element	x		1	550-36979-5
10	Housing with low level control	x		1	550-36981-3
11	Housing cover with low level control for direct current VDC, plug 1A1.0	x		1	550-36984-1
	for direct current VDC, plug 2A1.0	x		1	550-36984-2
	Housing cover with low level control for alternate current VAC, plug 1A1.0	x		1	550-36984-3
	for alternate current VAC, plug 1+2 A1.0	x		1	550-36984-4
11.1	Socket 2 with 10 m cable, for remote control	x		1	664-36078-8
11.2	Socket, black GMD-3011		x	2	236-13277-9
11.3	Flat packing		x	2	236-13294-3
11.4	Appliance plug 2, for remote control, VDC		x	1	664-36968-6
	Appliance plug 2, for remote control, VAC		x	1	664-36968-5
11.5	Appliance plug 1, for power supply, VDC		x	1	664-36968-4
	Appliance plug 1, for power supply, VAC		x	1	664-36968-3
11.6	Socket 1 with 10 m cable, for power supply		x	1	664-36078-7
12	Proximity switch	x		1	550-36980-1
13	Printed circuit board for 1 cycle				
	12/24 VDC	x		1	550-36983-1
	120 VAC	x		1	550-36983-3
	230 VAC	x		1	550-36983-5

Pos.	Designation	Kit	Part	Qty	Part no.
	Printed circuit board for max. 3 cycles				
	12/24 VDC	x		1	550-36983-2
	120 VAC	x		1	550-36983-4
	230 VAC	x		1	550-36983-6
14	Low level control	x		1	550-36979-9
15	Motor, 12 VDC	x		1	550-36982-1
	Motor, 24 VDC	x		1	550-36982-2
	Motor, 120 VAC	x		1	550-36982-3
	Motor, 230 VAC	x		1	550-36982-4
15.1	Motor connection VDC		x	1	664-36968-2
15.2	Motor connection VAC		x	1	664-36968-1
16	Hydraulic lube fitting, ST AR 1/8		x	1	251-14040-1
17	Adapter M 22x1.5 (o)x G 1/8 in.		x	1	304-19619-1
18	O-ring dia. 5 x1.5 mm		x	1	219-12222-2
19	Banjo bold		x	1	226-13777-2
20	Sealing ring, aluminium		x	2	226-13780-1
21	Manifold	x		1	550-36979-6
22	Connecting block	x		1	550-36979-7
23	Hydraulic lube fitting, ST AR 1/8		x	1	251-14040-1
24	SSV divider block				
	SSV 8 - K	x		1	619-37586-1
	SSV 12 - K	x		1	619-37587-1
	SSV 18 - K	x		1	619-37588-1
25	Piston plug with sealing for control pin		x	1	519-32123-1
	Sealing kit for QLS 301			1	550-36979-8

Subject to modifications

QLS 301 with back mounted SSV Divider Block



4194a99

Fig. 41 - QLS 301 with back mounted SSV Divider Block

Subject to modifications

Pos.	Designation	Kit	Part	Qty	Part no.
1	Reservoir	x		1	550-36979-2
2	Spring for follower plate		x	1	218-14172-6
3	Follower plate	x		1	550-36979-3
4	Intermediate bottom	x		1	450-24749-1
5	Eccentric gear	x		1	550-36979-4
6	Shaft	x		1	550-36979-1
7	Pressure relief valve		x	1	235-14343-1
8	Pump element, assy dia. 6 mm		x	1	650-28856-1
9	Sealing parts for pump element	x		1	550-36979-5
10	Housing with low level control	x		1	550-36981-1
	Housing without low level control	x		1	550-36981-2
11	Housing cover with low level control for direct current VDC, plug 1A1.0	x		1	550-36984-1
	for direct current VDC, plug 2A1.0	x		1	550-36984-2
	Housing cover with low level control for alternate current VAC, plug 1A1.0	x		1	550-36984-3
	for alternate current VAC, plug 2 A1.0	x		1	550-36984-4
11.1	Socket 2 with 10 m cable, for remote control	x		1	664-36078-8
11.2	Socket, black GMD-3011		x	2	236-13277-9
11.3	Flat packing		x	2	236-13294-3
11.4	Appliance plug 2, for remote control, VDC		x	1	664-36968-6
	Appliance plug 2, for remote control, VAC		x	1	664-36968-5

Pos.	Designation	Kit	Part	Qty	Part no.
11.5	Appliance plug 1, for power supply, VDC		x	1	664-36968-4
	Appliance plug 1, for power supply, VAC		x	1	664-36968-3
11.6	Socket 1 with 10 m cable, for power supply		x	1	664-36078-7
12	Proximity switch	x		1	550-36980-1
13	Printed circuit board for 1 cycle				
	12/24 VDC	x		1	550-36983-1
	120 VAC	x		1	550-36983-3
	230 VAC	x		1	550-36983-5
	Printed circuit board for max. 3 cycles				
	12/24 VDC	x		1	550-36983-2
	120 VAC	x		1	550-36983-4
	230 VAC	x		1	550-36983-6
14	Low level control	x		1	550-36979-9
15	Motor, 12 VDC	x		1	550-36982-1
	Motor, 24 VDC	x		1	550-36982-2
	Motor, 120 VAC	x		1	550-36982-3
	Motor, 230 VAC	x		1	550-36982-4
15.1	Motor connection VDC		x	1	664-36968-2
15.2	Motor connection VAC		x	1	664-36968-1
16	Hydraulic lube fitting ST AR 1/8		x	1	251-14040-1
17	Adapter M 22x1.5 (o) x G 1/8 in.		x	1	304-19619-1
18	O-ring dia. 5 x1.5 mm		x	2	219-12222-2
19	SSV divider block				
	SSV V 6 - K	x		1	619-37589-1
	SSV V 12 - K	x		1	619-37590-1
	SSV V 18 - K	x		1	619-37591-1
20	Hydraulic lube fitting ST AR 1/8		x	1	251-14040-1
21	Piston plug with sealing for control pin		x	1	519-32123-1
	Sealing kit for QLS 301			1	550-36979-8

Subject to modifications

Declaration of conformity as defined by machinery directive 89/392/EEC Annex II A

This is to declare that the design of the

QLS 301 lubrication system

in the version supplied by us, complies with the provisions of the directive 91/368/EEC

Applied harmonized standards in particular

- EN 292 - 1 Safety of machinery part 1
Basic terminology, methodology
- EN 292 - 2 Safety of machinery part 2
Technical principles and specifications
- EN 809 Pumps and pump units for liquids
Safety requirements
- EN 60204-1 Safety of machinery
Electrical equipment of machines
Part 1: General requirements
- UL508

Declaration of conformity according EMV directive 89/336 EWG

We declare that the model of the

Centralized Lubrication System QLS 301

in the version supplied by us, complies with the provisions of the above - mentioned directive

Applied harmonized standards in particular

- EN 55011 Specifications, limits and methods of measurement of radio disturbance characteristics of industrial, scientific and medical (ISM) radio-frequency equipment
- EN 50081-1 Electromagnetic compatibility
Generic emission standard
Part 1: residential, commercial and light industry
- EN 50082-2 Electromagnetic compatibility
Generic immunity standard
Part 2: industrial environment

Waldorf, 05.05.1999 , Dr. Ing. Z. Paluncic

Waldorf, 05.05.1999 , Dr. Ing. Z. Paluncic

Americas:
 One Lincoln Way
 St. Louis, MO 63120-1578
 USA
 Phone +1.314.679.4200
 Fax +1.800.424.5359

Europe/Africa:
 Heinrich-Hertz-Str 2-8
 D-69183 Waldorf
 Germany
 Phone +49.6227.33.0
 Fax +49.6227.33.259

Asia/Pacific:
 25 Int'l Business Park
 #01-65 German Centre
 Singapore 609916
 Phone +65.562.7960
 Fax +65.562.9967



© Copyright 1999
 Printed in Germany
 Web site:
www.lincolnindustrial.com

Subject to modifications

Requesting a copy in Spanish

Americas:
Lincoln Industrial
One Lincoln Way
St.Louis,MO 63120
United States: 1-314-679-4200
FAX:1-314-679-4359

Europe/Africa:
Lincoln GmbH
Marketing Services
Heinrich -Hertz Strasse 2-8
Germany: 49-6227-330
Fax:49-6227-33--259

Do you need a copy of this document in your language? Simply fill out the form below and fax it to our European office or to the United States

Yes, please send me the Spanish version

Name _____

Company _____

Address _____

City _____

State _____

Postal Code _____

Country _____

Phone _____

Send me an e-mail version I can print from my computer

(My e-mail address) _____

Send me a fax version

(My fax number, include country code) _____

Subject to modifications

Requesting a copy in French

Americas:
Lincoln Industrial
One Lincoln Way
St.Louis,MO 63120
United States: 1- 314- 679- 4200
Fax:1- 314- 679- 4359

Europe/Africa:
Lincoln GmbH
Marketing Services
Heinrich - Hertz Strasse 2- 8
Germany: 49- 6227-330
Fax: 49 - 6227- 33 - 259

Do you need a copy of this document in your language? Simply fill out the form below and fax it to our European office or to the United States

Yes, please send me the French version

Name _____

Company _____

Address _____

City _____

State _____

Postal Code _____

Country _____

Phone _____

Send me an e-mail version I can print from my computer

(My e-mail address) _____

Send me a fax version

(My fax number, include country code) _____