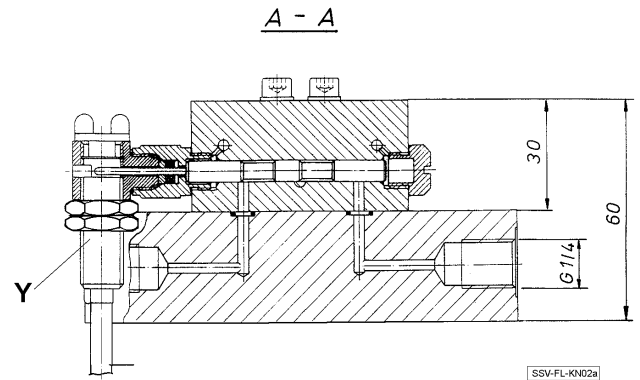
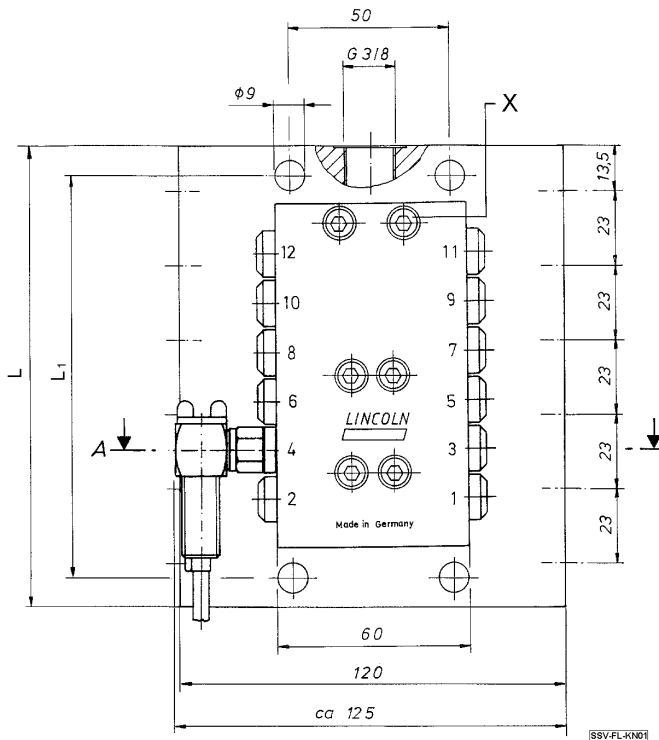


Data sheet

SSV flanged metering device type SSV-FL KN



Y: displaces drawn

X: Tightening torque 6 Nm

Closure plug -K with adapter and proximity switch is installed in piston boring No. 4 in all versions.

Type	Number of outlets	Part Nor.	L	L1
SSV-FL 1-KN	1	619-40678-1	97	79
SSV-FL 2-KN	2	619-40678-2	97	79
SSV-FL 3-KN	3	619-40678-3	97	79
SSV-FL 4-KN	4	619-40678-4	112	94
SSV-FL 5-KN	5	619-40678-5	97	79
SSV-FL 6-KN	6	619-40678-6	97	79
SSV-FL 7-KN	7	619-40678-7	112	94
SSV-FL 8-KN	8	619-40678-8	112	94
SSV-FL 9-KN	9	619-40678-9	127	109
SSV-FL 10-KN	10	619-40679-1	127	109
SSV-FL 11-KN	11	619-40679-2	142	124
SSV-FL 12-KN	12	619-40679-3	142	124

Technical Data

Lubricant output per outlet and stroke0,2 cm³
 max. operating pressure300 bar
 min. operating pressure20 bar
 max. differential pressure
 between 2 outlets100 bar
 Operating temperature-25° C to 70° C

Check valves for the metering device outlets must be ordered separately:

Tube Ø	Description	Part No.
6 mm	RS-VENT GERV 6-S G 1/4A VC	223-13052-1
8 mm	RS-VENT GERV 8-L G 1/4A VC	223-13052-2
10 mm	RS-VENT GERV 10-L G 1/4A VC	223-13052-3

Technical Data for Proximity Switch

Part no.:234-12134-2
 Operating voltage:15 - 250 VAC
 Current carrying capacity:max- 200 mA
 Minimum load current:4 mA
 Suppression:Inductive protection (varistor)
 Type of protection:IP 67

Arrangement of closure plugs

The outlet next to the closure plug as regard the sequence of delivery is fed with the double amount of lubricant.

Exception:SSV-FL1: outlet No. 2 is fed with the 6-fold amount of lubricant.

SSV-FL2: outlets No. 1 and 2 are fed with the triple amount of lubricant each.

SSV-FL3: outlets No. 1, 2 and 5 are fed with the double amount of lubricant each

