

ECOLUB[®]

***Multiline Centralized Lubrication Systems
for Mineral Oils and Greases of NLGI - grade 00 and 000***



Subject to change without notice

eco 7

Contents

Page

Parts catalog	3
Multiline centralized lubrication pump	3
Pump elements	3
Identification code - pump models	4
Connecting elements for lubrication points and lubricant feed lines	5
Connecting elements, screw-type	5
Connecting elements, push-in type	8
Lines and accessories	10
Accessories for multiline pump MLP 36	14

Parts Catalog

Multiline centralized lubrication pump MLP 36



The following parts belong to the scope of delivery of the pump:

- 1.5 l reservoir
- housing closure plug
- electric motor 12 or 24 VDC
- with or without control printed circuit board, 12 or 24 VDC
- acc. to the model available with 1 or 2 Hirschmann - connecting plugs (types E1, E2 or E3)
- fixing device
- fastening screws with accessories and operating instructions.

Note: The pump elements are not part of the pump. They have to be ordered separately.

Pump elements



Note: The pump elements are to be chosen according to the number of lubrication points and the required lubricant quantity.

Commercial vehicles, buses and machines up to 36 lube points

Model	Part N°.
MLP 36-CS-1,5ZNE1-24-F9	601-37222-2
MLP 36-CS-1,5ZNE1-12-F4	601-37221-2
MLP 36-CS-1,5ZNE2-24-F9	601-37256-2
MLP 36-CS-1,5ZNE2-12-F4	601-37255-2

Trailers and semitrailers

Model	Part N°.
MLP 36-CS-1,5ZNE1-24-H5	601-37231-2
MLP 36-CS-1,5ZNE1-12-H1	601-37230-2

Pumps for „2-pump“ systems up to 72 lube points
Commercial vehicles, buses and machines

Model	Part N°.
MLP 36-CS-1,5ZNE3-24-F9	601-37246-2
MLP 36-CS-1,5ZNE3-12-F4	601-37245-2

Trailers and semitrailers

Model	Part N°.
MLP 36-CS-1,5ZNE3-24-H5	601-37250-2
MLP 36-CS-1,5ZNE3-12-H1	601-37249-2

Pump without control unit

Model	Part N°.
MLP 36-CS-1,5ZN-24	601-37248-2
MLP 36-CS-1,5ZN-12	601-37247-2

Connector, screw-type

Output per Stroke	Colour Ring	Part N°.
0.01 cm ³	white	601-27273-1
0.02 cm ³	yellow	601-27274-1
0.03 cm ³	red	601-27275-1
0.04 cm ³	green	601-27276-1
0.06 cm ³	blue	601-27277-1

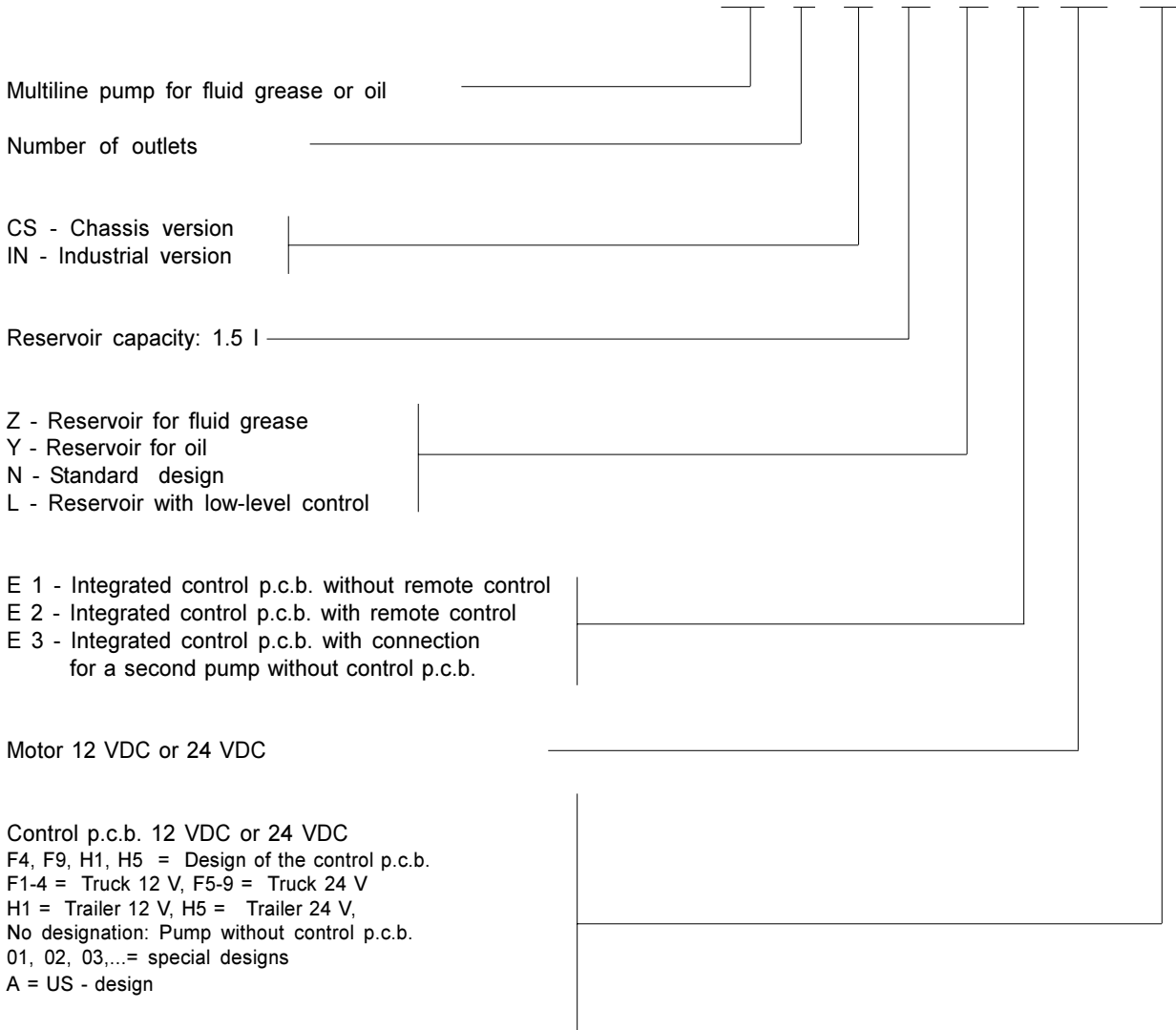
Connector, push-in type

Output per Stroke	Colour Ring	Part N°.
0.01 cm ³	white	601-28018-1
0.02 cm ³	yellow	601-28019-1
0.03 cm ³	red	601-28020-1
0.04 cm ³	green	601-28021-1
0.06 cm ³	blue	601-28022-1

Identification Codes - Pump Models

Examples for model designations

MLP 36 CS -1.5 ZN E1 - 12 - F4
 MLP 36 CS -1.5 ZN E1 - 24 - H5
 MLP 36 CS -1.5 ZN E2 - 12 - F9
 MLP 36 CS -1.5 ZN E3 - 12 - F9
 MLP 36 IN - 1.5 ZN - 24
 MLP 36 IN - 1.5 ZN E1 - 24 - F9
 MLP 36 IN - 1.5 YL - 24



Subject to change without notice

Connecting Elements for Lube Points and Lubrication Feed Lines

Identification Codes for Fittings

Examples

	WE	6	-LL	M8x1K	C
	GE	4	-LL	R1/8K	C
	SWVE	6	-LL	M10x1K	C
	TR	10/6/10	-L		C
	T	6	-LL		C

Fitting type abbreviation	_____	_____	_____	_____	_____
Tube diameter (mm)	_____	_____	_____	_____	_____
Series (LL, L)	_____	_____	_____	_____	_____
Male thread, tapered, cylindrical	_____	_____	_____	_____	_____
Finish, yellow chromate	_____	_____	_____	_____	_____

Connecting Elements, Screw-Type

Male connector (Ø 4 mm)



Model	Part N°.
GE4-LLM 6x1KC	223-12533-5
GE4-LLM 8x1KC	223-12271-8
GE4-LLM 10x1KC	223-13069-1
GE4-LLR 1/8KC	223-12270-8

Male elbow (Ø 4 mm)



Model	Part N°.
WE4-LLM 6x1KC	223-12533-6
WE4-LLM 8x1KC	223-13021-5
WE4-LLM 10x1KC	223-13069-2
WE4-LLR 1/8KC	223-13021-4

Subject to change without notice

Extension adapter



1097a96

Model	Thread female	Thread male	Part N°.
RK 421	M 8x1	M 6x1 K	712-12723-8
RK 422	M 8x1	M 8x1 K	712-12723-7
	M 10x1	M 10x1 KC	304-19509-1
	M 10x1	R 1/8 KC	304-19230-1
RK 605	M 10x1	M 12x1 KC	712-12724-7
	R 1/8	M 8x1 KC	304-19167-1
	M 8x1	M 8x1,25 KC*	304-19548-1

* for Renault

Adapter 90 °



1098a96

Thread male	Thread female	Part N°.
M 8x1 K	M 8x1 C	432-24043-1
M 10x1 K	M 8x1 C	432-24052-1

Adapter 45 °



1099a96

Thread male	Thread female	Part N°.
M 8x1	M 8x1	432-24050-1
M 10x1	M 8x1	432-24051-1

Banjo connector



Model	Tube Ø	Part N°.
SWV E4-LLG 1/8 AC	4 mm	223-13629-1
SWV E4-LLM 10x1 C	4 mm	223-12480-8

Straight swivel



Model	Part N°.
1/8 i x 1/8 a NPT	223-12567-3

Note: To be used only for occasional rotary motions.

90° Angle swivel



Model	Part N°.
1/8 i x 1/8 a NPT	223-12567-1

Note: To be used only for occasional rotary motions.

Union



Model	Tube Ø	Part N°.
G4-LLC	4 mm	223-12531-8

Identification Codes for Quick Plug-Type Fittings

Examples

WEK	6500-	-6-	M8x1	S01
GEK	6510-	-4-	R1/8	S02
SWVZ	6540-	-6-	M10x1	S01
GS	6580-	-6-		S02
TS	6540-	-6-		S01

Fitting type abbreviation
Type designation (manufacturer)
Tube diameter (mm)
Male thread, tapered (if any)
Special designs

Connecting Elements, Push-in Type

Male connector, push-in type



Model	Tube Ø	Part N°.
GEK 6510-4-M 6x1-S01	4 mm	226-13752-3
GEK 6510-4-M 8x1-S01	4 mm	226-13752-1
GEK 6510-4-M 10x1-S01	4 mm	226-13752-2
GEK S6510-4-1/8-S01	4 mm	226-13752-4

Male elbow, push-in type



Model	Tube Ø	Part N°.
WEK 6500-4-M 6x1-S01	4 mm	226-13753-5
WEK 6500-4-M 8x1-S01	4 mm	226-13753-1
WEK 6500-4-M 10x1-S01	4 mm	226-13753-2
WEK 6500-4-1/8-S01	4 mm	226-13753-3

Male elbow, push-in type, rotatable



Model	Tube Ø	Part N°.
WEDK 6520-4-M 8x1-S01	4 mm	226-13756-1
WEDK 6520-4-M 10x1-S01	4 mm	226-13756-2

Note: Use only for occasional rotary motions, pivoting angle < 180 °. For other applications use a straight rotary swivel, 90° or a similar fitting.

Line connector, push-in type



Model	Part N°.
for pressure plastic tube Ø 4 x 1 mm	
GS 6580-4	226-13773-1

Note: To be used for the repair of high-pressure plastic hose.

Protecting cap for push-in type fittings



00002630

Part N°.

432-24313-1

Note: For the protection against humidity and dirt.

Assortment case



1144a96

Designation

Part N°.

ECOLUB assortment case

640-28197-1

Note: For the completion or repair of ECOLUB centralized lubrication systems.

Lines and Accessories

High pressure plastic hose (lubrication feed line), filled with grease



1145a96

Item	Designation	Dimensions	Part N°.
------	-------------	------------	----------

1	High pressure pl.hose	Ø 4x1 mm	501-36084-1
---	-----------------------	----------	-------------

Bursting pressure at 20° C approx. 200 bar

Min. bending radius 50 mm

Pressure plastic tube (lubrication feed line), without grease filling



1145a96

Item	Designation	Dimensions	Part N°.
------	-------------	------------	----------

1	Pressure pl. tube*	Ø 4x1 mm	112-35127-7
---	--------------------	----------	-------------

Bursting pressure at 20° C..... approx. 200 bar
Min. bending radius..... 50 mm

**Note: In the case of systems used for commercial vehicles use pressure plastic tubes only for dispensing fluid grease.*

Tube clamp with rubber lining

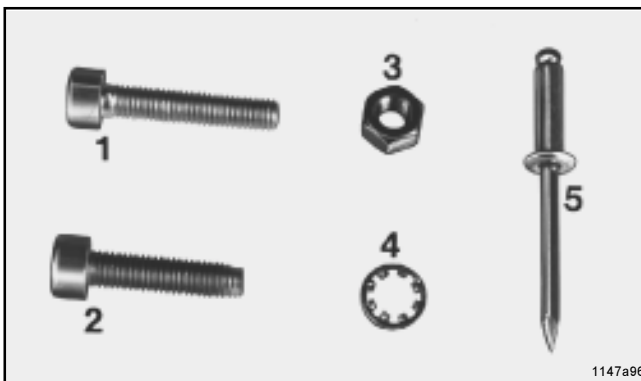


1146a96

Tube diameter (mm)	Fixing borehole (mm)	Part N°.
--------------------	----------------------	----------

6	5.5	226-12557-1
9	5.5	226-12557-2
10	5.5	226-12557-7
12	5.5	226-12557-3
15	5.5	226-12557-4
20	5.5	226-12557-6

Fixing parts for tube clamp



1147a96

Item	Designation	Dimension	Part N°.
------	-------------	-----------	----------

1	Pan head screw	M 5x16 C	201-12040-7
	Hexagon head screw	M 5x45 C	200-13017-5
2	Self-tapping screw	M 5x16 Z	206-13710-1
		M 5x40 Z	206-13710-2
3	Nut	M 5 C	207-12138-2
4	Tooth lock washer	J 5.3 Z	210-12161-9
5	Blind rivet	D 4	206-12584-1

Plastic helix



Diameter in mm	Part N°.
6	113-35075-2
12	113-35075-3

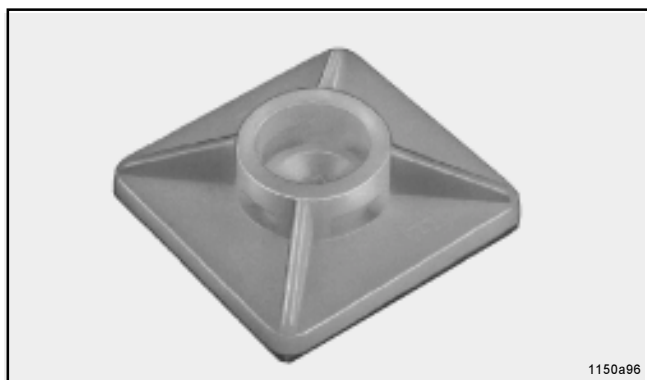
The plastic helix is used to bundle several tubes together. It also protects the tubes against wearing in the case of moving lubrication points.

Hose strap



Designation	Part N°.
short	226-12490-3
long	226-13095-1

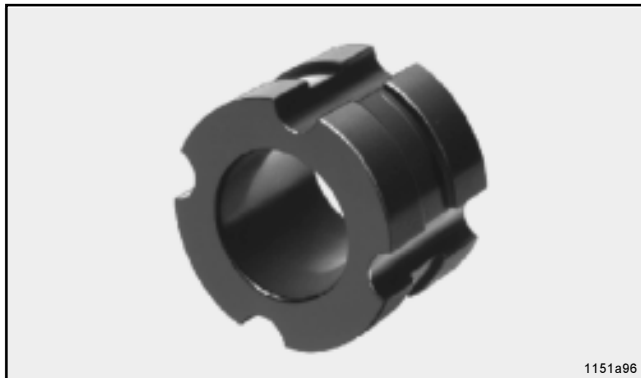
Adhesive clamp



Dimensions	Part N°.
28 x 28 mm	226-13095-6

For attachment of pressure plastic tubes, this clamp is glued to a smooth part on the vehicle frame. Attach the pressure plastic tubes to the adhesive clamp by means of a hose strap.

Spacer



Part N°.

432-23774-1

For the attachment of pressure plastic tubes (Ø 4x1mm) to existing tube lines. Attach the pressure plastic hoses and the spacer by means of a hose strap.
Material: CR (Chloroprene-caoutchouc)

Cable sleeve



For tube Ø

Part N°.

6 mm

237-13375-1

9 mm

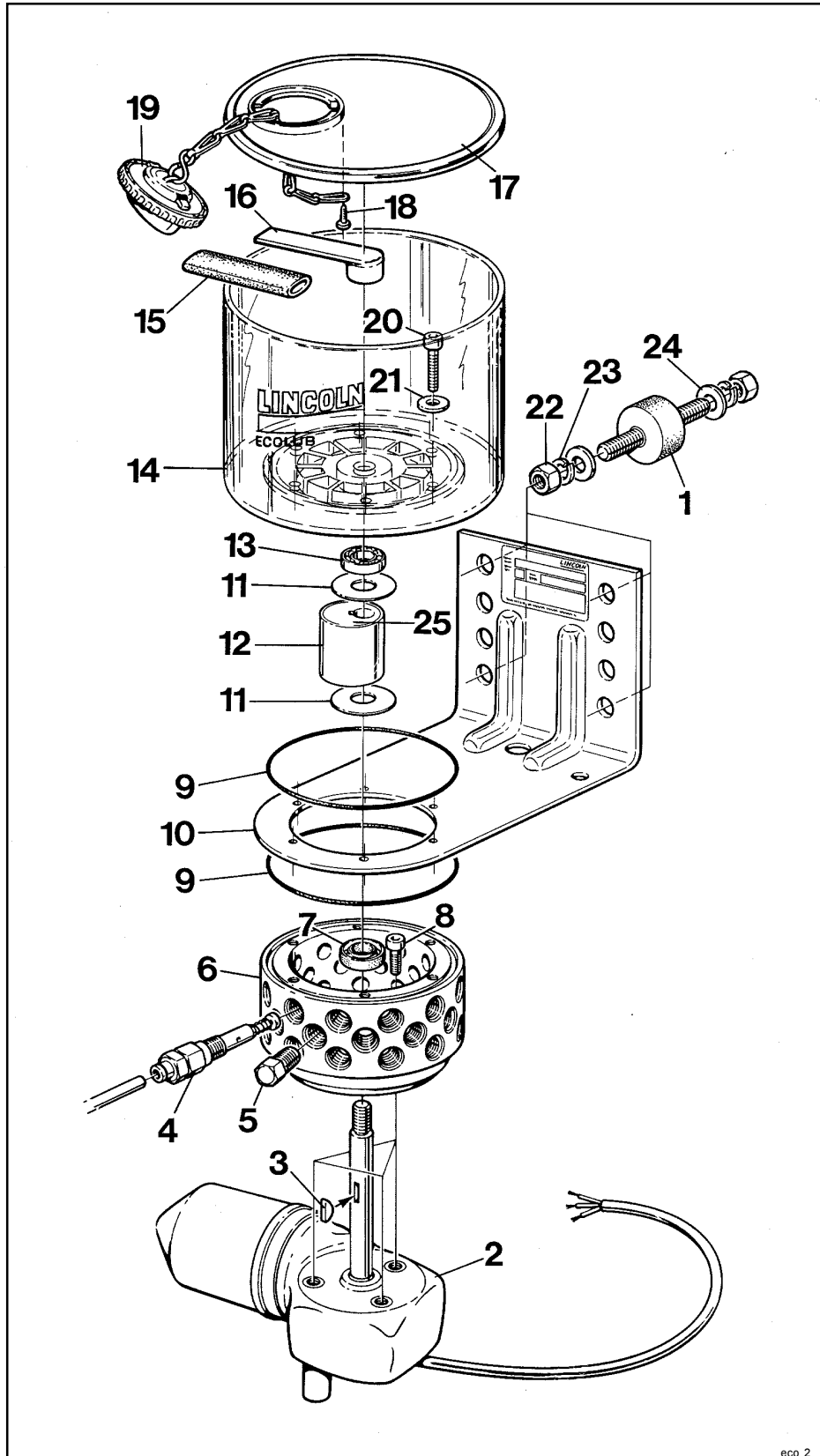
237-13375-2

15 mm

237-13375-3

Used for the connections on frames, etc.

**Components of the Multiline Pump MLP 36 (previous Design)
without Control Printed Circuit Board**



eco 2

Subject to change without notice

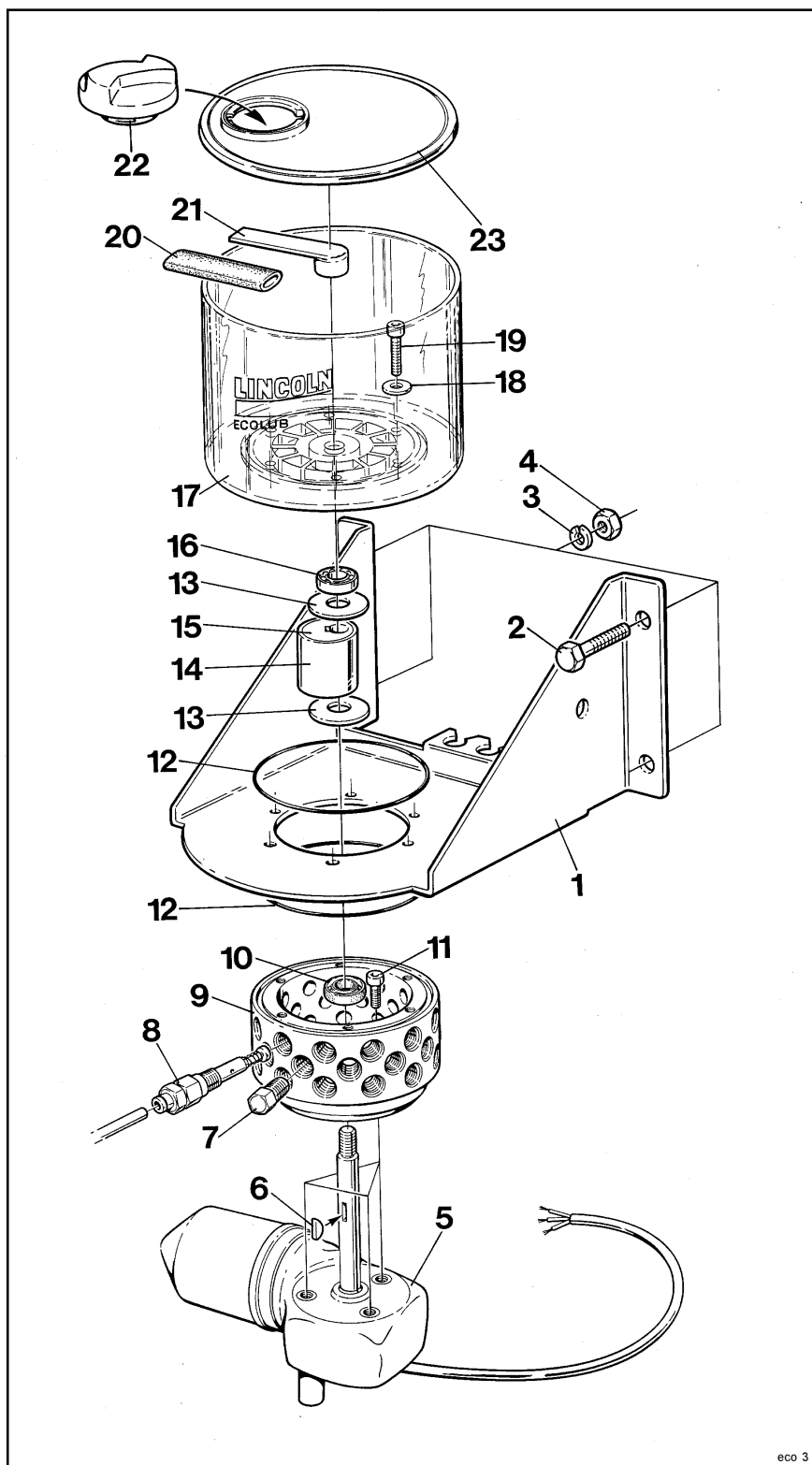
Parts List

Item	Designation	Qty.	Part N°.	Item	Designation	Qty.	Part N°.
1	Vibration damper	4	233-13073-1	5	Closure plug	32	303-19257-1
2	Electric motor, compl. 12 VDC*	1	501-30890-1	6	Housing	1	401-23043-1
	Electric motor, compl. 24 VDC*	1	501-30788-1	7	Rotary shaft seal	1	220-12231-3
	Electric motor, compl. 12 VDC**	1	501-30789-1	8	Hex. socket head screw M 6x25	3	201-13668-2
	Electric motor, compl. 24 VDC**	1	501-30863-1	9	O - ring ø 90 x 3	2	219-13601-4
3	Woodruff key 3 x 5	1	214-13123-1	10	Pump support	1	401-23413-1
4	Pump elements, screw-type	1-36		11	Shim	2	318-19254-1
	4 K 4.0 - 0.01 white		601-27273-1	12	Eccentric	1	401-23405-1
	4 K 4.0 - 0.02 yellow		601-27274-1	13	Grooved ball bearing ø 10x26x8	1	250-14009-7
	4 K 4.0 - 0.03 red		601-27275-1	14	Reservoir, 1.5 l	1	501-36085-3
	4 K 4.0 - 0.04 green		601-27276-1	15	Scraper rubber	1	111-35089-2
	4 K 4.5 - 0.06 blue		601-27277-1	16	Control wing	1	501-30805-1
	Pump elements, screw-type	1-36		17	Reservoir cover	1	319-19256-1
	6 K 4.0 - 0.01 white		601-27693-1	18	Sheet metal screw	1	206-13031-8
	6 K 4.0 - 0.02 yellow		601-27694-1	19	Filler cap	1	221-12488-3
	6 K 4.0 - 0.03 red		601-27695-1	20	Hex. socket head screw M 5 x 22	6	201-13668-2
	6 K 4.0 - 0.04 green		601-27696-1	21	Washer 5.3	6	209-13649-2
	6 K 4.5 - 0.06 blue		601-27697-1	22	Hexagon nut M 8	6	207-12135-8
	Pump elements, screw-type	1-36		23	Spring lock washer	8	213-12505-3
	1/8 K 4.0 - 0.01 white		601-27390-1	24	Washer	8	209-13077-1
	1/8 K 4.0 - 0.02 yellow		601-27391-1	25	Thrust collar	1	401-23407-1
	1/8 K 4.0 - 0.03 red		601-27392-1				
	1/8 K 4.0 - 0.04 green		601-27393-1				
	1/8 K 4.5 - 0.06 blue		601-27394-1				
	Pump elements, push-in type	1-36					
	4 K 4.0 - 0.01 white		601-28018-1				
	4 K 4.0 - 0.02 yellow		601-28019-1				
	4 K 4.0 - 0.03 red		601-28020-1				
	4 K 4.0 - 0.04 green		601-28021-1				
	4 K 4.5 - 0.06 blue		601-28022-1				

* Electric motor with 3 m connecting cable

** Electric motor with 3 m connecting cable and Hirschmann adapter for connecting the second pump to the first one (E3).

**Components of the Multiline Pump MLP 36 (new Design)
without Control P.C.B.**



Subject to change without notice

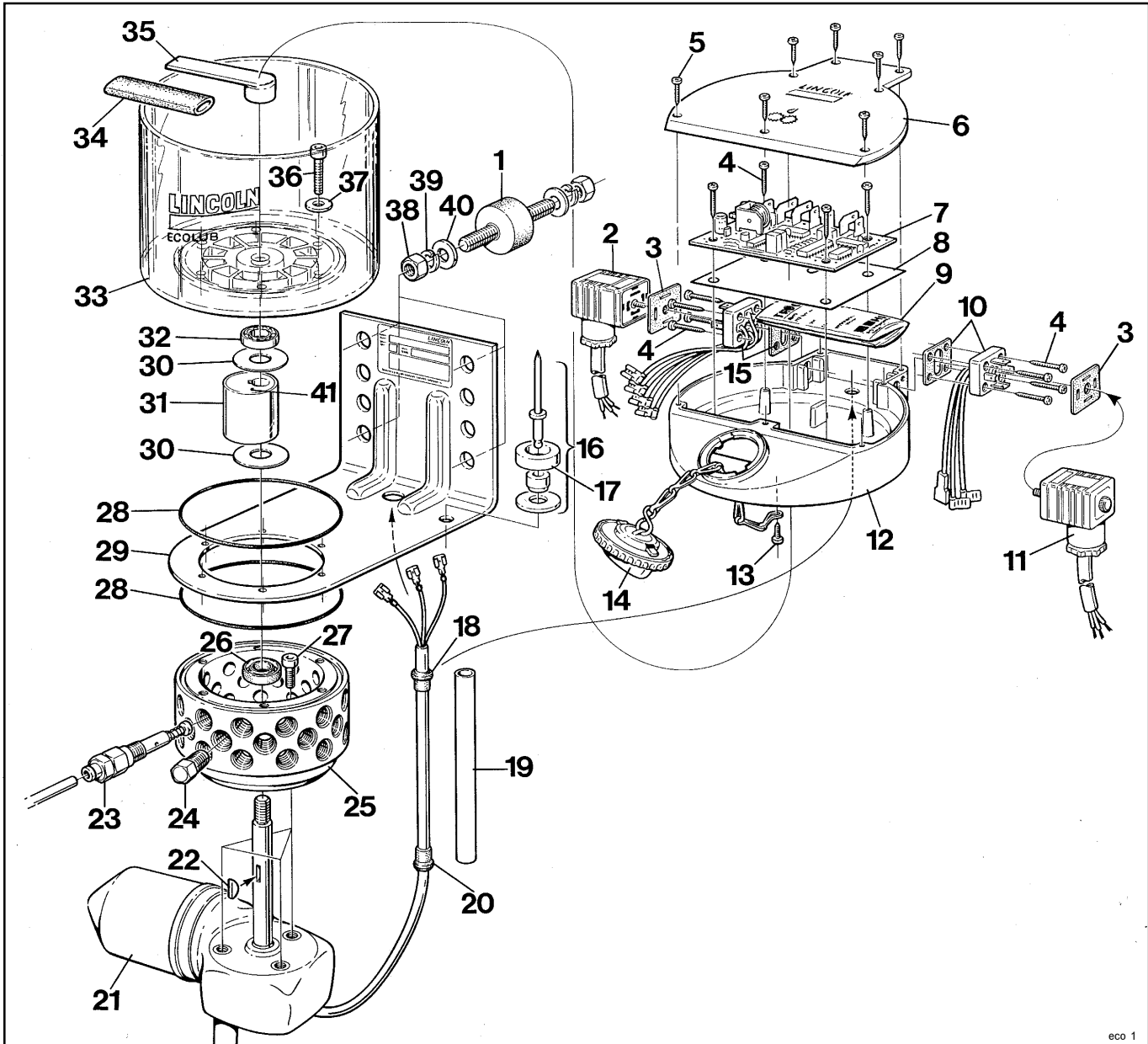
Parts List

Item	Designation	Qty.	Part N°.	Item	Description	Qty.	Part N°.
1	Pump support	1	401-24016-1		Pump elements, push-in type	1-36	
2	Hexagonal screw M 8 x 30	4	200-12007-6		4 K 4.0 - 0.01 white		601-28018-1
3	Spring lock washer	4	213-12505-3		4 K 4.0 - 0.02 yellow		601-28019-1
4	Hexagonal nut M 8	4	207-12135-8		4 K 4.0 - 0.03 red		601-28020-1
5	Electric motor, compl. 12 VDC*	1	501-30890-1		4 K 4.0 - 0.04 green		601-28021-1
	Electric motor, compl. 24 VDC*	1	501-30788-1		4 K 4.5 - 0.06 blue		601-28022-1
	Electric motor, compl. 12 VDC**	1	501-30789-1				
	Electric motor, compl. 24 VDC**	1	501-30863-1	9	Housing	1	401-23043-1
6	Woodruff key 3 x 5	1	214-13123-1	10	Rotary shaft seal	1	220-12231-3
7	Closure plug M 12 x 1	32	303-19257-1	11	Hex. socket head screw M 6x25	3	201-12534-1
8	Pump elements, screw-type	1-36		12	O - ring ø 90 x 3	2	219-13601-4
	4 K 4.0 - 0.01 white		601-27273-1	13	Shim	2	318-19254-1
	4 K 4.0 - 0.02 yellow		601-27274-1	14	Thrust collar	1	401-23407-1
	4 K 4.0 - 0.03 red		601-27275-1	15	Eccentric	1	401-23405-1
	4 K 4.0 - 0.04 green		601-27276-1	16	Grooved ball bearing ø 10x26x8	1	250-14009-7
	4 K 4.5 - 0.06 blue		601-27277-1	17	Reservoir, 1.5 l	1	501-36085-3
	Pump elements, screw-type	1-36		18	Washer 5.3	6	209-13649-2
	6 K 4.0 - 0.01 white		601-27693-1	19	Hex. socket head screw M 5 x 22	6	201-13668-2
	6 K 4.0 - 0.02 yellow		601-27694-1	20	Scraper rubber	1	111-35089-2
	6 K 4.0 - 0.03 red		601-27695-1	21	Control wing	1	501-30805-1
	6 K 4.0 - 0.04 green		601-27696-1	22	Filler cap	1	221-12488-4
	6 K 4.5 - 0.06 blue		601-27697-1	23	Reservoir cover	1	319-19256-1
	Pump elements, screw-type	1-36					
	1/8 K 4.0 - 0.01 white		601-27390-1				
	1/8 K 4.0 - 0.02 yellow		601-27391-1				
	1/8 K 4.0 - 0.03 red		601-27392-1				
	1/8 K 4.0 - 0.04 green		601-27393-1				
	1/8 K 4.5 - 0.06 blue		601-27394-1				

* Electric motor with 3 m connecting cable

** Electric motor with 3 m connecting cable and Hirschmann adapter for connecting the second pump to the first one (E3).

**Components of the Multiline Pump MLP 36 (previous Design)
with integrated Control P.C.B.**



eco 1

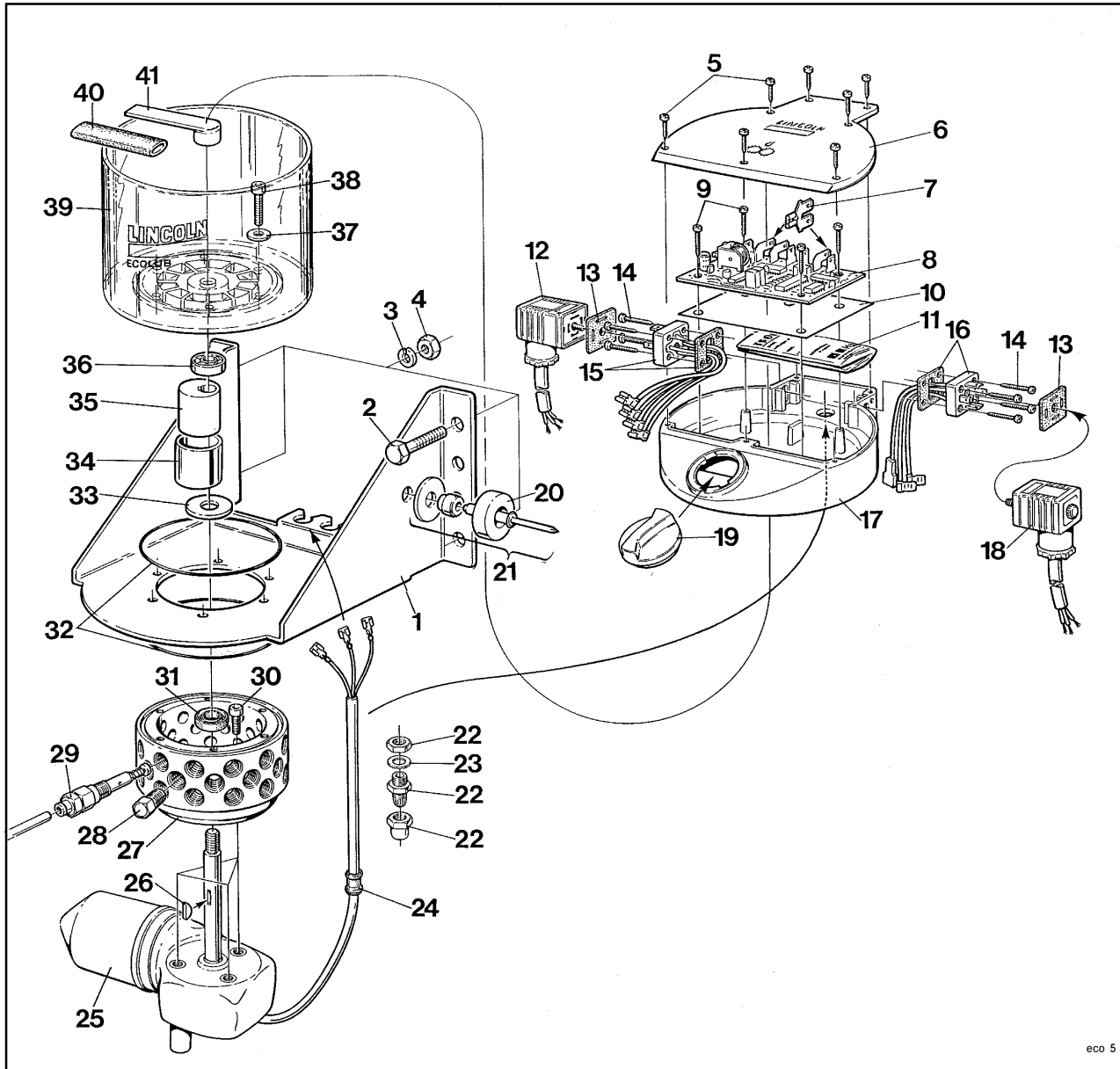
Subject to change without notice

Parts List

Item	Designation	Qty.	Part N°.	Item	Designation	Qty.	Part N°
1	Vibration damper	4	233-13073-1		Pump elements, screw-type	1-36	
2	Socket 1 with 10 m cable	1	664-36078-7		6 K 4.0 - 0.01 white		601-27693-1
	Socket 1 with 3 m cable*	1	664-36078-6		6 K 4.0 - 0.02 yellow		601-27694-1
	Socket 1 with 14 m cable	1	664-36088-4		6 K 4.0 - 0.03 red		601-27695-1
3	Flat sealing ring	2	236-13294-3		6 K 4.0 - 0.04 green		601-27696-1
4	Sheet metal screw C-H 2.9x16 C	8	206-13031-7		6 K 4.5 - 0.06 blue		601-27697-1
5	Sheet metal screw C-H 2.9x16 A2	7	206-13725-5				
6	Reservoir cover	1	401-23449-1		Pump elements, screw-type	1-36	
7	Time Control P.C.B., truck (F4, F9)				1/8 K 4.0 - 0.01 white		601-27390-1
	12 VDC	1	236-13295-4		1/8 K 4.0 - 0.02 yellow		601-27391-1
	24 VDC	1	236-13295-9		1/8 K 4.0 - 0.03 red		601-27392-1
	Time Control P.C.B., trailer (H2, H 6)				1/8 K 4.0 - 0.04 green		601-27393-1
	12 VDC	1	236-13293-2		1/8 K 4.5 - 0.06 blue		601-27394-1
	24 VDC	1	236-13293-6				
8	Protective foil	1	401-23497-1		Pump elements, screw-type	1-36	
9	Desiccant bag	1	120-35212-1		4 K 4.0 - 0.01 white		601-28018-1
10	Connector 2 (E2, E3) with cable	1	664-36088-1		4 K 4.0 - 0.02 yellow		601-28019-1
11	Socket 2 with 10 m cable	1	664-36078-9		4 K 4.0 - 0.03 red		601-28020-1
	Socket 2 with 14 m cable	1	664-36088-5		4 K 4.0 - 0.04 green		601-28021-1
12	Reservoir cover	1	401-23450-1		4 K 4.5 - 0.06 blue		601-28022-1
13	Sheet metal screw C-H 3.5x9.5 C	4	206-13031-8				
14	Filler cap with chain	1	221-12488-3	25	Housing	1	401-23403-1
15	Connector 1 (E 1, E2, E3) with cable	1	664-36078-5	26	Rotary shaft seal	1	220-12231-3
16	Kit magnet with magnet holder	1	540-31782-1	27	Hex. socket head screw M 6x25	3	201-12534-1
17	Magnet	1	234-13132-4	28	O - ring ø 90 x 3	2	219-13601-4
18	Cable guide sleeve, one-side	1	237-13375-2	29	Pump support	1	401-23413-1
19	Protective tube	1	401-23473-1	30	Shim	2	318-19254-1
20	Cable sleeve	1	237-13395-1	31	Thrust collar	1	401-23407-1
21	Electric motor, compl. 12 VDC	1	501-30787-1	32	Grooved ball bearing ø 10x26x8	1	250-14009-7
	Electric motor, compl. 24 VDC	1	501-30786-1	33	Reservoir, 1.5 l	1	501-36085-3
22	Woodruff key 3 x 5	1	214-13123-1	34	Scraper rubber	1	111-35089-2
24	Closure plug M 12 x 1	32	303-19257-1	35	Control wing	1	501-30805-1
23	Pump elements, screw-type	1-36		36	Hex. socket head screw M 5 x 22	6	201-13668-2
	4 K 4.0 - 0.01 white		601-27273-1	37	Washer 5.3	6	209-13649-2
	4 K 4.0 - 0.02 yellow		601-27274-1	38	Hexagonal nut M 8 C	8	207-12135-8
	4 K 4.0 - 0.03 red		601-27275-1	39	Spring lock washer	8	213-12505-3
	4 K 4.0 - 0.04 green		601-27276-1	40	Washer	8	209-13077-1
	4 K 4.5 - 0.06 blue		601-27277-1	41	Eccentric	1	401-23405-1

* Industrial version

**Components of the Multiline Pump MLP 36 (new Design)
with integrated Control P.C.B.**



eco 5

Subject to change without notice

Parts List

Item	Designation	Qty	Part N°	Item	Designation	Qty.	Part N°.
1	Pump support	1	401-24016-1	24	Cable sleeve	1	237-13390-2
2	Hexagonal screw M 8 x 30	4	200-12007-6	25	Electric motor, compl. 12 VDC	1	501-30787-1
3	Spring lock washer	4	213-12505-3		Electric motor, compl. 24 VDC	1	501-30786-1
4	Hexagonal nut M 8 C	4	207-12135-8	26	Woodruff key 3 x 5	1	214-13123-1
5	Sheet metal screw C-H 2.9x16 A2	7	206-13725-5	27	Housing	1	401-23403-1
6	Reservoir cover	1	401-23449-1	28	Closure plug M 12 x 1	32	303-19257-1
7	Adapter 6.3	2	237-13398-1				
	Adapter 6.3 (for version E3)	3	237-13398-1	29	Pump elements, screw-type	1-36	
8	Time control p.c.b., truck (F4, F9)				4 K 4.0 - 0.01 white		601-27273-1
	12 VDC	1	236-13295-4		4 K 4.0 - 0.02 yellow		601-27274-1
	24 VDC	1	236-13295-9		4 K 4.0 - 0.03 red		601-27275-1
	Time control p.c.b., trailer (H2, H 6)				4 K 4.0 - 0.04 green		601-27276-1
	12 VDC	1	236-13293-2		4 K 4.5 - 0.06 blue		601-27277-1
	24 VDC	1	236-13293-6				
9	Sheet metal screw C-H 3.5x9.5 C	4	206-13031-8		Pump elements, screw-type	1-36	
10	Protective foil	1	401-23497-1		6 K 4.0 - 0.01 white		601-27693-1
11	Desiccant bag	1	120-35212-1		6 K 4.0 - 0.02 yellow		601-27694-1
12	Socket 1 with 10 m cable	1	664-36078-7		6 K 4.0 - 0.03 red		601-27695-1
	Socket 1 with 3 m cable*	1	664-36078-6		6 K 4.0 - 0.04 green		601-27696-1
	Socket 1 with 14 m cable	1	664-36088-4		6 K 4.5 - 0.06 blue		601-27697-1
13	Flat sealing ring	2	236-13294-3				
14	Sheet metal screw C-H 2.9x16 C	8	206-13031-7		Pump elements, screw-type	1-36	
15	Connector 1 (E 1, E2, E3)				1/8 K 4.0 - 0.01 white		601-27390-1
	with cable	1	664-36078-5		1/8 K 4.0 - 0.02 yellow		601-27391-1
16	Connector 2 (E2, E3)				1/8 K 4.0 - 0.03 red		601-27392-1
	with cable (previous version)	1	664-36088-1		1/8 K 4.0 - 0.04 green		601-27393-1
	Connector 2 (E2, E3)				1/8 K 4.5 - 0.06 blue		601-27394-1
	with cable (new version)	1	664-36078-5				
17	Reservoir cover	1	401-23450-1		Pump elements, push-in type	1-36	
18	Socket 2 with 10 m cable**	1	664-36078-9		4 K 4.0 - 0.01 white		601-28018-1
					4 K 4.0 - 0.02 yellow		601-28019-1
19	Filler cap	1	221-12488-4		4 K 4.0 - 0.03 red		601-28020-1
20	Magnet	1	234-13132-4		4 K 4.0 - 0.04 green		601-28021-1
21	Kit magnet with magnet holder	1	540-31782-1		4 K 4.5 - 0.06 blue		601-28022-1
22	Counter nut KF PG 9	1	237-13352-8				
	Cable gland	1	237-13397-3	30	Hex. socket head screw M 6x25	3	201-12534-1
23	Seal ring ABIL ø 15.2x19.5x0,12	1	306-19549-1	31	Rotary shaft seal	1	220-12231-3
				32	O -ring ø 90 x 3	2	219-13601-4
				33	Shim	2	318-19254-1
				34	Thrust collar	1	401-23407-1
				35	Eccentric	1	401-23405-1
				36	Grooved ball bearing ø 10x26x8	1	250-14009-7
				37	Washer 5.3	6	209-13649-2
				38	Hex. socket head screw M 5x22	6	201-13668-2
				39	Reservoir, 1.5 l	1	501-36085-3
				40	Scraper rubber	1	111-35089-2
				41	Control wing	1	501-30805-1

* Industrial version
** not for E3 design

Low-level control for oil

Floating magnetic switch	1	401-23898-1
Cable, 3 m	1	664-36078-3
Strainer	1	235-13128-2
Plug	1	236-13277-6
Flat sealing ring	1	236-13277-7
Socket	1	236-13277-9

Subject to change without notice