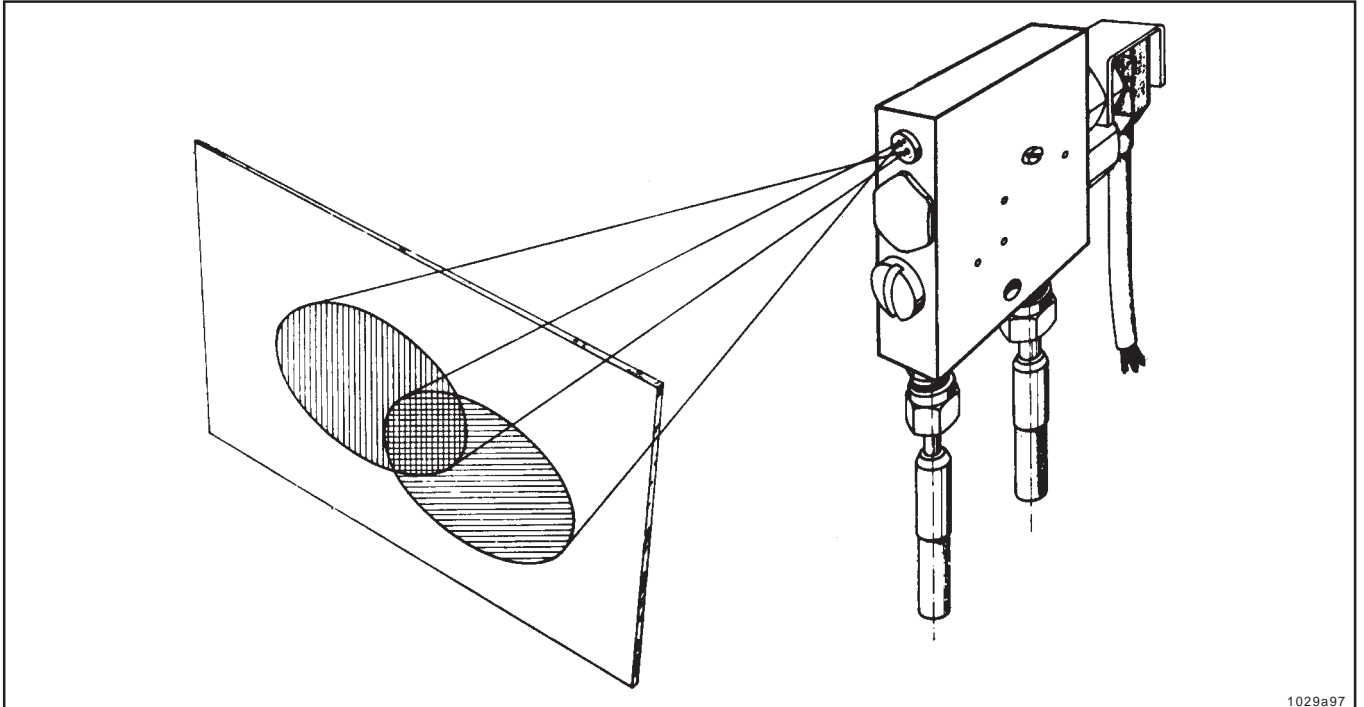
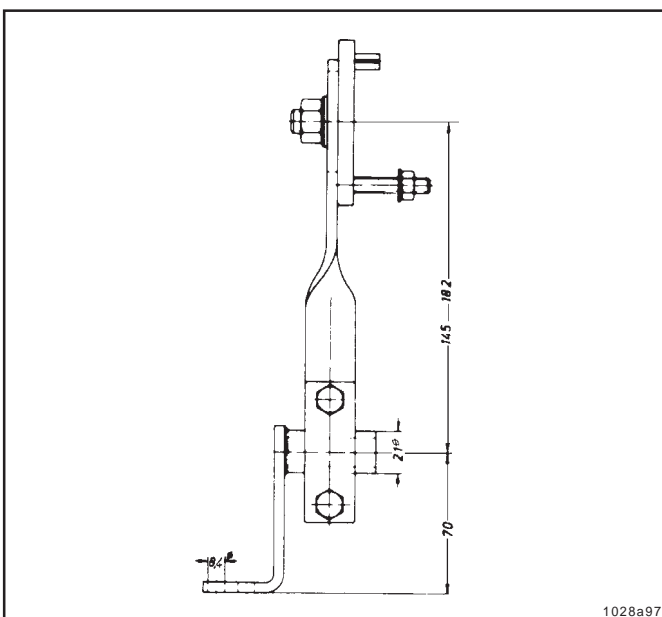


### Accessories for the spray lubrication system Type HSA

#### Spraying pattern

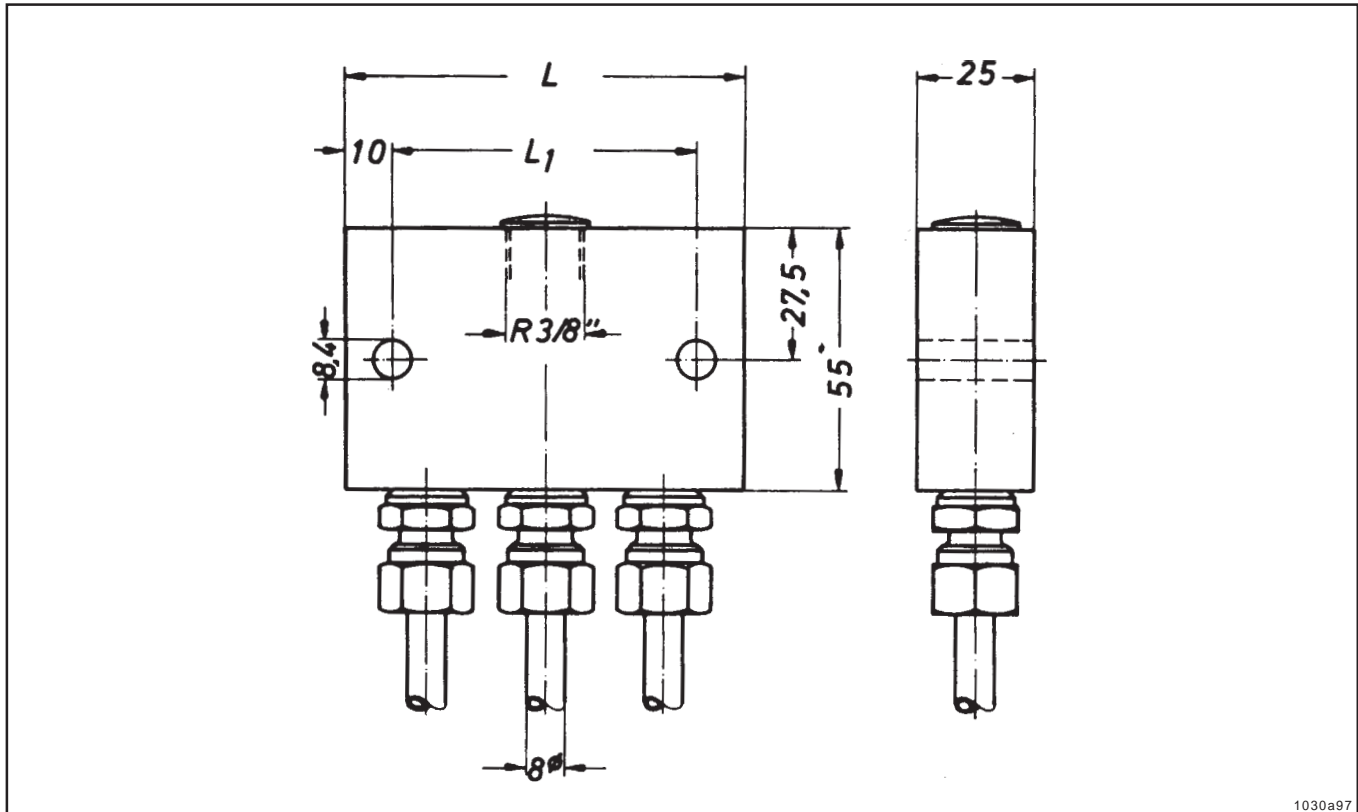


#### Bracket



Subject to modifications

Compressed air distributor

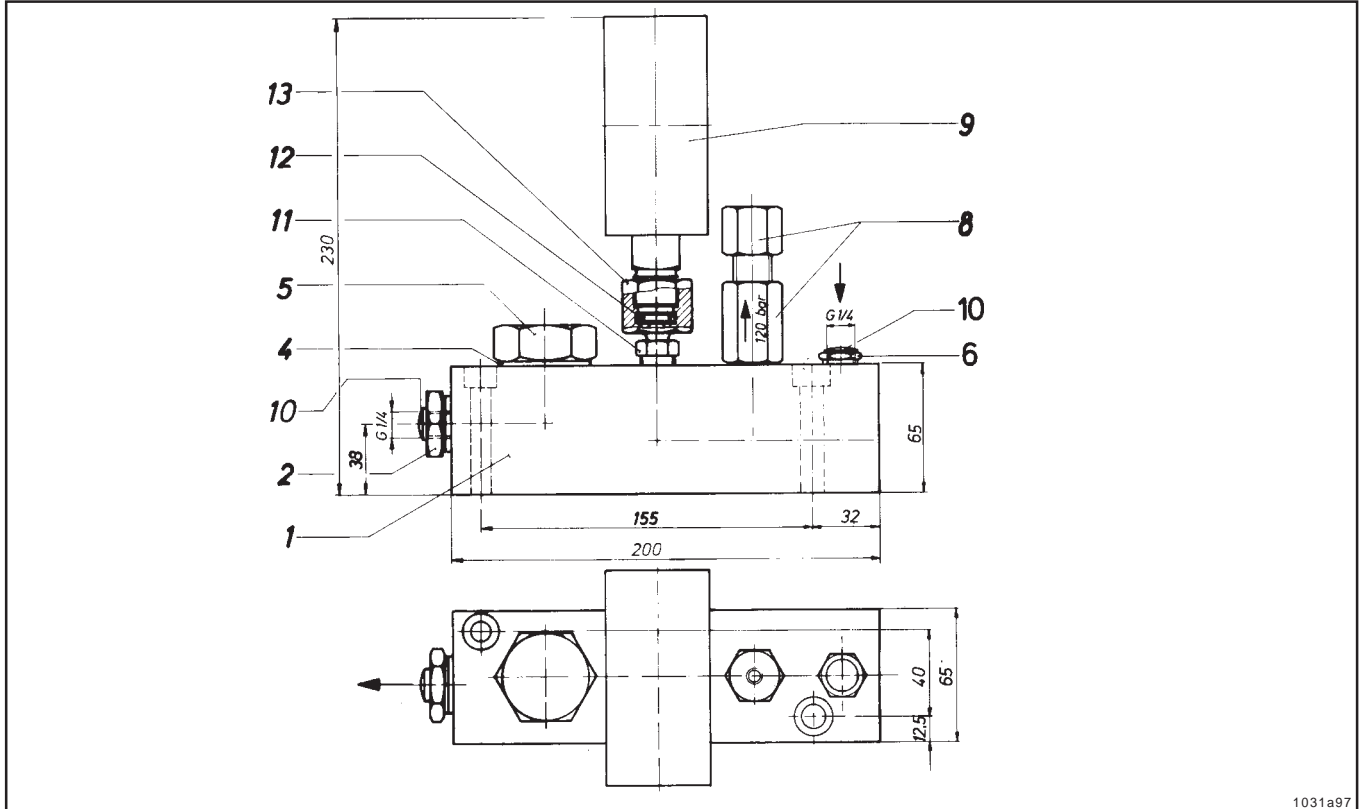


1030a97

Number of connections	L	L1
2	60	40
3	84	64
4	108	88

## Spray lubrication system Type HSA

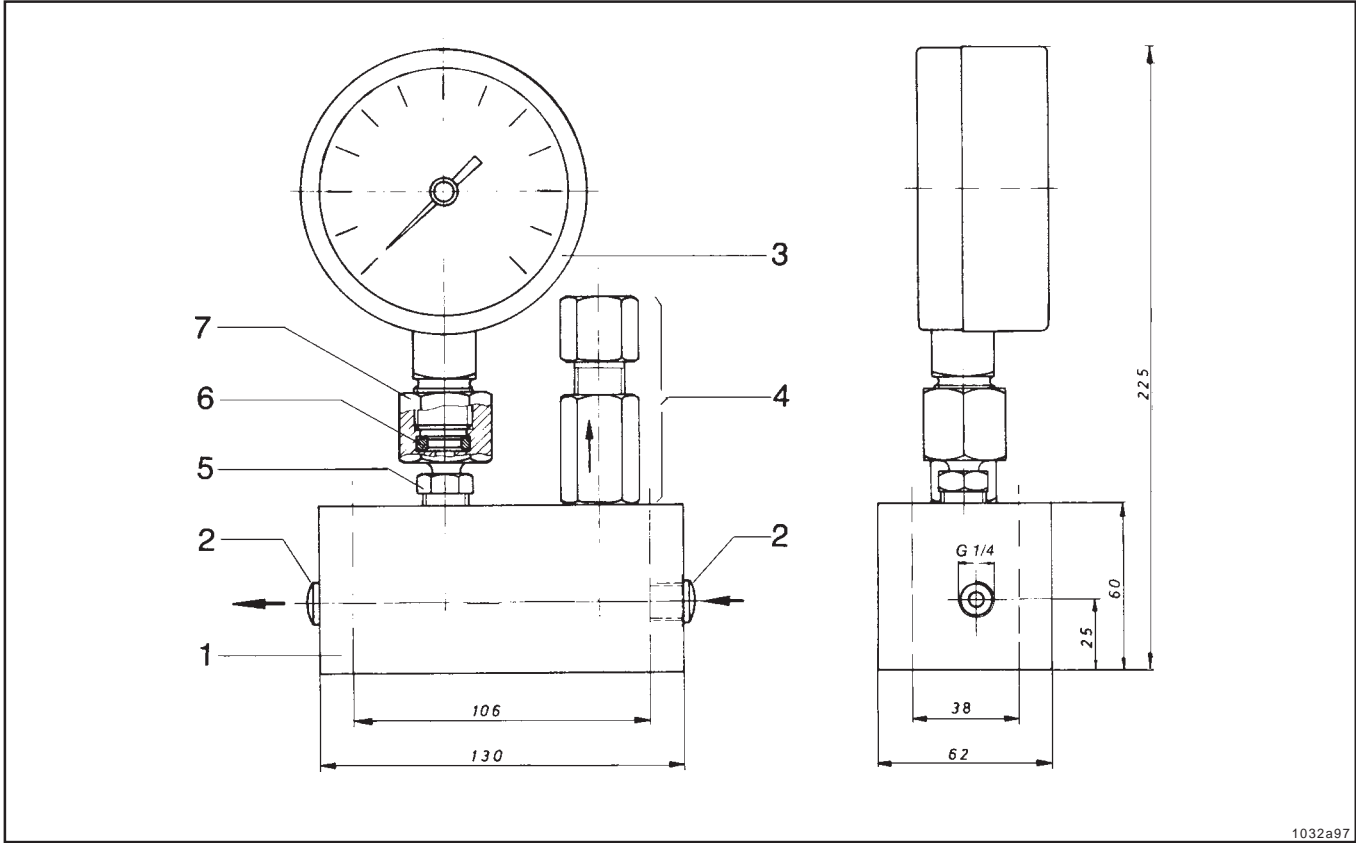
### Lubricant filter unit



1031a97

Item	Designation	Part-No.
1	Filter block casing	428-21557-2
2	Reducing bush R3/4 x RP 1/4	222-12256-5
3		
4	Seal-ring 34,3 x 43 x 2	220-12238-3
5	Strainer w/o seal ring	528-31560-1
6	Reducing bush R3/4 x RP 1/4	222-12255-6
8	Relief valve (preset to 120 bar)	624-25465-1
9	Pressure gauge 0...250 bar, Ø 100	234-13101-5
10	Plug TL-4-119	233-13100-2
11	Compression nut s 10-L	223-12457-1
	Cutting and clamping ring d 10-L/S	223-12295-8
12	Bind head ring dki R 1/2"	222-12597-1
13	Adapter	30417573-1

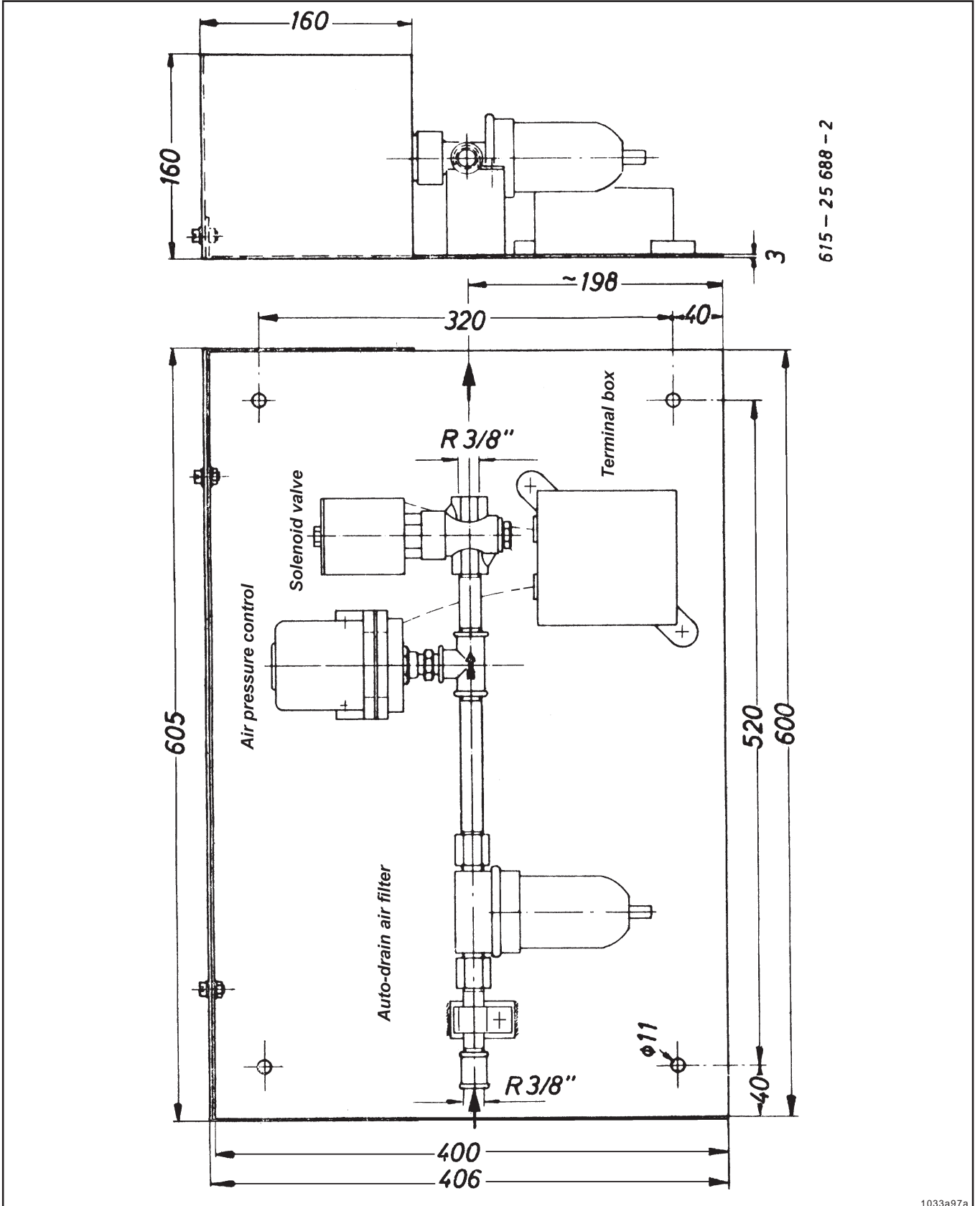
Overpressure safety device 515-31252



1032a97

Item	Designation	Qty.	Part-No.
1	Connecting block casing	1	415-22349-3
2	Protective plug	2	233-13100-2
3	Pressure gauge 0...250 bar, Ø 100	1	234-13101-5
4	Cutting and clamping ring d 10-L/S	1	223-12295-8
5	Compression nut s 10-L	1	223-12457-1
6	Bind head ring dki R 1/2"	1	222-12597-1
7	Adapter	1	304-17573-1

Control and Service Unit (without pressure regulator) for spray lubrication system type HSA



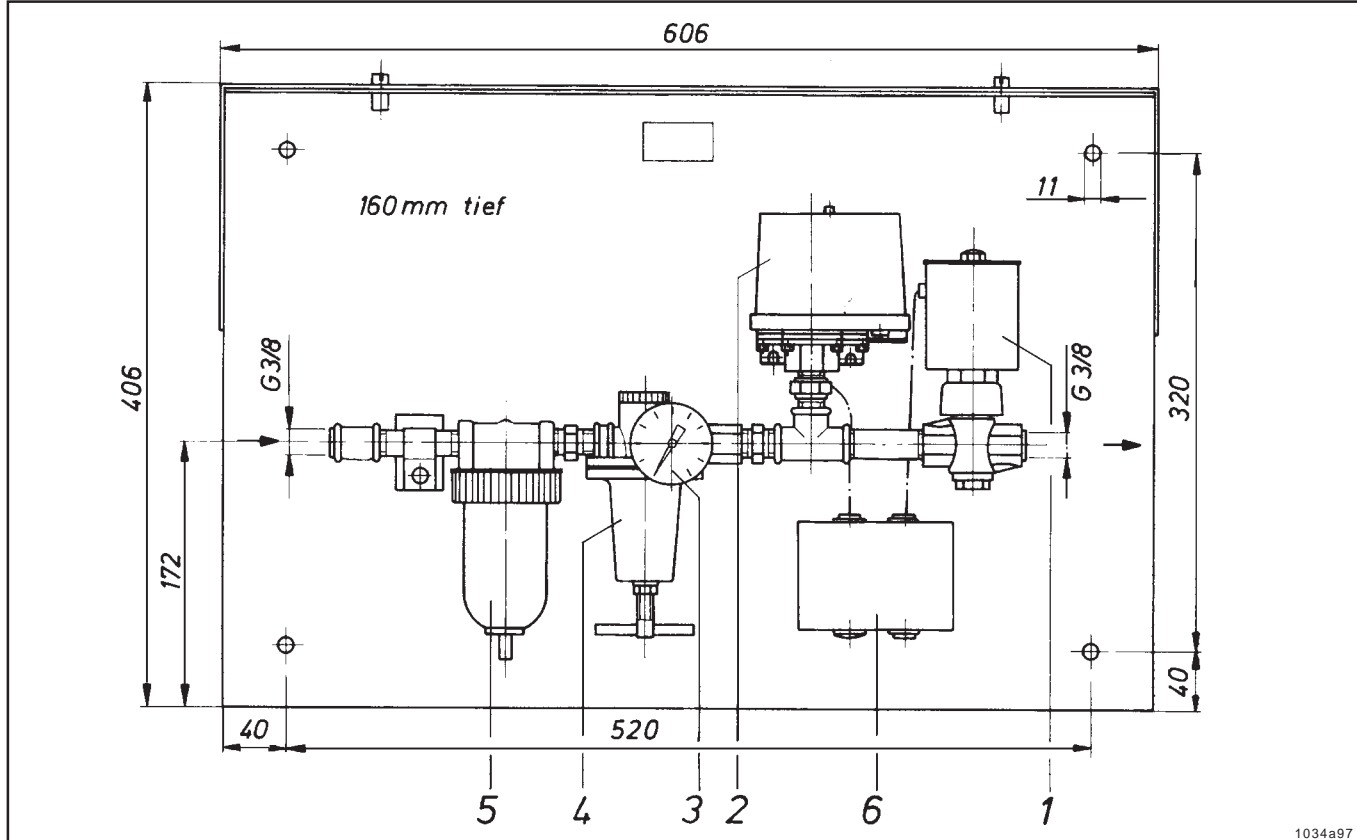
615-25 688-2

Subject to modifications

1033a97a

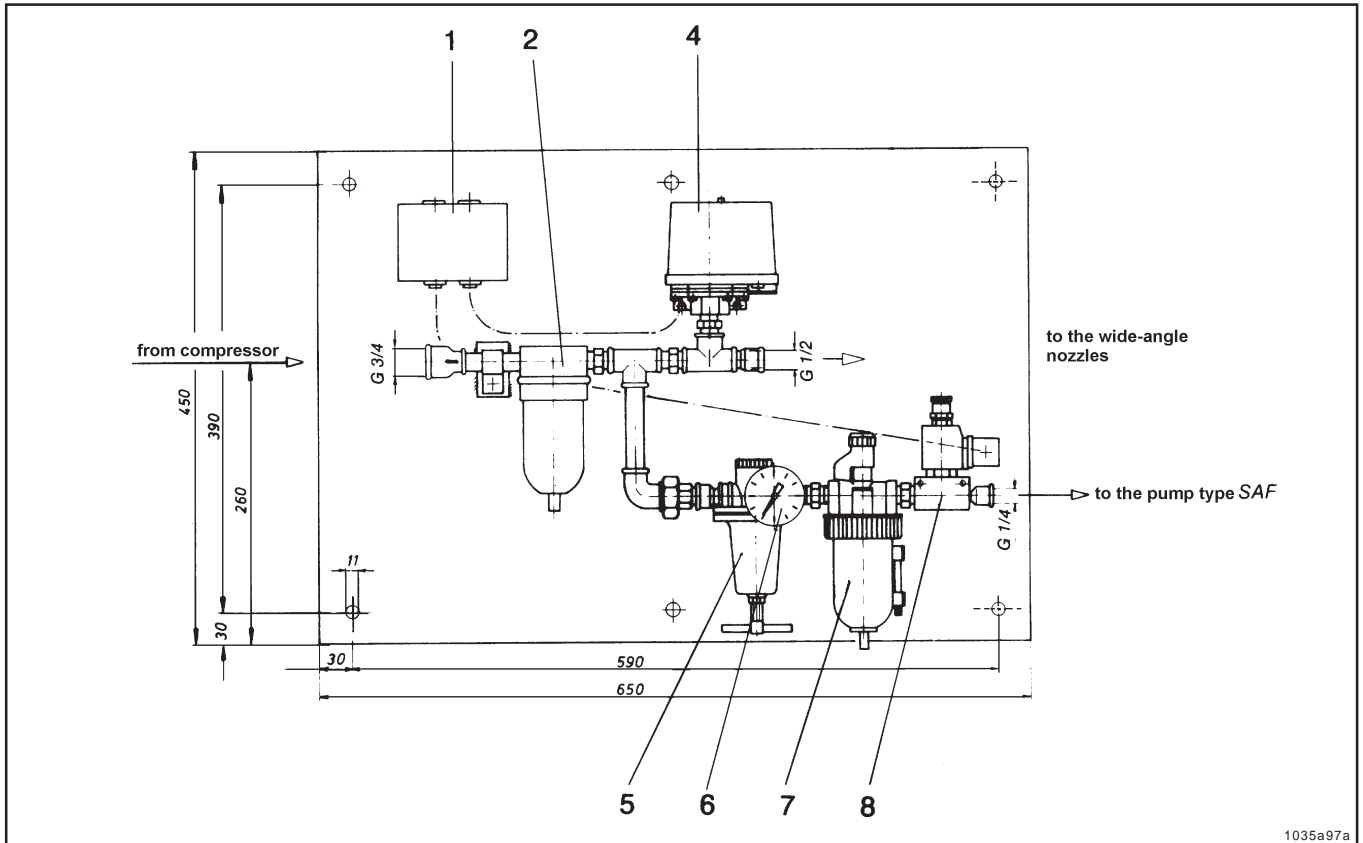
## Accessories for spray lubrication systems type HSA

### Control and service unit ( with pressure regulator) for spray system type 215



Item	Designation	Qty.	Part-No.
1	Solenoid valve	1	Indicate voltage in order
2	Air pressure control	1	234-13104-2
3	Pressure gauge	1	234-13103-2
4	Air pressure regulator	1	253-14051-1
5	Auto-drain air filter	1	253-14053-4
6	Terminal box	1	529-31525-1

Control and service unit for pump type SAF



Item	Designation	Qty.	Part-No.
1	Terminal box assy.	1	529-31525-1
2	Auto-drain air filter	1	253-14053-4
4	Air pressure control	1	234-13104-2
5	Air pressure regulator	1	253-14051-4
6	Pressure gauge 0...14 bar	1	234-13103-1
7	Oil mist lubricator	1	253-14052-4
8	3/2-way solenoid valve	1	Indicate voltage in order