

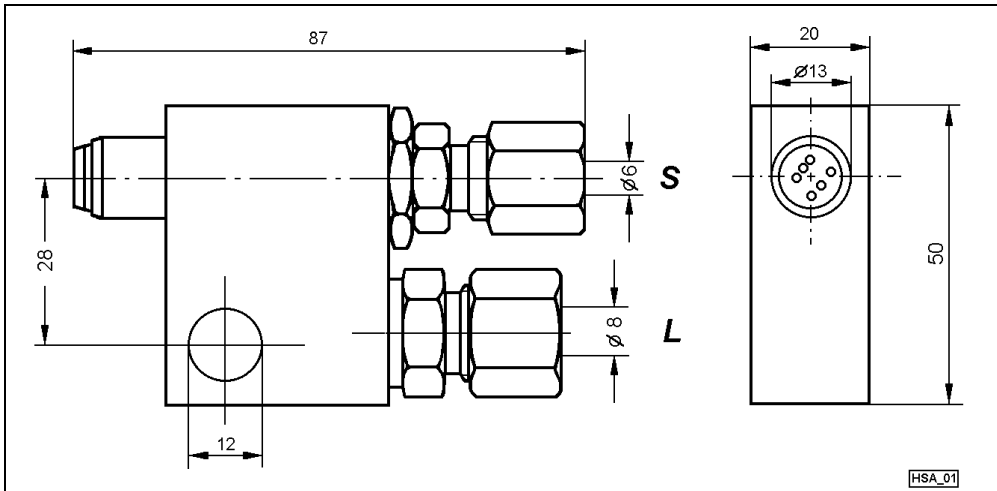
Data Sheet

Wide-angle Spray Nozzle Model SD (HSA-TD2) Part-No. 615-25677-2



33A-30001-C01

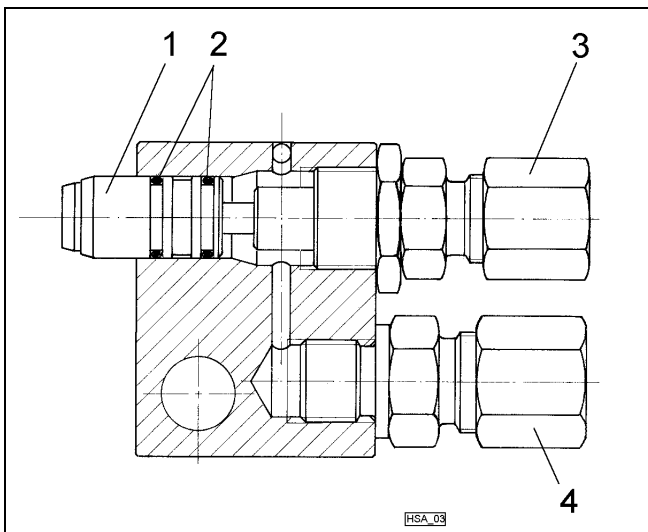
Dimensions



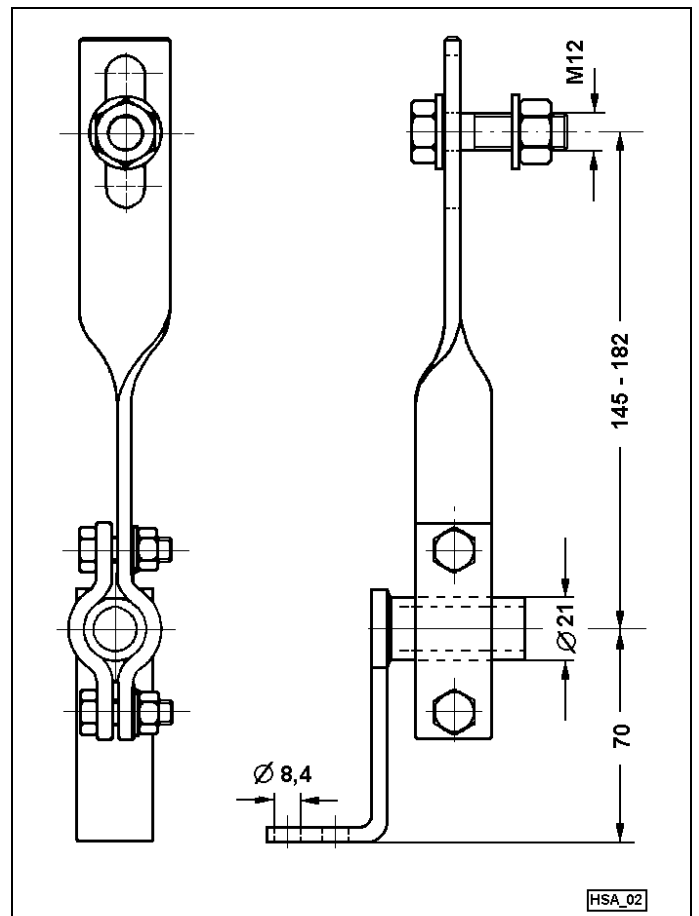
Technical Data

lubricant output: 0,2 - 20 cm³/min
 air pressure: 3 - 6 bar
 air requirement: appr. 200 NI/min
 max. operating pressure: 200 bar
 note: a solenoid valve must be provided for compressed air control

Sectional view



Accessory: bracket Part-No. 515-31224-1



Item	Description	Qty.	Part-No.
1	nozzle insert assy. with 2 O-rings and adapter	1	515-36743-3
2	O-ring 10x1,5	2	219-12228-5
3	coupling nut M 6 S	1	223-12391-4
	frerule D 6 L/S	1	223-12295-3
4	GE 8 - SG 1/4A Ms	1	223-12377-3

Subject to change