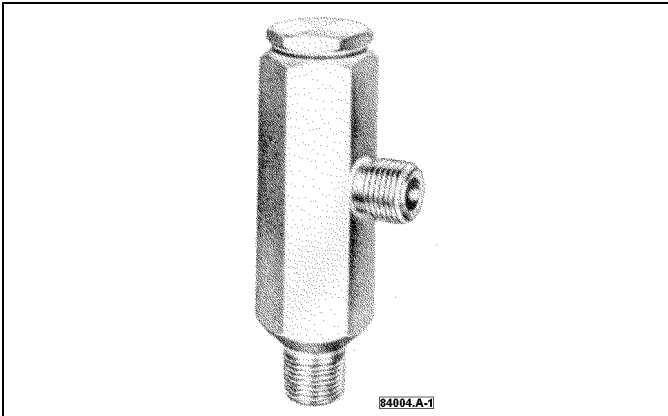


Catalog



Lubricant Filter

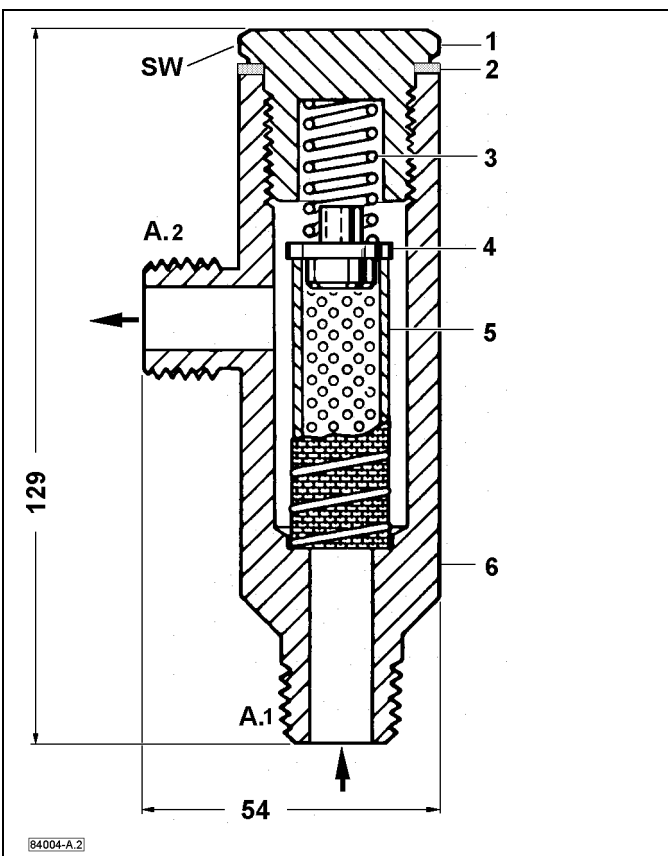
Lubricant Filter

for use with Lincoln *Centro-Matic* central lubrication equipment and other central lubrication systems.

For filtering foreign particles in synthetic lubricants or in petroleum-based oil and grease; not for lubricants with solids.

Model No. 84004 Lubricant Filter 140 micron

Model No. 84528 Lubricant Filter 420 micron



Legend:

- SW** Hexagon SW 32
- A.1** Inlet
- A.2** Outlet

Safety Instructions



Warning

Never attempt to disassemble the filter when under pressure.

CAUTION

A blocked filter can disintegrate under pressure and damage the entire lubrication system. Lack of lubrication may result in damages to the machine.

Technical Data	
Working pressure	max. 400 bar
Filter element No. 69524	140 micron
Filter element No. 328073	420 micron
Connecting thread	Inlet: 1/2" NPTF male Outlet: 1/2" NPTF male

Service Parts List

Item	Description	Qty.	Part No.
1	Plug SW 1 1/4 hex.	1	14769
2	Gasket	1	31002
3	Spring	1	55362
4	Filter plug	1	14770
5	Filter element, stainless steel, used with Filter No. 84004	1	69524
	used with Filter No. 84528	1	328073
6	Filter Body SW 1 3/8" hex.	1	91839

Note: The filter element must be serviced regularly and timely; remove filter element, clean the element with a solvent or replace if necessary.

On abnormal pressure raise, for example when the filter is clogged, the filter plug (item 4) can unseat, thus allowing unfiltered flow of lubricant from the outlet of the filter body.