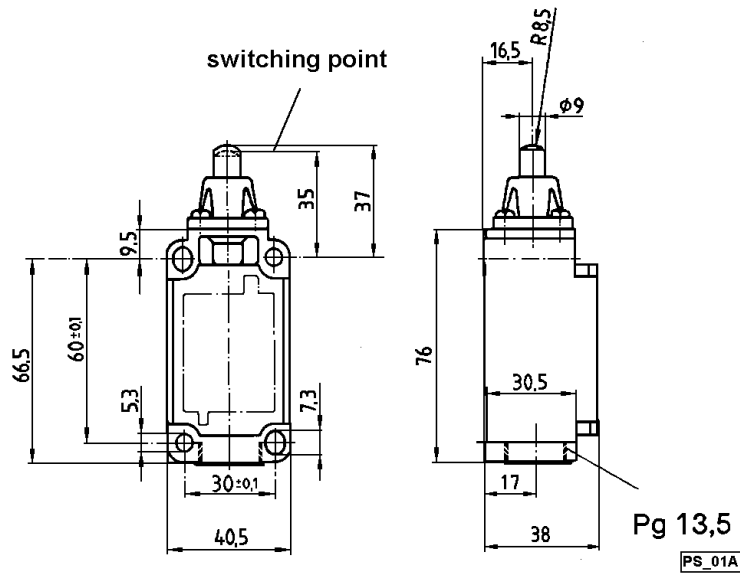
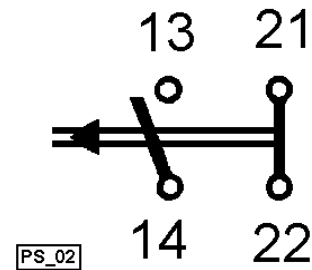


Dimensions



Terminal Connection Diagram



Technical Data

Material of housing	glass-fibre reinforced thermoplast self-extinguishing
Type of protection acc. to IEC 529/DIN 40 050	IP67
Incoming line	PG 13,5
Cross-sectional area of connecting cable	max. 2,5 mm ² including wire end ferrule max. 1,5 mm ²
Type of connection	screw connection M 3,5
Material of contact	fine silver
Type of contact	1 NO + 1 NC
Switching system	moving double-break contacts
Insulation	acc. to VDE 0110 Group C
Operating temperature	[°C] -30...+80
Rated insulating voltage U _i	[V] 500, 25-60Hz
Continuous current I _{th}	[A] 10
Rated operating current I _e (AC 11)	[A] 4 (220 VAC)
Short circuit strength	[A] 10 (slow) 16(fast)

Design

The housing consists of glass-fibre reinforced thermoplast which is self-extinguishing and hardly inflammable. The cover is assembled without fastening screws by simply pressing it into a spring-loaded latch. It can be easily disassembled by means of a screw driver or a similar tool. The packing of the cover and the ram are resistant to petroleum and oil. External metal parts are made of rustproof material or have a suitable finish.