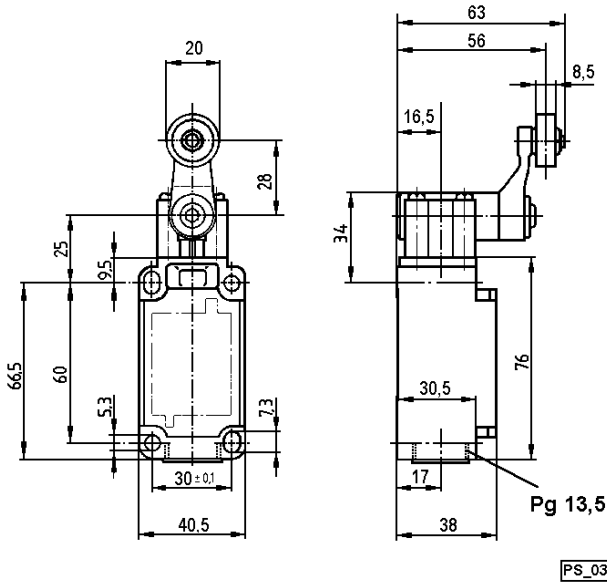
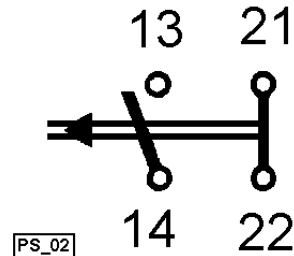


Part-No. 236-13262-5

**Dimensions**



**Terminal Connection Diagram**



**Technical Data**

Material of housing		glass-fibre reinforced thermoplast self-extinguishing
Type of protection acc. to IEC 529/DIN 40 050		IP67
Incoming line		PG 13,5
Cross-sectional area of connecting cable		max. 2,5 mm <sup>2</sup> including wire end ferrule max. 1,5 mm <sup>2</sup>
Type of connection		screw connection M 3,5
Material of contact		fine silver
Type of contact		1 NO + 1 NC
Switching system		moving double-break contacts
Insulation		acc. to VDE 0110 Group C
Operating temperature	[°C]	-30...+80
Rated insulating voltage U <sub>i</sub>	[V]	500, 25-60Hz
Continuous current I <sub>th</sub>	[A]	10
Rated operating current I <sub>e</sub> (AC 11)	[A]	4 (220 VAC)
Short circuit strenght	[A]	10 (slow) 16(fast)

**Design**

The housing consists of glass-fibre reinforced thermoplast which is self-extinguishing and hardly inflammable. The cover is assembled without fastening screws by simply pressing it into a spring-loaded latch. It can be easily disassembled by means of a screw driver or a similar tool. The packing of the cover and the ram are resistant to petroleum and oil. External metal parts are made of rustproof material or have a suitable finish.