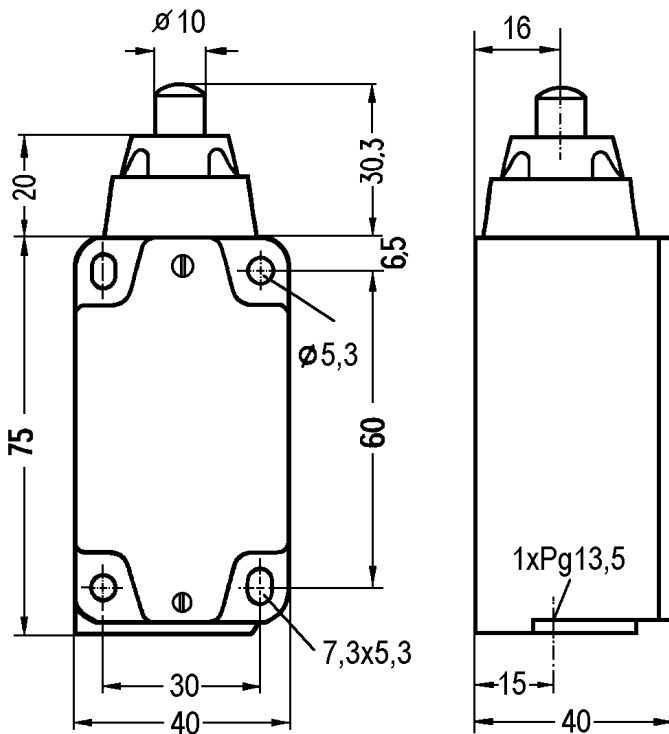
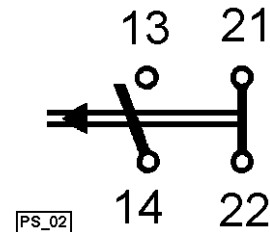


Dimensions



PS_04

Terminal Connection Diagram



Technical Data

Material of housing		aluminium die cast metal
Type of protection acc. to IEC 529/DIN 40 050		IP67
Incoming line		PG 13,5
Cross-sectional area of connecting cable		max. 2,5 mm ² including wire end ferrule max. 1,5 mm ²
Type of connection		screw connection M 3,5
Material of contact		fine silver
Type of contact		1 NO + 1 NC
Switching system		moving double-break contacts
Insulation		acc. to VDE 0110 Group C
Operating temperature	[°C]	-40...+85
Rated insulating voltage U _i	[V]	500, 40-60Hz
Continuous current I _{th}	[A]	10
Rated operating current I _e (AC 12)	[A]	10 (230 VAC)
Short circuit strength	[A]	10 (slow) 16(fast)

Design

The housing of aluminium die cast metal is resistant to shocks, impact, hot swarf, etc. The cover is fastened with two screws. The packing of the cover and the ram is resistant to petroleum and oil