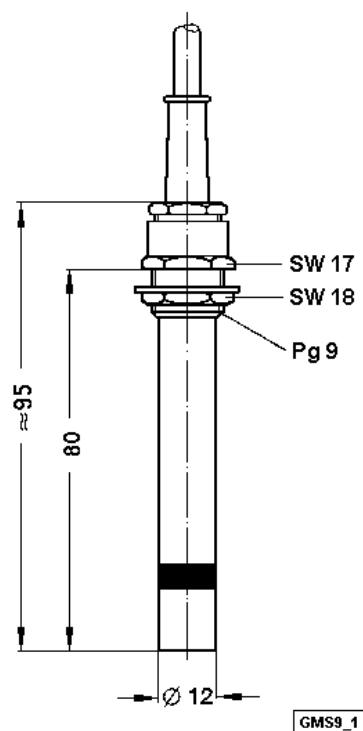
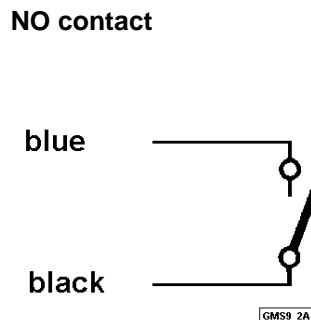


Part-No. 234-13106-1 (high level control 10XV/B-, 30XV- and 40XB-reservoir)

Dimensions



Terminal Connection Diagram



Technical Data

Max. switching voltage	[V AC/DC]	250
Max. switching capacity	[VA/W]	100
Max. switching current	[A]	2
Permissible ambient temperature	[°C]	-10...+80
Type of protection		IP 65
Material of housing		Polyamide glass-fibre reinforced
Connection cable		NYLHY 2 x 0,75 mm ²
Type of connection		see pump

Operation

Magnetically operated switches are equipped with hermetically encapsulated protective gas contacts. They are actuated by the magnetic field of a magnet absolutely resistant to wear.

Note

The lifetime of the magnetically operated switch highly depends on the conditions of load. As the maximum switching capacity data refer to purely resistive loads, which in practice cannot always be guaranteed, proper contact protective measures must be taken if loads are different.

Contact protective measures

