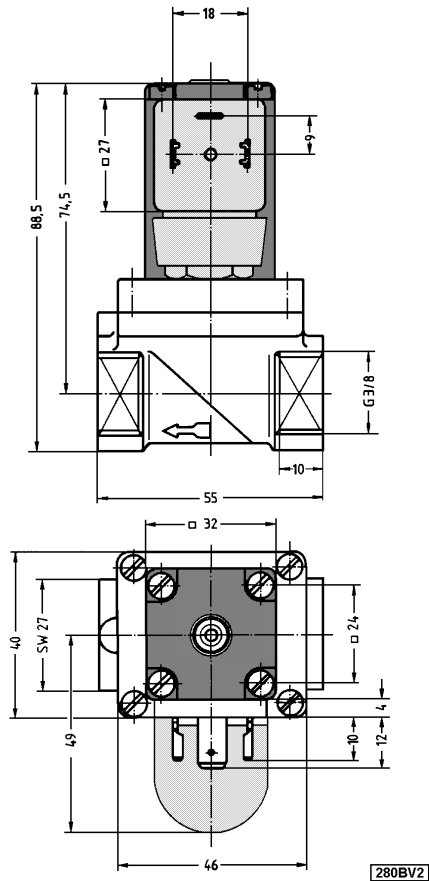


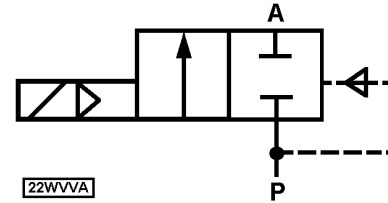
Part Number 253-14136-3 110VAC

Part Number 253-14136-4 230VAC

Dimensions



Symbols



Operation

2/2-way solenoid valve, closed in rest position, with 2-way pilot control.

Precontrolled solenoid valve with servo-diaphragm. Spring-supported in rest position and closed by the medium pressure.

In rest position pressure is built up on the servo-diaphragm which is pressed downward, thus maintaining the valve in closed position. On switching on, the chamber over the servo-diaphragm is relieved via the pilot control valve, the servo-diaphragm rises under the pressure of the medium and the main valve opens. The solenoid valve is epoxy resin covered. This material optimally dissipates the coil heat.

Characteristic Values

Nominal width DN	(mm)	13
Kv value	(m ³ /h)	4,0
QNn value	(l/min)	4300
Pressure range	(bar)	0,2-16
Weight	(kg)	0,40

Technical Data Valve

Installation position	any (preferable, solenoid system standing)
Line connection	3/8 BSP
Material housing	brass
valve interior	1.4105, 1.4571
seal	NBR
Ambient temperature	-10 to +90C°
Switching time open	(ms) approx. 50
close	(ms) approx. 600

Technical Data Drive

Operating voltage	(VAC)	refer to part no.
Frequency	(Hz)	50/60
Power input start	(VA)	21
Power input operation	(VA)	12
Voltage tolerance	(%)	+/- 10
Nominal operating mode	(%)	100
Switching frequency	(S/min)	100
Connection	cable socket DIN 43 650	
Type of protection with cable socket	IP 65	