

## Solenoid Valves



Subject to change without notice

A4136a97

**Table of Content**

	Page
Safety instructions .....	2
Application .....	3
Examples of application .....	3
Erection and Installation .....	4
Operating instructions .....	4
Type identification .....	5
Troubleshooting .....	5
Technical Data .....	5
Dimensiones .....	6

**Safety Instructions**

**Use in conformity with the intended application**

- The solenoid valves are exclusively intended for use in centralized lubrication systems and centralized lubricant supply systems.
- The maximum ratings specified in the "Technical Data", particularly the maximum operating pressure, must not be exceeded on no account.
- Any other use is not conform to the intended application.
- The manufacturer is not liable for damage resulting from any other use.

**Maintenance and Repairs**

- Before maintenance or repair work is carried out on the solenoid valves, observe the content of the Owner's Manual and the Safety Instructions.
- The Owner's Manual must be available on the site where the solenoid valves are in operation.
- Alterations or modifications of the solenoid valves are only authorized if approved by the manufacturer.
- For repairs, use only original spare parts.
- If other parts are used, the manufacturer may be released from its liability for the resulting damage.

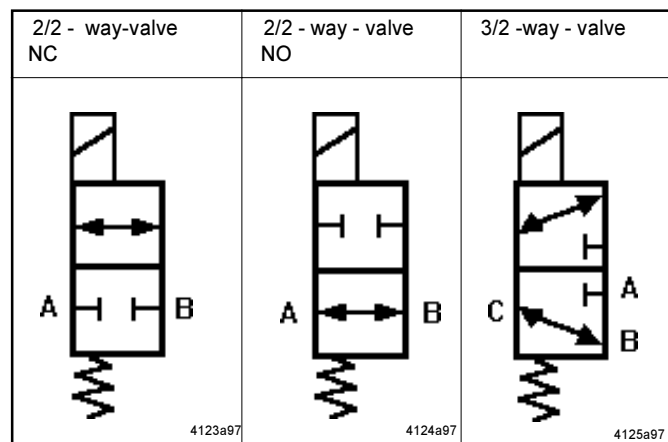
**Operation of the Solenoid Valves**

- Use the solenoid valves only if they are in good technical condition.
- Defects and faults which impair the safety must be eliminated immediately.
- The function of the solenoid valves is only guaranteed if they are used with clean lubricant.
- If you need more information than is given in this Owner's Manual, please contact our company (refer to the address in the footer).

**Structure**

- The solenoid valves are ball seat valves equipped with a dry armature solenoid.
- In the 2/2-way design, the passage B -A may be closed or opened, in the 3/2-way design the inlet is connected to either outlet.
- The basic position (solenoid not actuated) is obtained automatically via a return spring, the operating position is maintained as long as voltage is applied to the solenoid.
- The solenoid valves are switchable and can be pressure-loaded in both flow directions.

**Available Versions:**



Subject to change without notice

Examples of Application

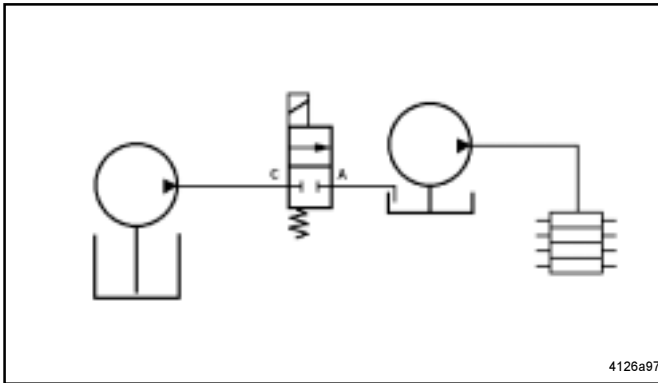


Fig. 1 - 2/2 - way - valve used as a shut-off valve in a filling line

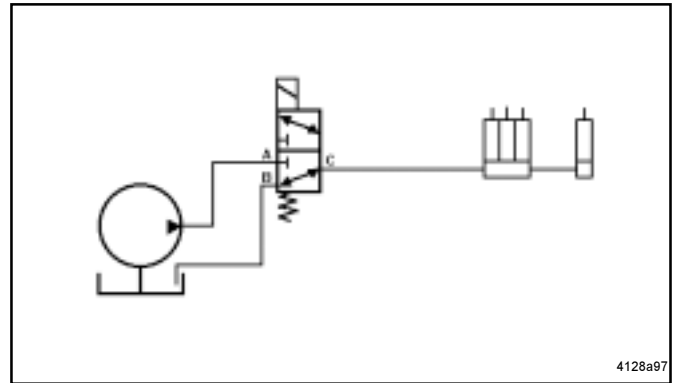


Fig. 3 - 3/2-way valve used as a relief valve in a single-line system

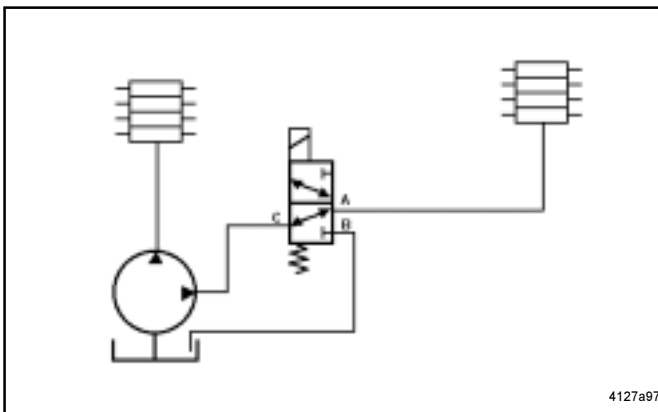


Fig. 2 - 3/2 - way valve for the connection or disconnection of a progressive metering device

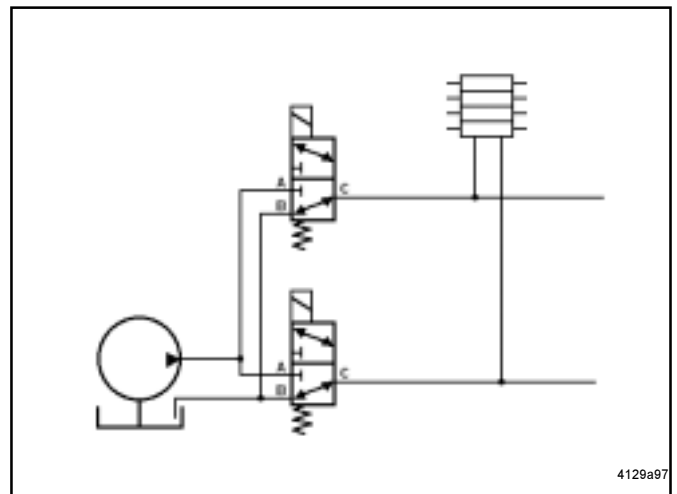


Fig. 4 - 3/2-way valve used as a 2-pole shut-off valve in a two-line system

Erection and Installation

Requirements on the installation site:

- even, stable and vibration-free installation site
- protected from dust and dirt
- safe from atmospheric influences
- Installation position : any

Electrical Connection



- Before the device is connected, disconnect the system.
- The installation of electrical devices should be carried out only by an electrician!
- The relevant rules of technology and the respective industrial safety laws (instructions, standards) must be observed.
- Electrical connection of the solenoid valve in accordance with the wiring diagram

**CAUTION**

The supply voltage and solenoid voltage must be identical.

Operating Instructions

Starting up

- After the connection of the tube lines and electrical system, the solenoid valve is ready for operation.

Maintenance and Repair

- Any repair will be limited to a replacement of the complete solenoid valve, since special knowledge is required for the repair of the inner workings.



**Before any replacement of parts of the solenoid valve observe the following:**

- \* Disconnect the system and secure it against inadvertent restarting.
- \* Reduce the system pressure down to zero.
- \* Danger due to splashing lubricant

Subject to change without notice

### Type Identification

- The various versions of the solenoid valves can be ordered according to the table below.

Ordering examples:

WV - M - W 2 O - 1/2 - 24 DC  
WV - M - W 2 G - 1/2 - 110 AC  
WV - M - W 3 G - 3/8 - 230 AC

**Basic type:**

Directional control valve

**Actuation:**

electromagnetical

**Function:**

W 2 = 2/2 - way valve

W 3 = 3/2 - way valve

A 2 = 2 - pole shut - off valve  
(4/2 - way valve)

**Off position (de-energized):**

G = closed

O = open

**Threaded connection: (G)**

**Operating voltages:**

DC = Direct voltage

AC = Alternating voltage 50/60 Hz

Standard valves are available with the following part numbers:

Type	Type designation	Part - no.
2/2 - way valve, NC	WV - M - W 2 G - 1/2 - 24 VDC	525-32080-1
	WV - M - W 2 G - 1/2 - 110 VAC	525-32081-1
	WV - M - W 2 G - 1/2 - 230 VAC	525-32082-1
2/2 - way valve, NO	WV - M - W 2 O - 1/2 - 24 VDC	525-32083-1
	WV - M - W 2 O - 1/2 - 110 VAC	525-32098-1
	WV - M - W 2 O - 1/2 - 230 VAC	525-32084-1
3/2 - way valve	WV - M - W 3 - 3/8 - 24 VDC	525-32085-1
	WV - M - W 3 - 3/8 - 110 VAC	525-32086-1
	WV - M - W 3 - 3/8 - 230 VAC	525-32087-1

Subject to change without notice

**Troubleshooting**

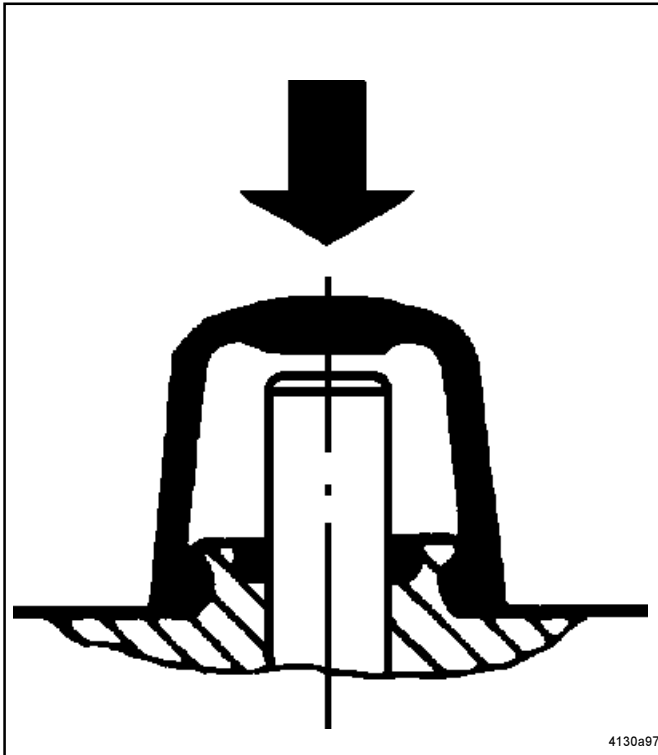


Fig. 5 - Manual Emergency button: Press on the Magnetic pin

**Troubleshooting**

- \* For all faults, first check the electrical voltage supply.
- \* If no fault is found, replace the complete valve.
- \* Manual emergency button: For checking the valve, press on the magnetic pin (standing out under the rubber cap, see fig. 5). This will release a manual impulsion.

**Technical Datas**

Valve model:	2/2 - way valve	3/2 - way valve
Threaded connection:	G 1/2"	G 3/8"
Pressure range:	0 - 400 bar	0 - 400 bar
Max flow rate.:	2,4 dm <sup>3</sup> /min	2,4 dm <sup>3</sup> /min
Weight:	1,7 kg	1,2 kg
Mounting position:	any	any
Flow direction:	any	any
Temperature range:	- 20° C bis 60° C	- 20° C bis 60° C

**Electrical Datas**

Supply voltage:	24 VDC	110 VAC 50/60 Hz	230 VAC 50/60 Hz
Solenoid voltage:	24 VDC	98 VDC	205 VDC
Current consumption (max.):	0.83 A	0.2 A	0.1 A
Nominal power (approx.):	20 W	20 W	20 W
Operations/h, (approx.):	2000	2000	2000
Isulation class:	F	F	F
Type of protection:	IP 54	IP 54	IP 54
Operating time:	100 %	100 %	100 %
Included in scope of supply:			
Socket	Part no. 236-13868-1	P. no. 236-13868-3 with rectifier	P. no. 236-13868-3 with rectifier

Subject to change without notice

**Attention:** Screw the socket on the central connector only with a torque of max. 0.7 Nm

Dimensions

2/2 - way valve

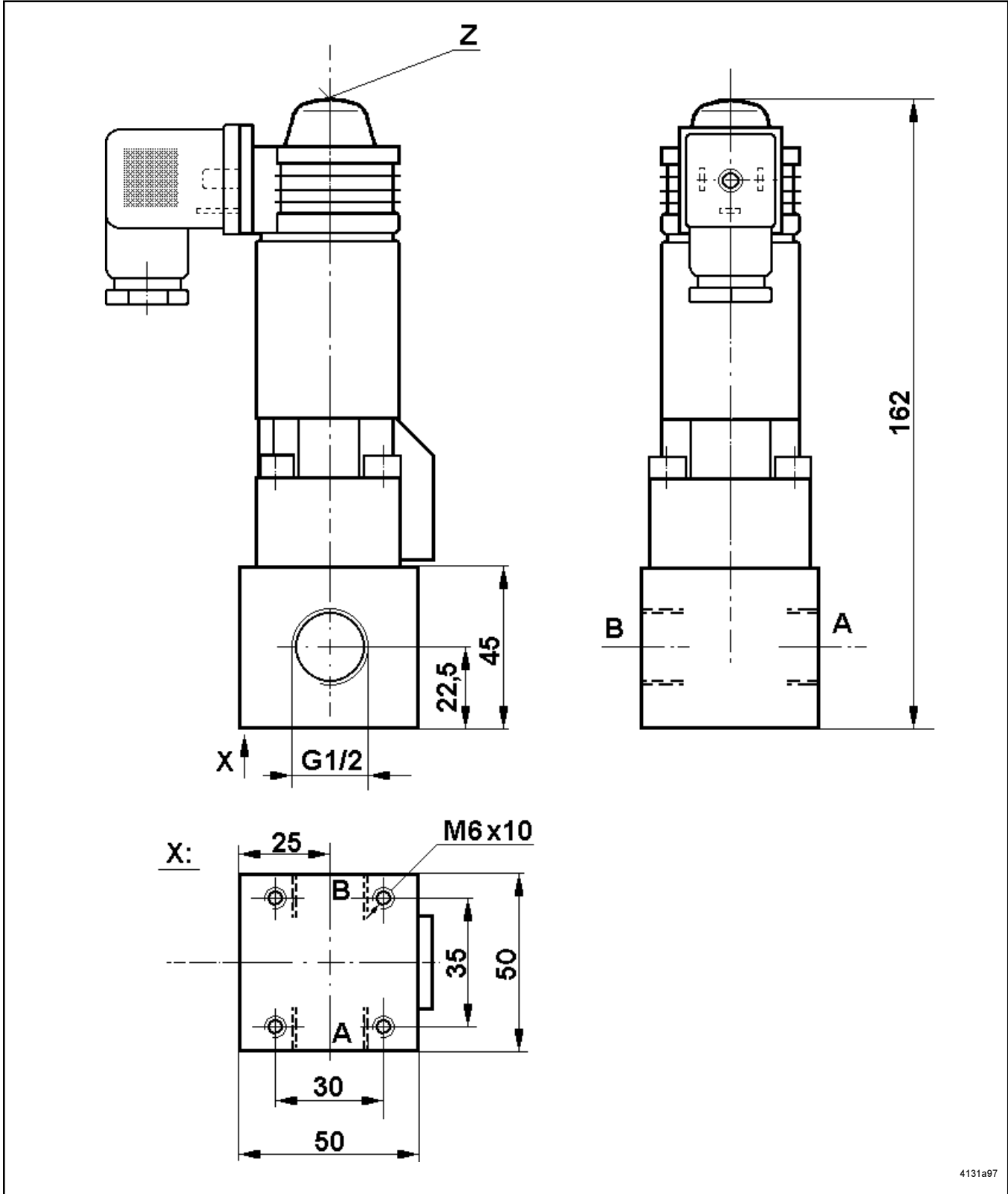


Fig. 6 - Dimensioned drawing of 2/2 way valves (connection G 1/2)

A, B - Connectors  
Z - Manual emergency button

3/2 - way valve

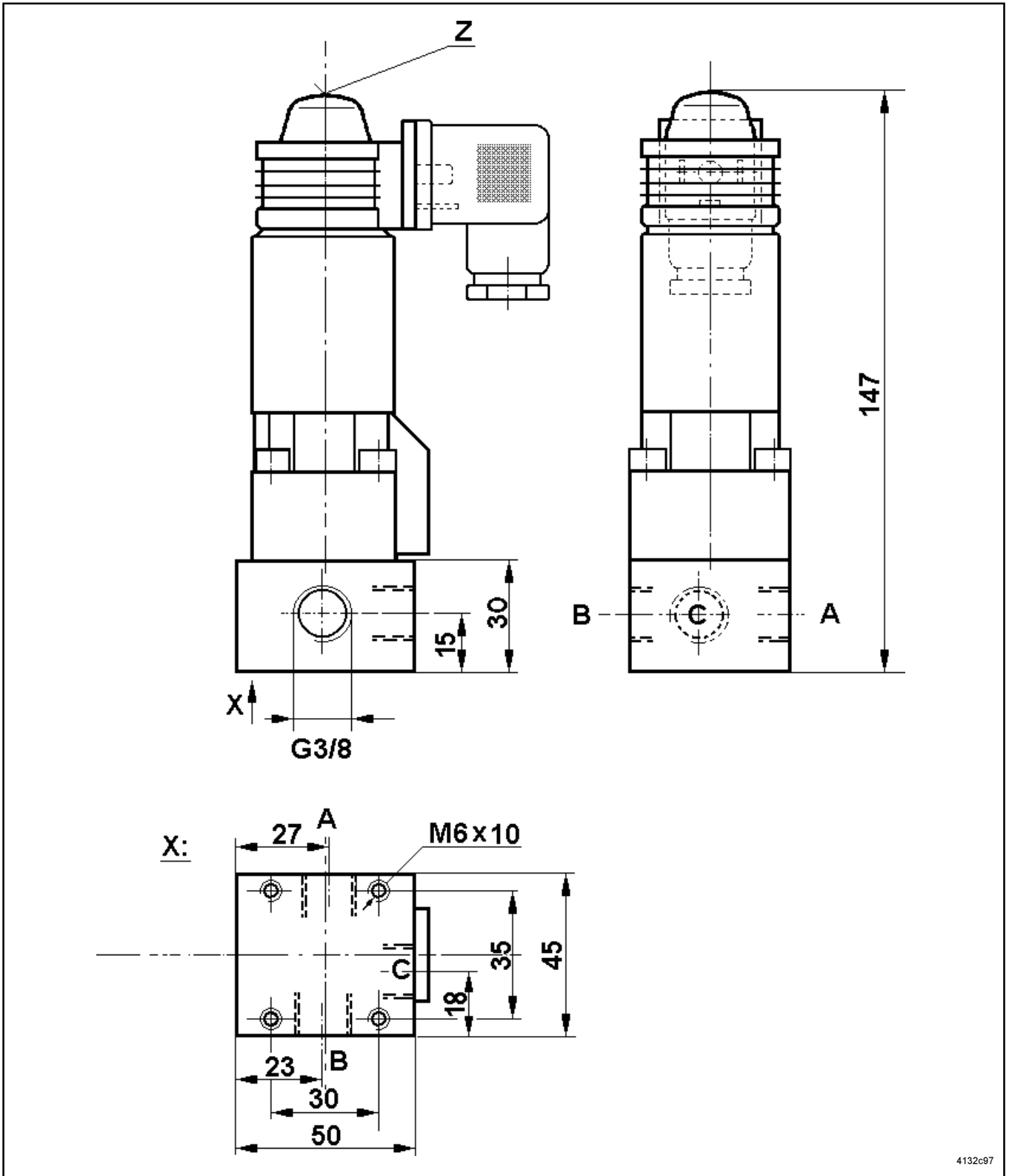


Fig. 7 -Dimensioned drawing of 3/2-way valves (connection G 3/8)

*Note: The plug connection of the solenoid plug can be turned by 180° by removing the two screws*

A, B - Connectors  
Z - Manual emergency button

Subject to change without notice

4132c97