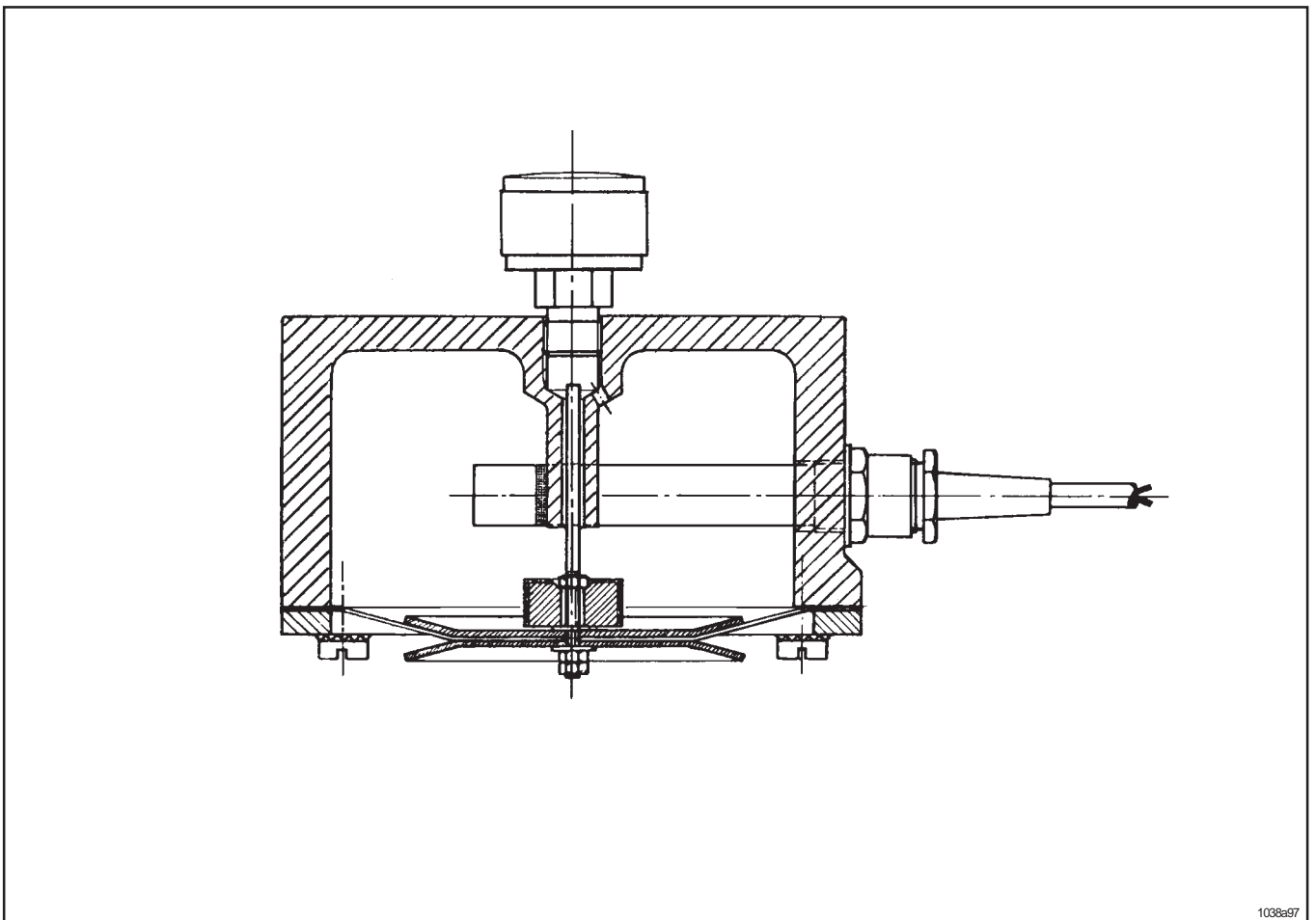
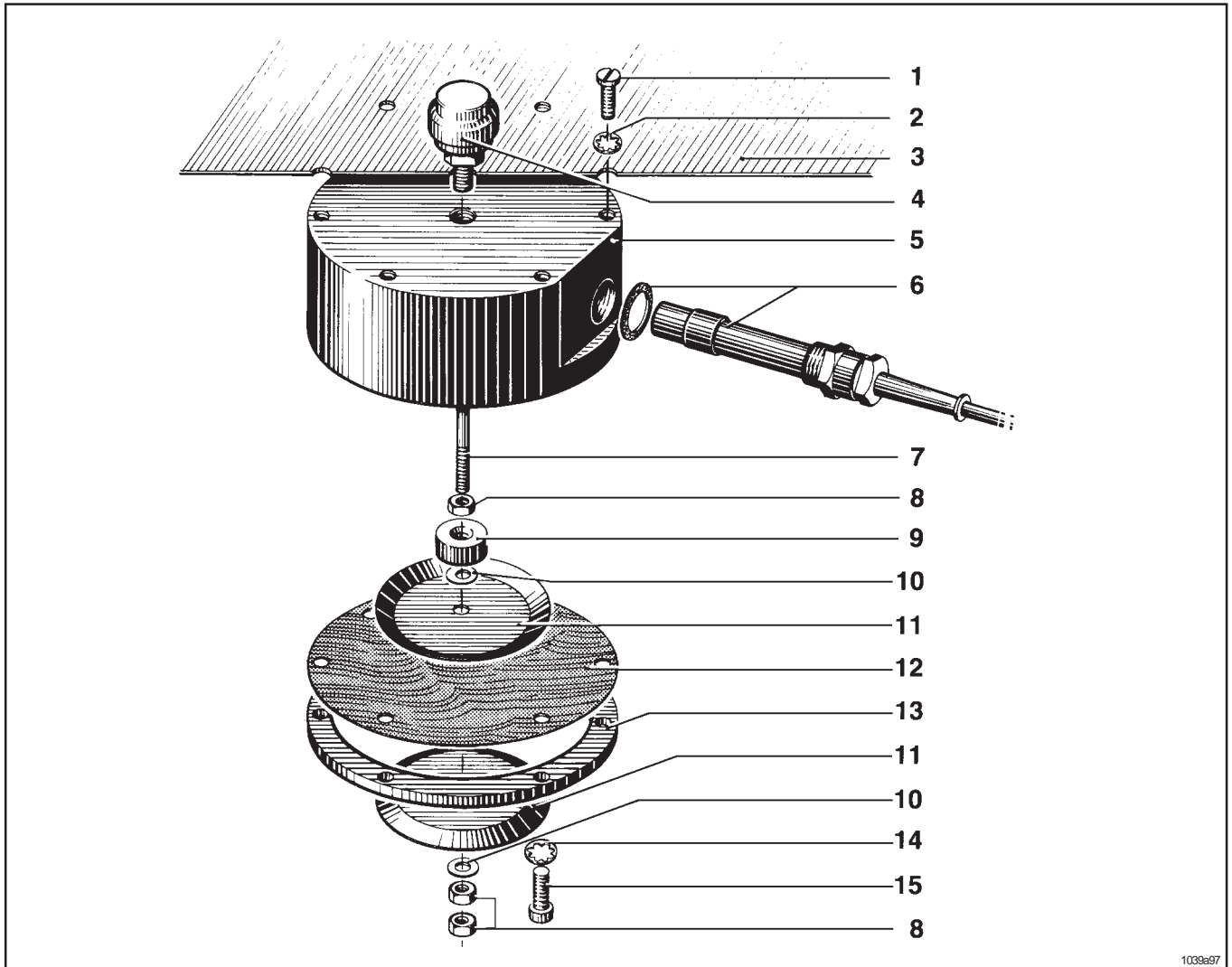


High-level control for grease reservoir





1039a97

Item	Designation	Quantity per assy.	Part-No.
1	Pan head screw M 6 x 16	3	201-12461-1
2	Tooth lock washer J 6, 4 Z	3	210-12161-3
3	Cover of existing grease reservoir „High level“ control assy.		529-31047-1
4	Air filter	1	253-14050-1
5	Casing	1	314-18601-1
6	Magnetic switch	1	234-13106-1
7	Guide pin	1	429-21563-1
8	Hexagon nut (brass) Ms, M3	3	207-12139-1
9	Permanent magnet	1	234-13106-2
10	Washer Ø 3,2	2	209-12156-1
11	Diaphragm disk	2	429-21562-1
12	Diaphragm	1	429-21561-1
13	Clamping ring	1	429-21560-1
14	Tooth lock washer J 6, 4 Z	6	210-12161-3
15	Pan head screw M 6 x 16	6	201-12461-1

Subject to modifications