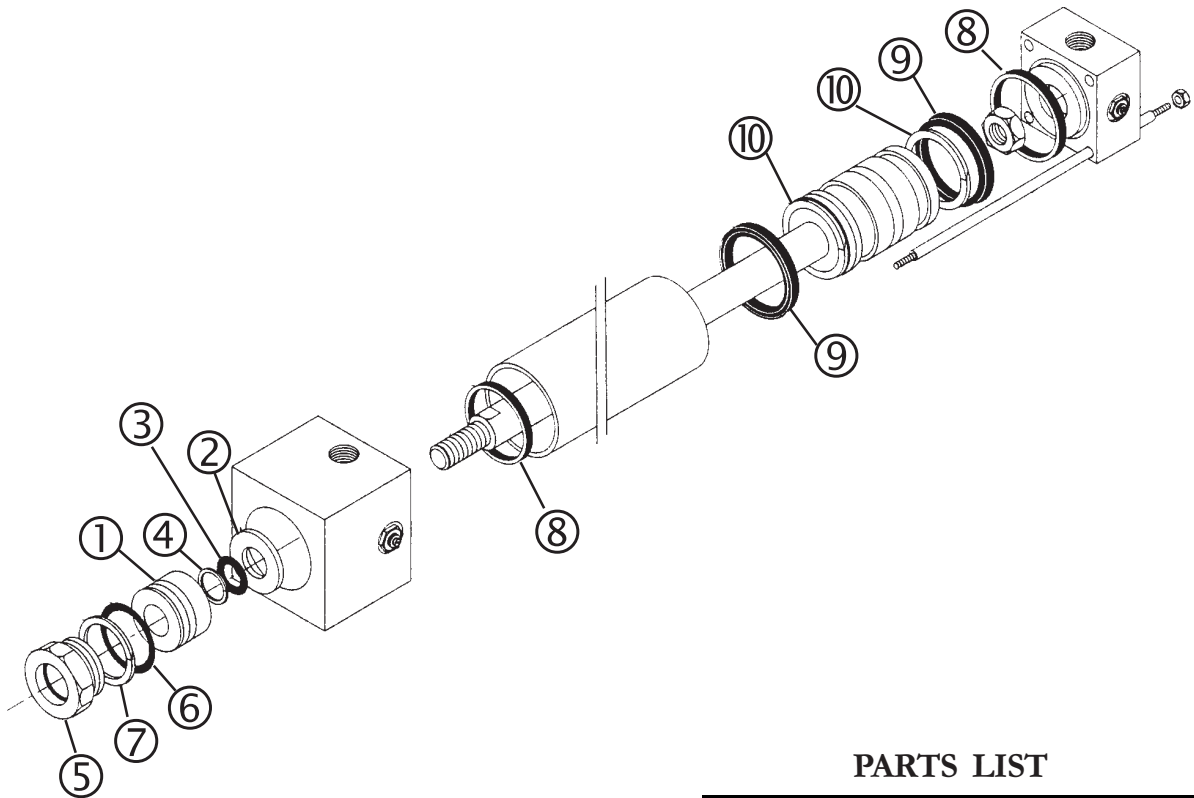


LINCOLN

Industrial Division—USA
ISO 9001 Registered

MODEL 247342 HYDRAULIC CYLINDER REPAIR KIT

For Lincoln Pump Models
84943, 84944, 84960, 84962



PARTS LIST

KEY	QTY	PART DESCRIPTION
1	1	Rod bushing
2	1	Rod seal washer
3	1	Rod seal
4	1	Rod seal backup ring
5	1	Rod wiper
6	1	Bushing seal
7	1	Bushing seal backup ring
8	2	Tube seal
9	2	Piston seal
10	2	Piston seal backup ring

LINCOLN
Industrial Division—USA
ISO 9001 Registered

One Lincoln Way
St. Louis, Missouri 63120-1578
(314) 679-4200

Copyright 1996
Printed in U.S.A.