

**SPECIFICATIONS:**

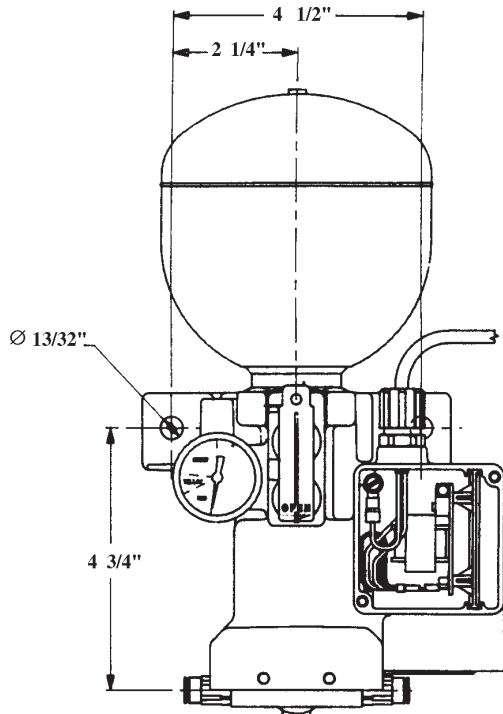
Electrical Requirements:	See model chart
Enclosure:	Protected from water wash in all directions.
Lubrication Cycle Time:	20 seconds (test mode)
(Time between lube events)	2 hours to 32 hours in 2 hour increments 2 days to 24 days in 2 day increments
Timer Memory:	72 hours
Output (per Point, per Cycle):	.012 cu. in. [.2cc]
Maximum Operating Pressure:	3000 PSIG [207 Bar]
Reservoir Capacity (Useable):	28 cu. in. [459 cc]
Outlet Connection:	1/4" (.250) OD X .050" Wall nylon tubing (quick connect)
Lubricant:	Greases up to NLGI grade #2
Temperature Range:	0°F (-18°C) to 120°F (49°C)
Safety Relief Valve Setting:	2900 to 3100 PSIG [200 to 214 Bar]
Empty Weight:	Approximately 20 lb

**MODEL SPECIFICATION CHART**

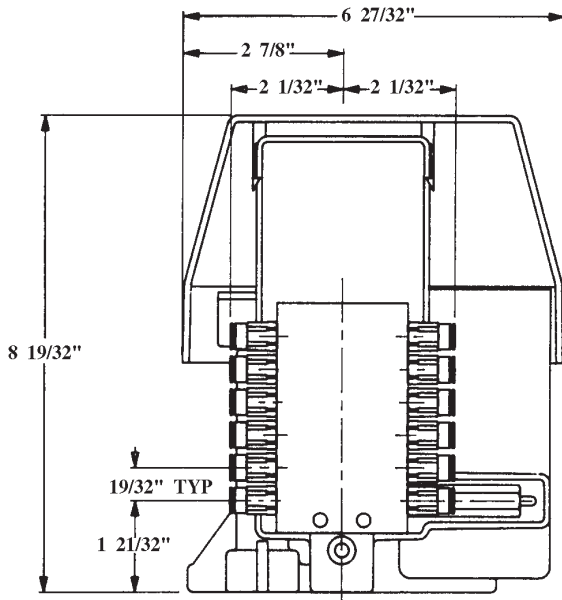
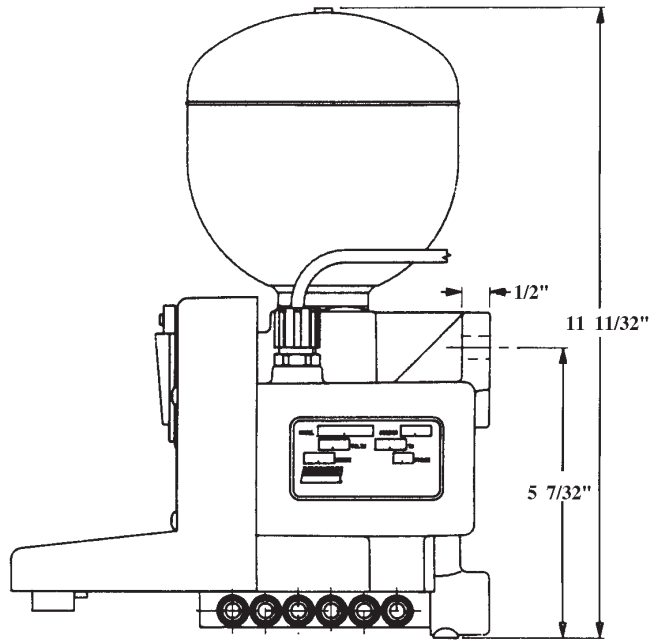
MODEL	VOLTAGE	CURRENT
85600	120 VAC	.23 AMPS
85602	12 VDC	2.2 AMPS
85604	24 VDC	1.2 AMP
85606	230 VAC	.13 AMP

**REFILL TIME CHART**

TIME CYCLE (Between lube cycles)	RESERVOIR CAPACITY (Number of cycles)	DAYS (Between refills)
4 Hours	180	30
8 Hours	180	60
12 Hours	180	90
24 Hours	180	180



BEZEL COVER REMOVED  
THIS VIEW ONLY



(Dimensions in parentheses represent millimeters)

## PACKING LIST

QTY	DESCRIPTION
2	3/8-16 x (1-1/2" LG) UNC Hex Screw (used for mounting unit.)
2	3/8-16 UNC Hex Nut (used for mounting unit.)
4	Closure Plug Gasket (Crossporting)
4	Closure Plug (Crossporting)
12	Nylon Cable Ties (7")
150'	Nylon Feedline Tubing
12	Straight Quicklinec Fitting
12	Zerk-Lock Lube Fitting
1	Staking Tool
1	Owner's Manual
1	Specification Sheet
1	Lubrication Unit

See Owner's Manual for available service parts.

### RETAIN THIS INFORMATION FOR FUTURE REFERENCE

When ordering replacement parts, list: Part Number, Description, Model Number and Series Letter.  
LINCOLN provides a Distributor Network that stocks equipment and replacement parts.