

SPECIFICATIONS:

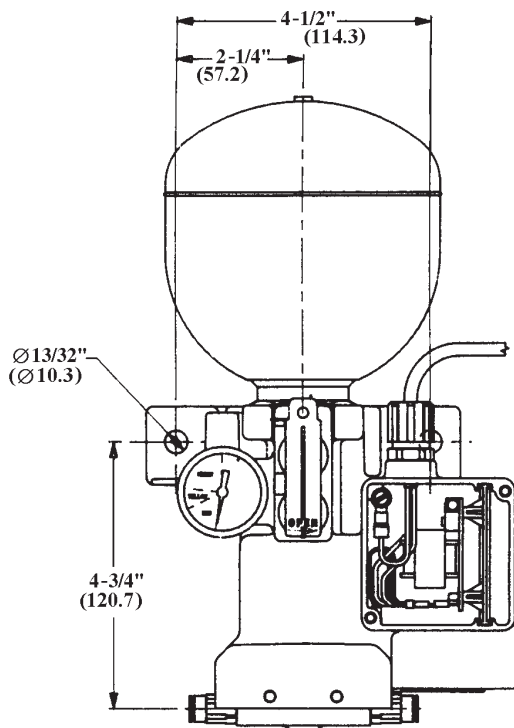
Electrical Requirements:	See model chart
Enclosure:	Protected from water wash in all directions
Lubrication Cycle Time:	20 seconds (test mode)
(Time between lube events)	2 hours to 32 hours in 2 hour increments 2 days to 24 days in 2 day increments 72 hours
Timer Memory:	72 hours
Output (per Point, per Cycle):	.012 cu. in. [.2 cc]
Maximum Operating Pressure:	3000 PSIG [207 Bar]
Reservoir Capacity (Useable):	28 cu. in. [459 cc]
Outlet Connection:	1/4" (.250) OD X .050" Wall nylon tubing (quick connect)
Lubricant:	Greases up to NLGI grade #2
Temperature Range:	0°F (-18°C) to 120°F (49°C)
Safety Relief Valve Setting:	2900 to 3100 PSIG [200 to 214 Bar]
Empty Weight:	Approximately 20 lb

MODEL SPECIFICATION CHART

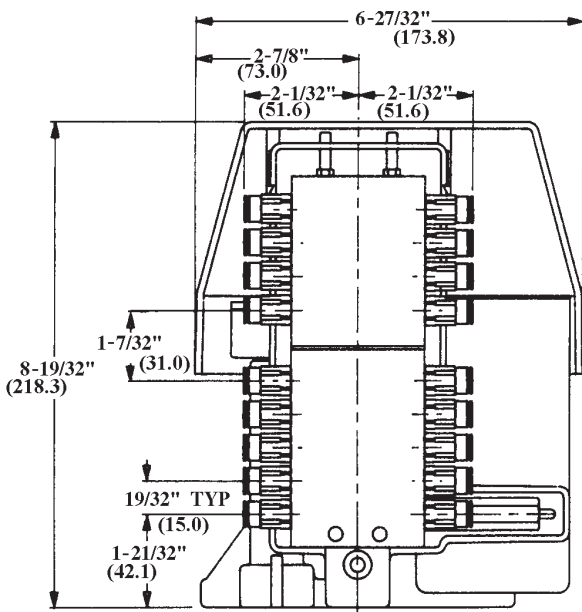
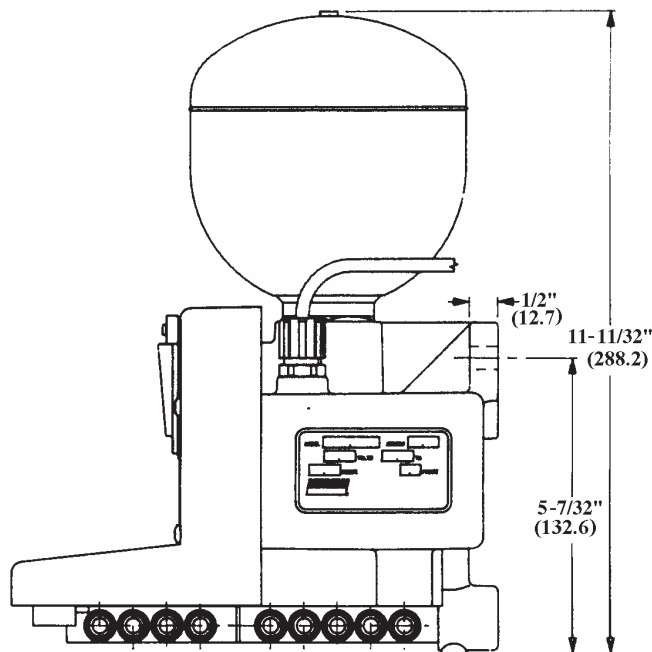
MODEL	VOLTAGE	CURRENT
85601	120 VAC	.23 AMPS
85603	12 VDC	2.2 AMPS
85605	24 VDC	1.2 AMPS
85607	230 VAC	.13 AMPS

REFILL TIME CHART

TIME CYCLE (Between lube cycles)	RESERVOIR CAPACITY (Number of cycles)	DAYS (Between refills)
4 Hours	180	20
8 Hours	180	40
12 Hours	180	60
24 Hours	180	120



BEZEL COVER REMOVED
THIS VIEW ONLY



(Dimensions in parentheses represent millimeters)

PACKING LIST

QTY	DESCRIPTION
2	3/8-16 x (1-1/2" LG) UNC Hex Screw (used for mounting unit.)
2	3/8-16 UNC Hex Nut (used for mounting unit.)
4	Closure Plug Gasket (Crossporting)
4	Closure Plug (Crossporting)
18	Nylon Cable Ties (7")
150'	Nylon Feedline Tubing
18	Straight Quicklinc Fitting
18	Zerk-Lock Lube Fitting
1	Staking Tool
1	Owner's Manual
1	Specification Sheet
1	Lubrication Unit

See Owner's Manual for available service parts.

RETAIN THIS INFORMATION FOR FUTURE REFERENCE

When ordering replacement parts, list: Part Number, Description, Model Number and Series Letter.
LINCOLN provides a Distributor Network that stocks equipment and replacement parts.