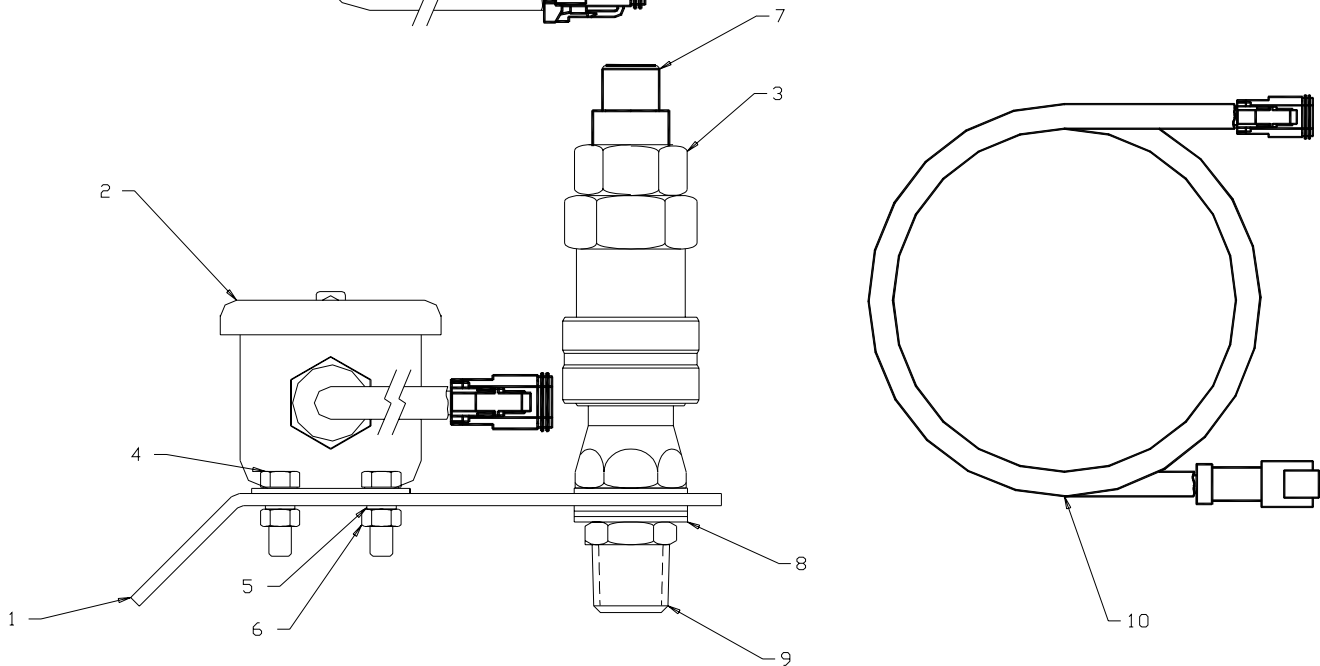


NO.	LINCOLN NUMBER	QTY	DESCRIPTION
1	272249	1	BRACKET
2	272254	1	CONDUIT BOX ASSEMBLY
3	272280	1	HYDRAULIC COUPLER
4	50088	4	HEX HEAD SCREW
5	68991	4	LOCK WASHER
6	51100	4	NUT
7	67117	1	1/2" PIPE PLUG
8	48216	4	PACKING WASHER
9	11197	1	NIPPLE
10	272255	1	WIRE ASSEMBLY



Americas:  
One Lincoln Way  
St. Louis, MO 63120-1578  
USA  
Phone +1.314.679.4200  
Fax +1.800.424.5359

Europe/Africa:  
Heinrich-Hertz-Str 2-8  
D-69183 Walldorf  
Germany  
Phone +49.6227.33.0  
Fax +49.6227.33.259

Asia/Pacific:  
25 Int'l Business Park  
#01-65 German Centre  
Singapore 609916  
Phone +65.562.7960  
Fax +65.562.9967

© Copyright 2002  
Printed in USA

Web site:  
[www.lincolnindustrial.com](http://www.lincolnindustrial.com)