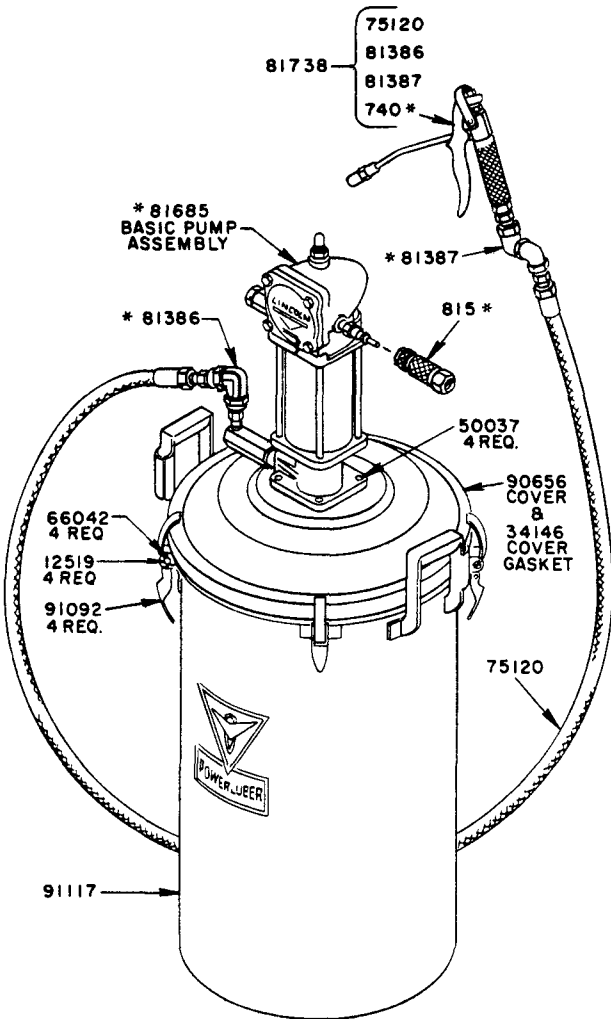


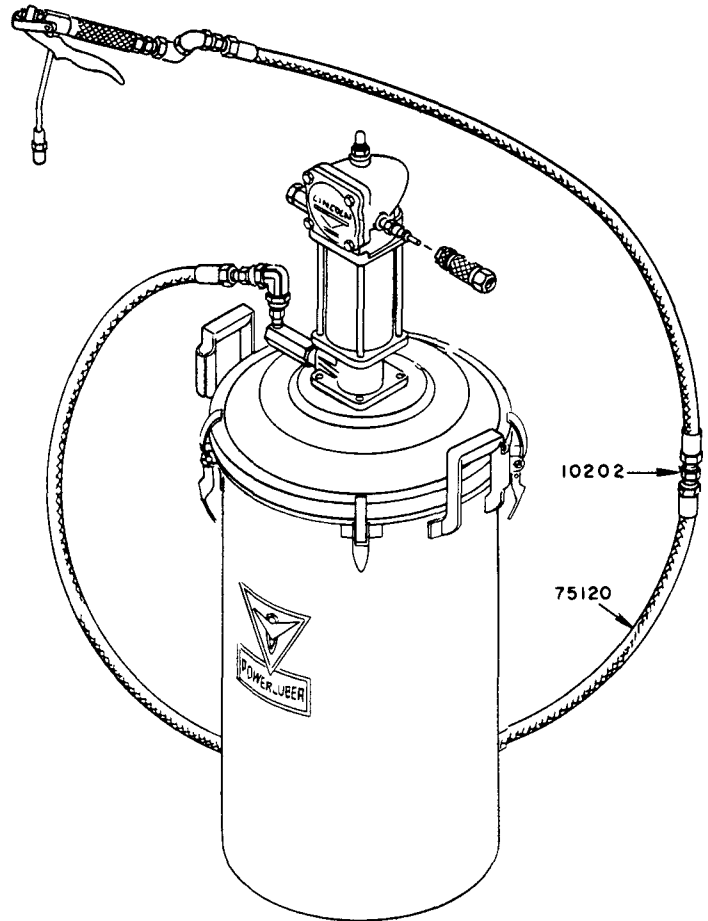
POWERLUBER
60 LB. CAPACITY
(OR 25 LB. TO 35 LB. ORIGINAL CONTAINER)
50 TO 1 RATIO



Series "D" Model 987 988
OPERATING INSTRUCTIONS
AND REPAIR PARTS



**MODEL 987
 POWERLUBER**



**MODEL 988
 POWERLUBER**

***Refer to separate instructions:**

740 Control Valve	Section A5, Page 52 Series
815 Air Coupler	Section A5, Page 52 Series
81386 Swivel	Section A5, Page 52 Series
81387 Swivel	Section A5, Page 52 Series
81685 Basic Pump	Section A5, Page 7 Series

Model 988 is the same as Model 987 except for an additional No. 75120 Hose and a No. 10202 Nipple which are used to make up a 20 foot Lubricant Delivery Hose.

FILLING CONTAINER

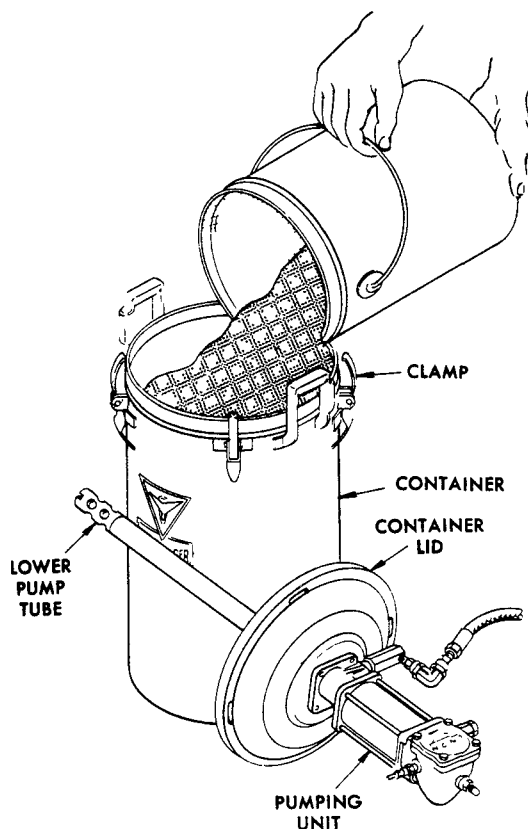
Unfasten the four Clamps holding the Container Lid to the Container.

The entire Lid Assembly and Pumping Unit can then be removed from the Container.

Pack lubricant carefully in Container to avoid excessive air pockets. Clean inside of Container before filling with lubricant. Foreign material may result in extensive damage if inducted into the Lower Pump Tube.

Lubricant can also be pumped directly from original 25 lb. or 50 lb. refinery package by inserting the package into the Container.

When pumping extra heavy lubricants a Follower Plate, 90579, is recommended. Follower Plate must be ordered separately. For Follower Plate to use in original refinery package, measure inside diameter and use Follower Plate of next smaller diameter.



PART NO.	DIAMETER
90580	9 $\frac{5}{8}$ "
90581	10 $\frac{1}{8}$ "
90582	11"
90579	12 $\frac{1}{4}$ "

REPAIR PARTS LIST

PART NO.	DESCRIPTION	PART NO.	DESCRIPTION
740	Control Valve	81386	Angle Swivel
815	Air Coupler	81387	Universal Swivel
10202	Hose Connector	81685	Basic Pump Assembly
12519	Fastener Pin	81738	Hose & Control Valve Assembly
34146	Cover Gasket	90656	Container Cover Assembly
50037	Screw	91092	Fastener Assembly
66042	Cotter Pin	91117	Container Assembly
75120	High Pressure Hose		

RETAIN THIS INFORMATION FOR FUTURE REFERENCE

When ordering Replacement Parts, List Part Numbers, Descriptions, Model Number, & Series Letter.
LINCOLN ST. LOUIS — Provides a Distributor network that stocks equipment and replacement parts.

Repairs by Authorized Service Depts. List furnished upon request.