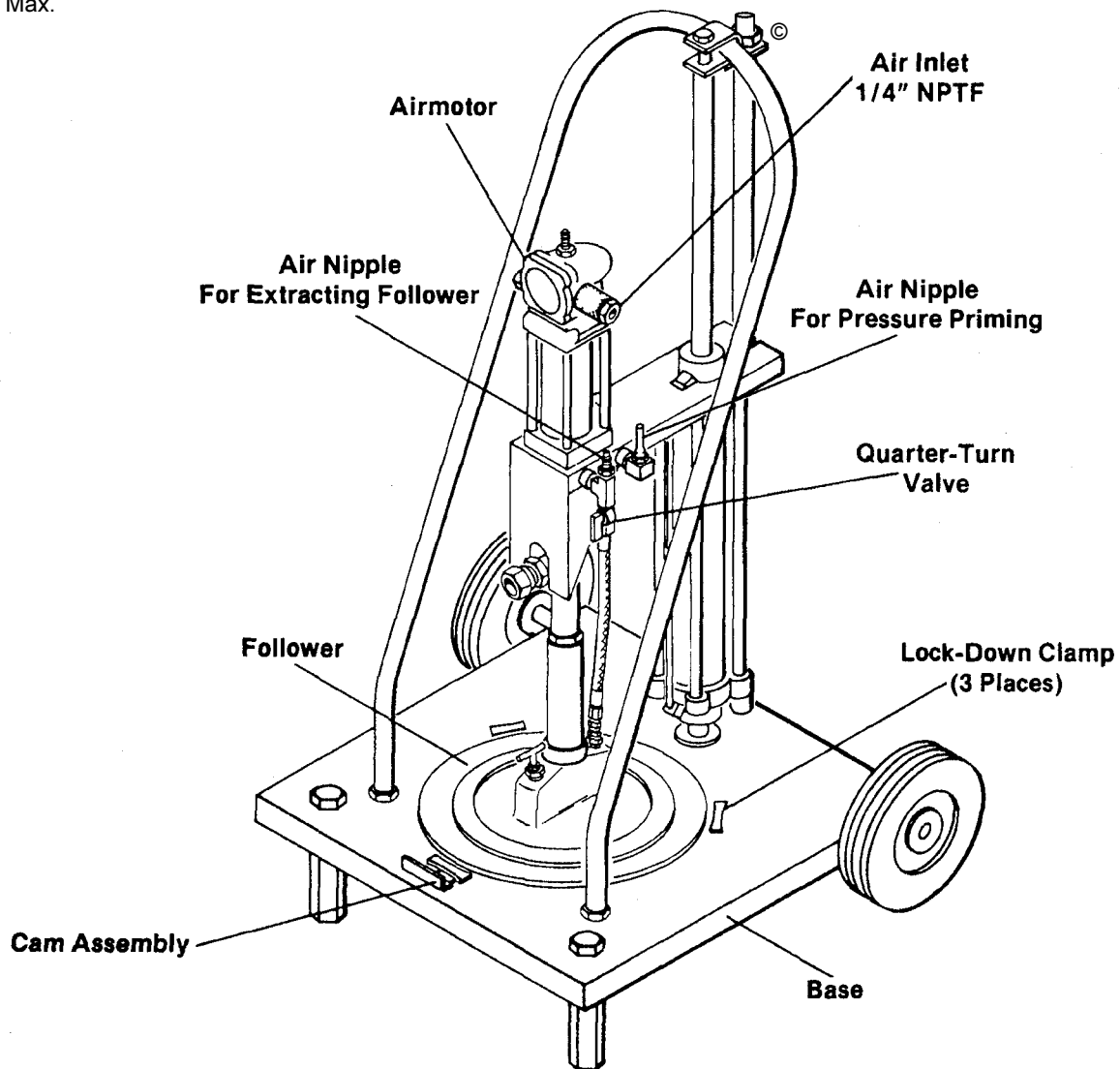


**PORTABLE PUMP
AND HOIST**
5 GALLON CONTAINER

**Model 1725
Series "D"**

SPECIFICATIONS

Operating air pressure - 50-75 psi
Weight - 90 lbs.
Dimensions - 26-5/8" Wide 24-5/8" Long x 45-1/2" High
25:1 Ratio
Elevation Travel - 17"
.25 GPM
500 PSI Max.



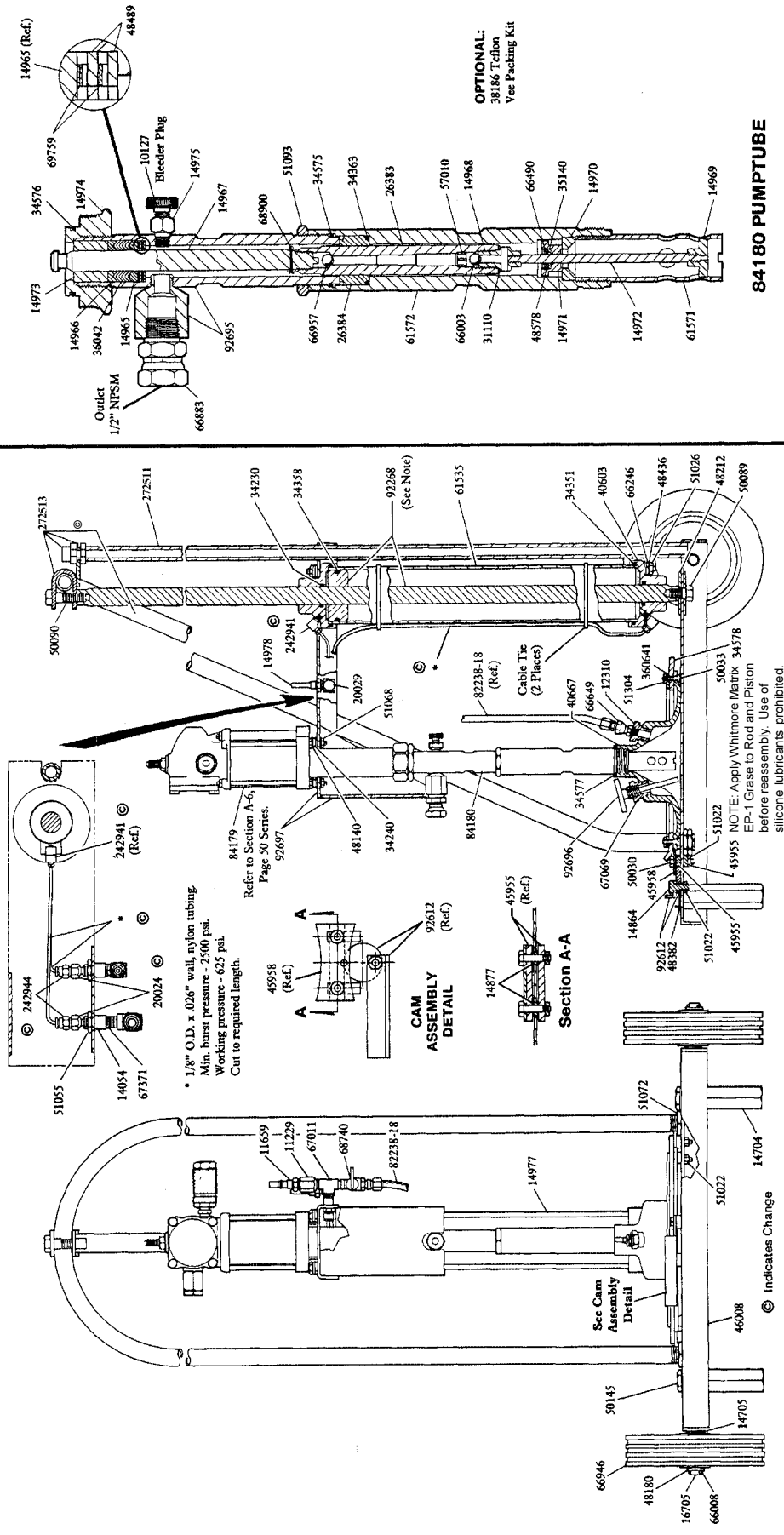
© Indicates change



One Lincoln Way
St. Louis, MO 63120-1578
(314) 679-4200

Copyright 2002
Printed in U.S.A.

Section - A32
Page - 5E



OPERATION

- 1) Turn quarter-turn valve to off position (handle horizontal). Attach air coupler to the air nipple adjacent to quarter-turn valve to raise the pump. Place container on the base between the lock-down clamps and turn the cam assembly to clamp container securely in place.
- 2) Remove the vent plug from the follower and the air coupler from the air nipple to lower the follower onto the top of the pail
- 3) Press air coupler onto the unbarbed air nipple to force the follower against the surface of the material expelling any air beneath the follower through the vent plug opening. Replace the vent plug when material is observed in the opening.

© Indicates change

TO REMOVE EMPTY CONTAINER

Disconnect the coupler from the air nipple on the airmotor and couple to the air nipple on the support channel. Open the quarter-turn valve (handle vertical) diverting air to both the hoist air cylinder and to the underside of the follower. Shut the quarter valve off once the pump and follower are moving upward. When the follower has cleared the top of the pail, rotate the lock-down cam on the hoist base and remove the pail.

PRIMING

Open bleeder plug in pump outlet. Couple air supply line to airmotor. Operate pump until material flows from bleeder plug opening, then tighten bleeder plug and open control valve as the end of the delivery hose. The system is fully primed when material flows from the control valve.

84180 PUMPTUBE

OPTIONAL:
38186 Teflon
Vee Packing Kit

SERVICE PARTS

Part	Qty.	Description	Part	Qty.	Description
10127	1	Vent plug	48382	2	Washer
11229	1	Bushing	48436	8	Washer
11659	1	Air nipple	48489	2	Washer
12310	1	Bushing	48578	1	Washer
14054	2	Nipple	50030	6	Screw
14704	2	Leg	50033	8	Screw
14705	2	Bushing	50089	1	Screw
14864	1	Cam bolt	50090	1	Screw
14877	2	Spacer	50145	2	Screw
14965	1	Male adapter	51022	7	Nut
14966	1	Female adapter	51026	8	Nut
14967	1	Gland rod	51055	2	Nut
14968	1	Check seat	51068	4	Nut
14969	1	Priming plunger	51072	6	Nut
14970	1	Check seat	51093	1	Nut
14971	1	Bottom check	51304	8	Nut
14972	1	Priming rod	57010	1	Valve tappet
14973	1	Bushing	61535	1	Tube
14974	1	Nut	61571	1	Priming tube
14975	1	Adapter	61572	1	Lower pump tube
14977	4	Tie rod	66003	1	1/4" Dia. ball
14978	1	Air nipple	66008	2	Cotter pin
16705	1	Axle	66246	8	Lockwasher
20024	2	Bushing	66490	1	Retaining ring
20029	1	900 Angle body	66649	1	Adapter union
26383	1	Pump rod	66883	1	Adapter union
26384	1	Plunger bushing	66946	2	Wheel
31110	1	Gasket	66957	1	9/32" Dia. ball
34230	2	O-ring (Buna-N)	67011	1	Tee
34240	4	Packing	67069	1	Bushing
34351	2	O-ring (Buna-N)	67371	1	Nipple
34358	1	O-ring (Buna-N)	68740	1	Quarter-turn valve
34363	1	O-ring (Buna-N)	68900	1	Cotter key
34575	1	O-ring (Buna-N)	69759	4	Wave washer
34576	1	O-ring (Buna-N)	82238-18	1	Feeder line hose
34577	1	O-ring (Buna-N)	84179	1	Divorced airmotor ass'y.
34578	1	Follower wiper	84180	1	Pumptube
35140	1	Gland packing	92268	1	Piston & piston rod ass'y.
36042	1	Leather vee packing kit	92612	1	Cam assembly
40603	2	Cylinder end	92695	1	Outlet pump tube & adapter ass'y.
40667	1	Follower	92696	1	Probe assembly
45955	4	Clamp base	92697	1	Support assembly
45958	3	Clamp top	242941	2	Tube connector
46008	1	Base	242944	2	Tube fitting
48140	8	Packing washer	272511	1	Tube
48180	2	Swivel washer	272513	1	Support tube & bracket ass'y.
48212	2	Washer	360641	1	Wiper ring

©
©

RETAIN THIS INFORMATION FOR FUTURE REFERENCE.
 When ordering replacement parts, list: Part Number, Description, Model Number, and Series Letter.

 LINCOLN provides a Distributor Network that stocks equipment and replacement parts.

© Indicates change