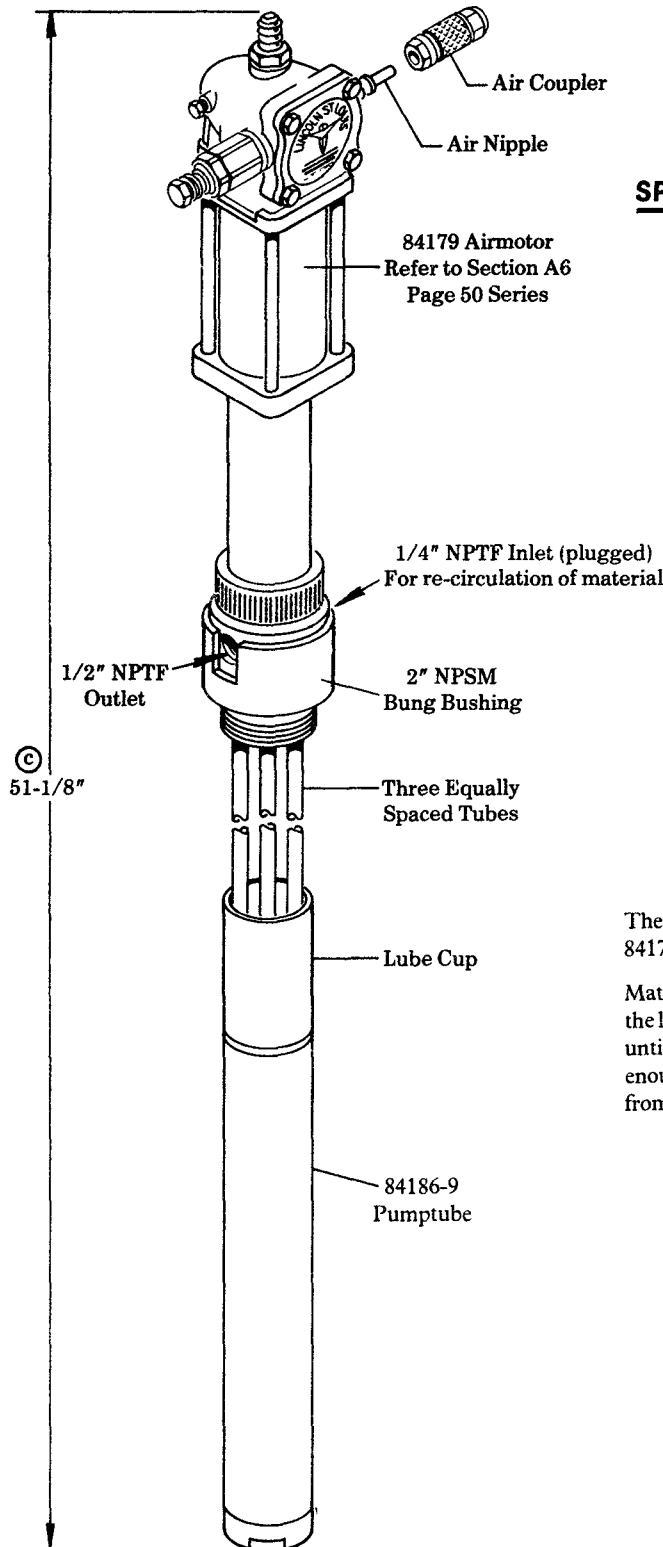


STAINLESS STEEL PUMP

Model 84080-9

55 GALLON DRUM SIZE
3:1 RATIO

Series "B"



SPECIFICATIONS:

MAXIMUM AIR PRESSURE - 125 PSI
MAXIMUM OPERATING TEMPERATURE - 480° F.

WARNING
DO NOT OPERATE
WITH COMBUSTIBLE GAS

The Model 84080-9 Pump (w/glass-filled Teflon packings) consists of an 84179 Airmotor and an AISI Type 316 stainless steel pumptube.

Material is pumped to the outlet through three equally spaced tubes. At the lower end of the tubes is a lube cup which is submerged in the material until the material level is pumped below this point. The lube cup retains enough material to fill the small cylinder, protecting the piston packings from dried or caked material.

© Indicates change

LINCOLN

A DIVISION OF
McNEIL CORPORATION

One Lincoln Way
St. Louis, MO 63120-1578
(314) 679-4200

SECTION - **A36**
PAGE - **4C**

84186-9 PUMPTUBE

SERVICE OF LOWER PUMPING UNIT

Loss of volume and pressure or continuous operation of pump when not in normal use indicates:

- 1) Drum is empty.
- 2) Foreign material lodged between 69681-9 Ball and 14886-9 Foot Valve. Inspect ball check and seat for foreign particles or wear.
- 3) Foreign material lodged between 66071-9 Ball and 14888-9 Piston. Inspect ball check and seat for foreign particles or wear.
- 4) Material by-passing the U-cup packings at one or both pistons. Replace packings.

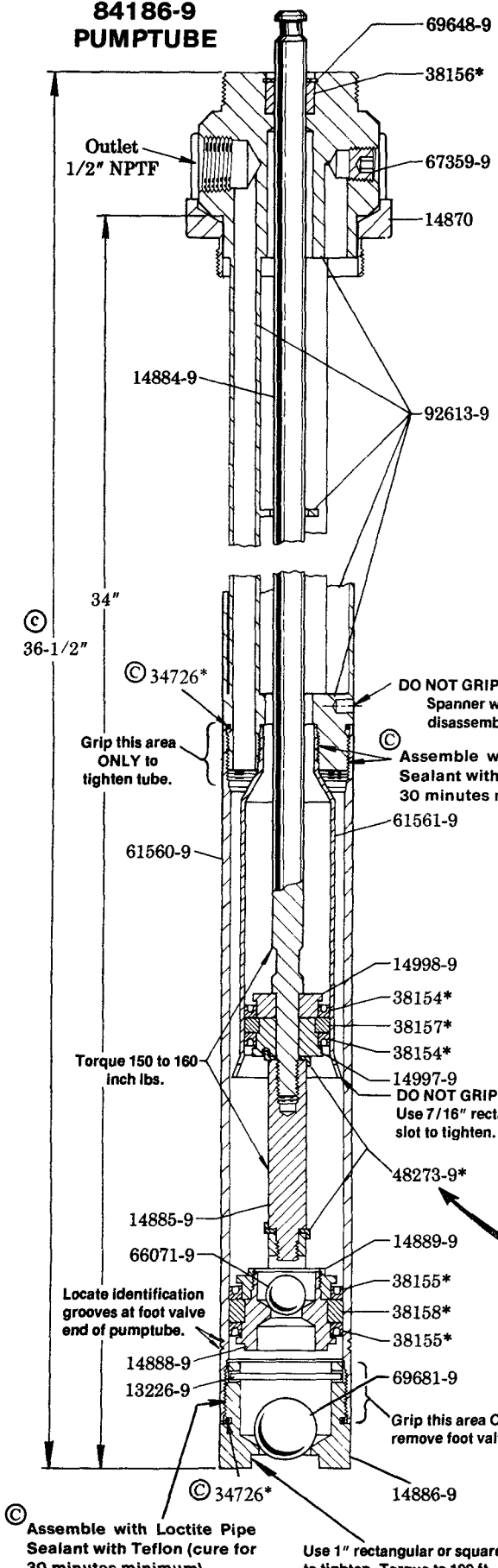
IMPORTANT: Do not squeeze or bend the lip of Teflon U-cup packings during assembly.

Inside of 61560-9 Pump Tube or 61561-9 Sleeve may be rough or scored. Remove and inspect, replace if necessary.

NOTE: Lubricate threads during assembly to prevent galling.

Recommended lubricants:

- 1) DOW CORNING "Molykote", M-8800 Molybdenum Disulfide.
- 2) DUPONT "Slipspray" dry lubricant.
- 3) "Teflon Spray"



SERVICE PARTS

PART	QUAN.	DESCRIPTION
13226-9	1	Ball retaining pin
14870	1	Bung bushing
14884-9	1	Rod
14885-9	1	Rod
14886-9	1	Foot valve
14888-9	1	Piston
14889-9	1	Piston half
14997-9	1	Bushing
14998-9	1	Retainer
*34726	2	O-ring
*38154	2	U-cup packing
*38155	2	U-cup packing
*38156	1	Bushing
*38157	1	Piston wear ring
*38158	1	Piston wear ring
*48273-9	2	Lockwasher
61560-9	1	Pump tube
61561-9	1	Sleeve
66071-9	1	Ball
67359-9	1	Pipe plug
69648-9	1	Retaining ring
69681-9	1	Ball
92613-9	1	Outlet body assembly

*Indicates parts included in 83069 Service Kit.

© Indicates change

RETAIN THIS INFORMATION FOR FUTURE REFERENCE

When ordering replacement parts, list: Part Number, Description, Model Number, and Series Letter.
LINCOLN ST. LOUIS provides a Distributor Network that stocks equipment and replacement parts.
 A list of Authorized Service Departments will be furnished upon request.