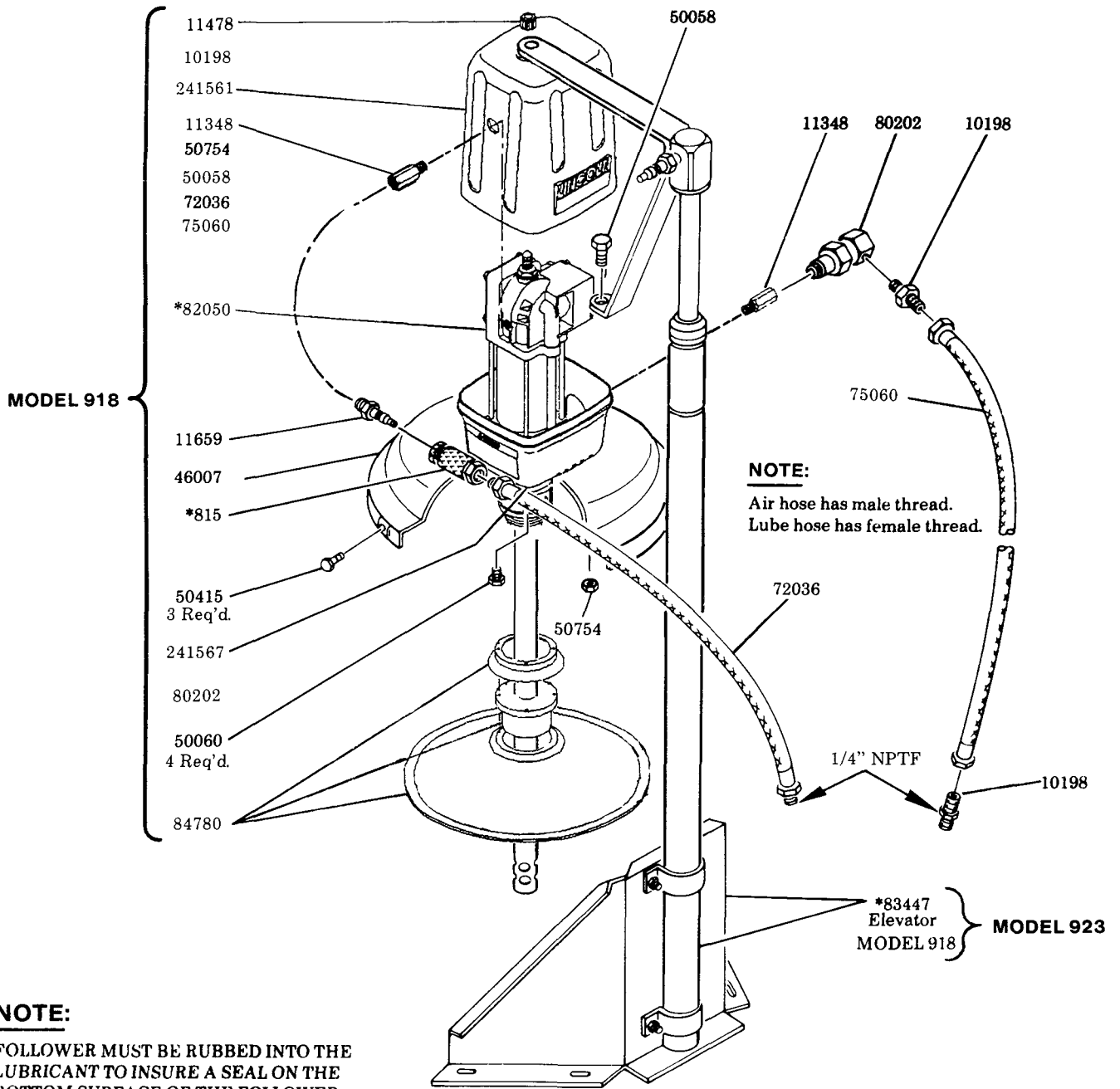
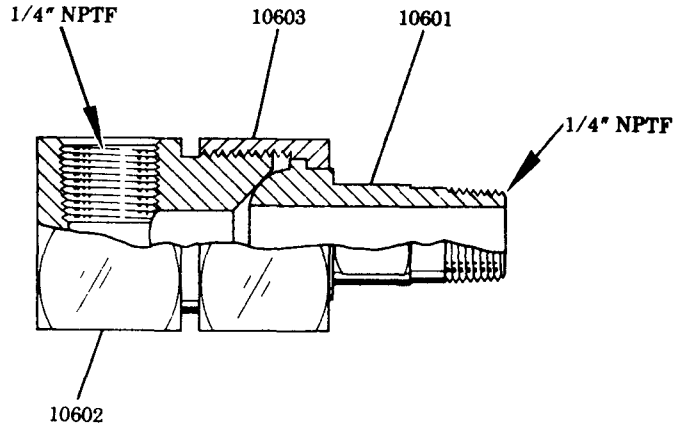


**120 LB. DRUM
50:1 RATIO**



*REFER TO SEPARATE INSTRUCTIONS	
815 Air Coupler	Section G9, Page 2 Series
82050 Basic Pump	Section A5, Page 7 Series
83447 Elevator Assembly	Section A6, Page 42 Series



80202 ELBOW UNION

SERVICE PARTS

Part	Qty.	Description	Part	Qty.	Description
815	1	Air coupler	50415	3	Screw
10198	2	Hose connector	50754	1	Nut
10601	1	Coupler stud	72036	1	Air hose
10602	1	Coupler body	75060	1	Lube hose
10603	1	Coupler nut	80202	1	Elbow union
11348	2	Outlet adapter	82050	1	Basic pump
11478	1	Cover nut	83447	1	Elevator assembly
11659	1	Air coupler nipple	84780	1	Follower
46007	1	Drum cover	241561	1	Airmotor cover
50058	1	Screw	241567	1	Cover-bottom
50060	4	Screw			

RETAIN THIS INFORMATION FOR FUTURE REFERENCE

When ordering replacement parts, list: Part Number, Description, Model Number, and Series Letter.

LINCOLN provides a Distributor Network that stocks equipment and replacement parts.