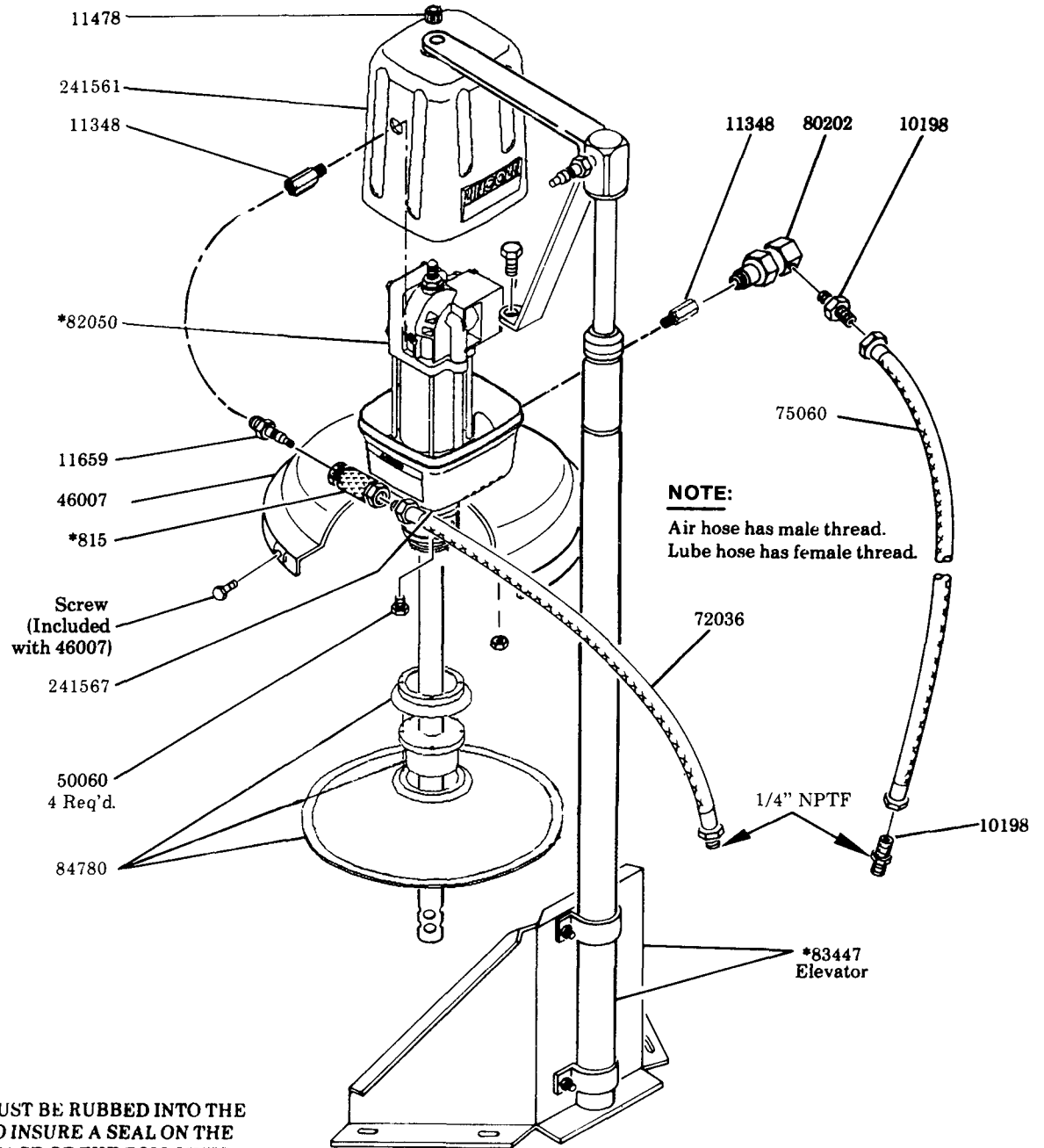


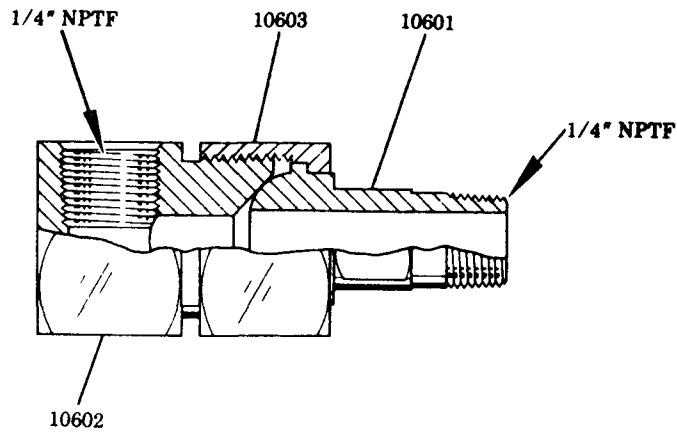
**120 LB. DRUM
50:1 RATIO**



NOTE:
Air hose has male thread.
Lube hose has female thread.

NOTE:
FOLLOWER MUST BE RUBBED INTO THE
LUBRICANT TO INSURE A SEAL ON THE
BOTTOM SURFACE OF THE FOLLOWER.

***REFER TO SEPARATE INSTRUCTIONS**
815 Air Coupler
82050 Basic Pump
83447 Elevator Assembly



80202 ELBOW UNION

SERVICE PARTS

Part	Qty.	Description	Part	Qty.	Description
815	1	Air coupler	72036	1	Air hose
10198	2	Hose connector	75060	1	Lube hose
10601	1	Coupler stud	80202	1	Elbow union
10602	1	Coupler body	82050	1	Basic pump
10603	1	Coupler nut	83447	1	Elevator assembly
11348	2	Outlet adapter	84780	1	Follower
11478	1	Cover nut	241561	1	Airmotor cover
11659	1	Air coupler nipple	241567	1	Cover-bottom
46007	1	Drum cover			
50060	4	Screw			

RETAIN THIS INFORMATION FOR FUTURE REFERENCE

When ordering replacement parts, list: Part Number, Description, Model Number, and Series Letter.

LINCOLN provides a Distributor Network that stocks equipment and replacement parts.