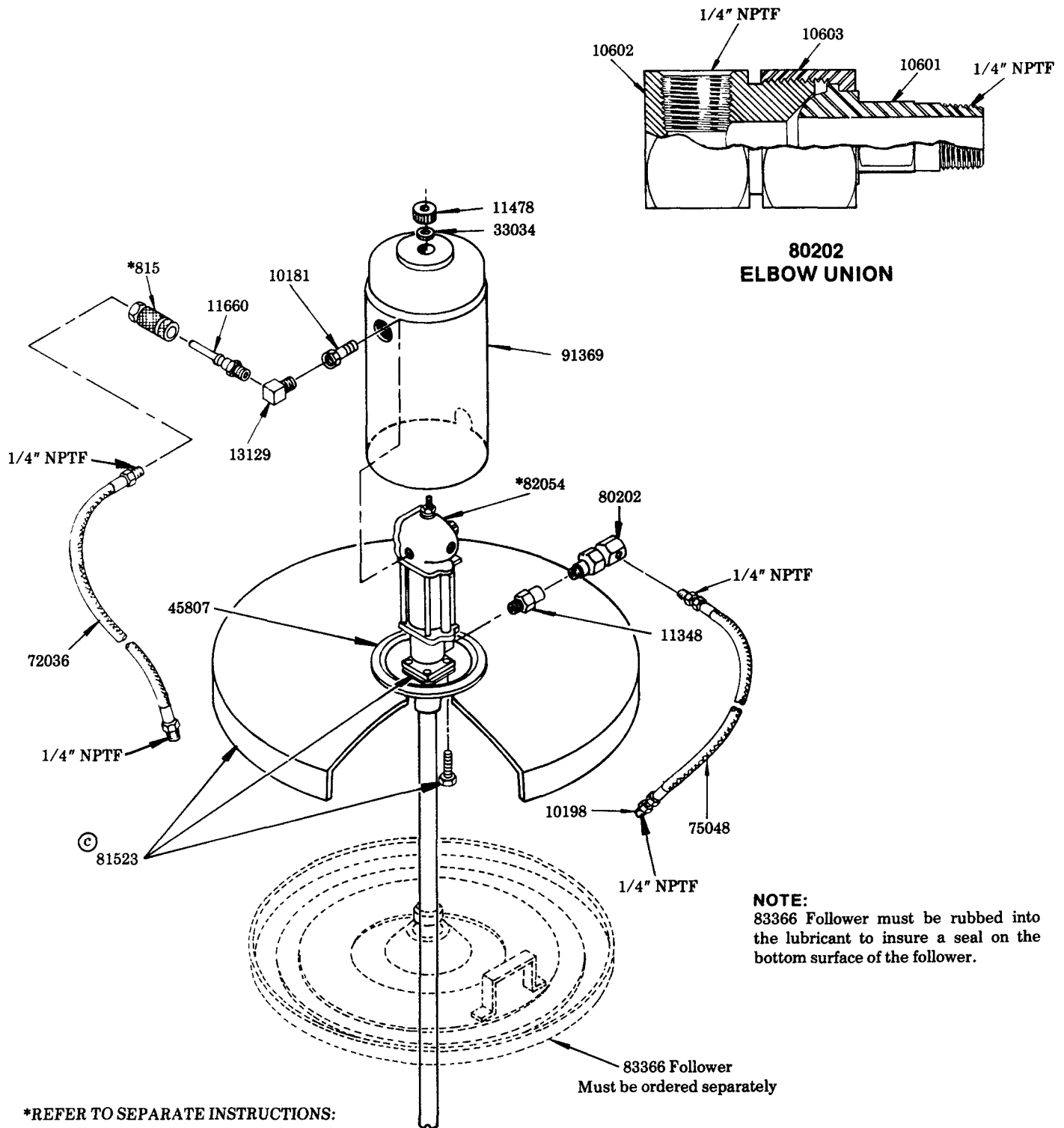


# CHASSIS LUBRIGUN

400 LB. DRUM SIZE

50:1 RATIO

# Model 926



\*REFER TO SEPARATE INSTRUCTIONS:

815 Air Coupler Section G9, Page 2 Series  
82054 Basic Pump Section A5, Page 7 Series

**NOTE:**  
83366 Follower must be rubbed into the lubricant to insure a seal on the bottom surface of the follower.

83366 Follower  
Must be ordered separately

© Indicates change

**LINCOLN**

A PENTAIR COMPANY

One Lincoln Way  
St. Louis, MO 63120-1578  
(314) 679-4200  
Customer Service, (314) 679-4300

SECTION - **A5**  
PAGE - **39F**

---

### SERVICE PARTS

PART	QUAN.	DESCRIPTION
815	1	Air coupler
10181	1	Adapter
10198	2	Hose connector
10601	1	Coupler stud
10602	1	Coupler body
10603	1	Coupler nut
11348	1	Outlet adapter
11478	1	Cover nut
11660	1	Air coupler nipple
13129	1	Airline connector
33034	1	Fiber washer
45807	1	Cover guide
72036	1	Air hose
75048	1	Lubricant hose
80202	1	Elbow union
81523	1	Drum cover assembly
82054	1	Basic pump assembly
91369	1	Airmotor cover

————— **RETAIN THIS INFORMATION FOR FUTURE REFERENCE** —————

When ordering replacement parts, list: Part Number, Description, Model Number, and Series Letter.

LINCOLN ST. LOUIS provides a Distributor Network that stocks equipment and replacement parts.  
A list of Authorized Service Departments will be furnished upon request.