

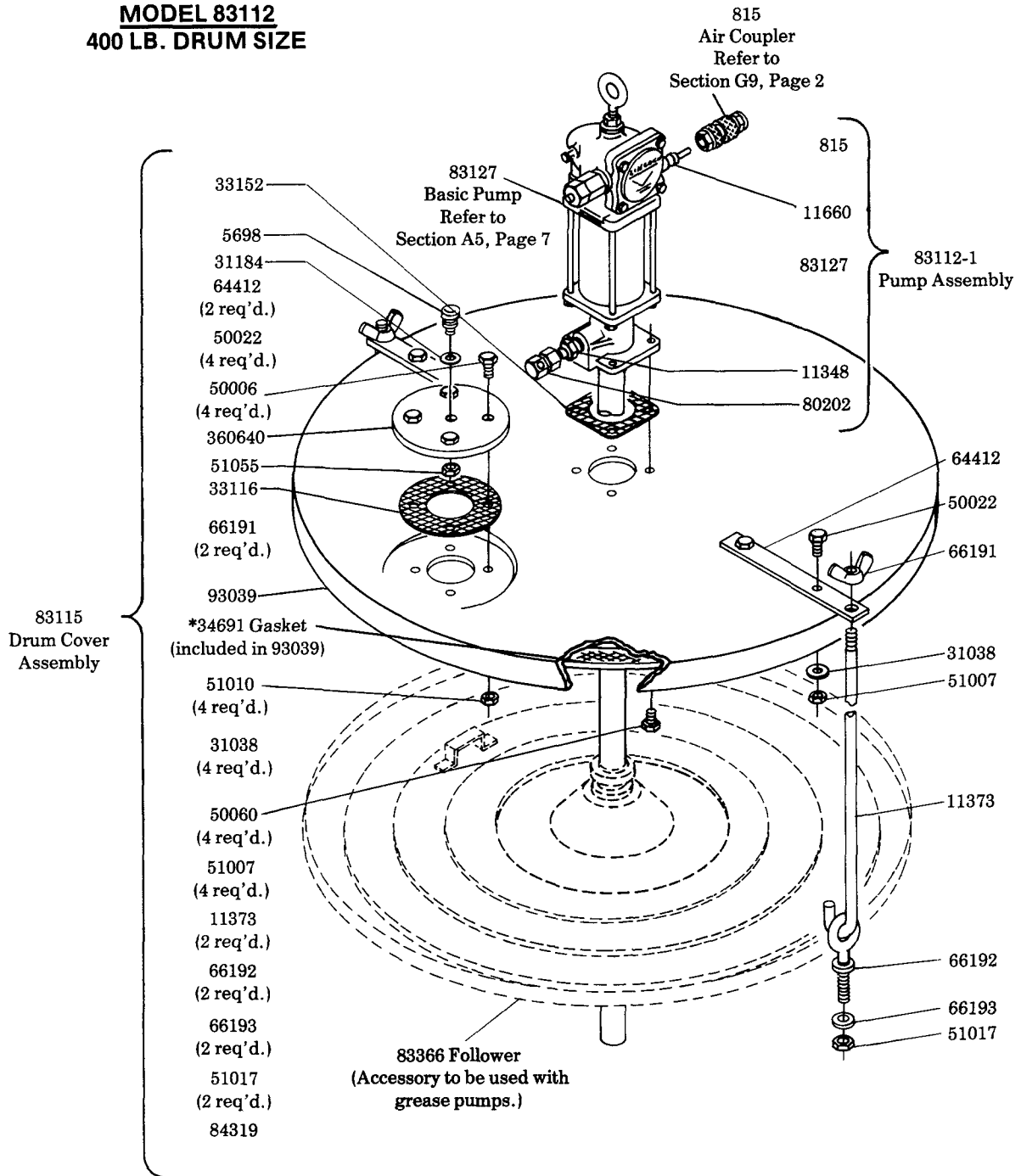
HIGH PRESSURE LUBRIGUNS

FOR USE ON LUBROVANS AND LUBMOBILES
120 LB. AND 400 LB. DRUM SIZE (50 TO 1 RATIO)



MODEL 82991 83112

MODEL 83112 400 LB. DRUM SIZE

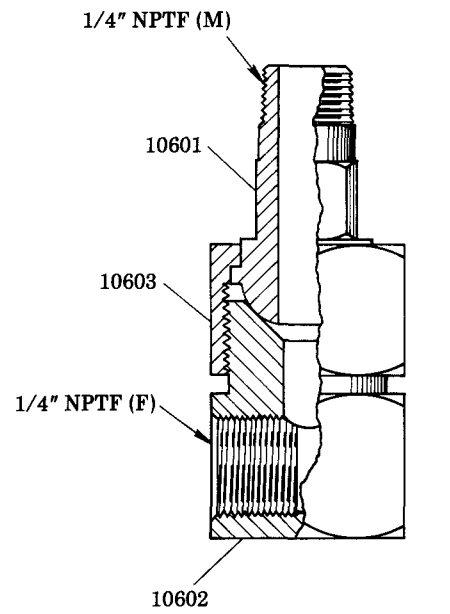
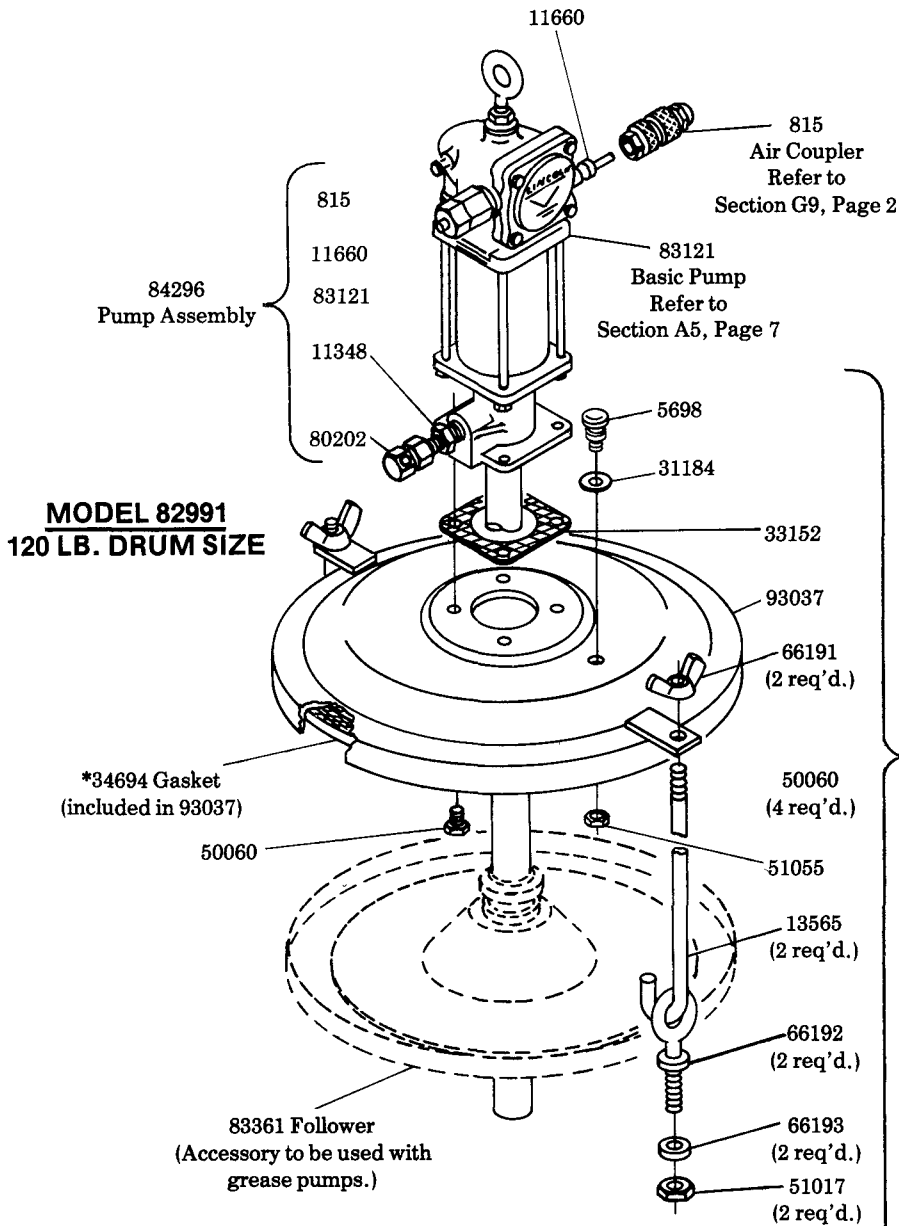


*CEMENT GASKET TO DRUM COVER WITH 3M #EC-1099 CEMENT.

LINCOLN ST. LOUIS
4010 GOODFELLOW BLVD · ST. LOUIS, MO 63120 · (314) 383 5900

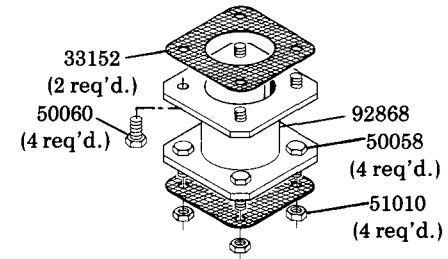
A DIVISION OF
McNEIL
CORPORATION

SECTION **-A5**
PAGE **-41C**



80202 ELBOW UNION

82989 Drum Cover Assembly



84319 PUMP BUSHING ASSEMBLY

Use with oil pumps only
(included in 83115)

*CEMENT GASKET TO DRUM COVER
WITH 3M #EC-1099 CEMENT.

SERVICE PARTS

PART	DESCRIPTION	PART	DESCRIPTION	PART	DESCRIPTION
815	Air coupler	34691	Gasket	66193	Lockwasher
5698	Vent fitting	34694	Gasket	80202	Elbow union
10601	Coupler stud	50006	Screw	82989	Drum cover & tie rod assembly
10602	Coupler body	50022	Screw	83112-1	High pressure pump assembly
10603	Coupler nut	50058	Screw	83115	Drum cover & tie rod assembly
11348	Outlet adapter	50060	Screw	83121	Bare pump assembly
11660	Fitting	51007	Nut	83127	Bare pump assembly
11373	Tie rod	51010	Nut	84296	Pump assembly
13565	Tie rod	51017	Nut	84319	Pump bushing assembly
31038	Copper gasket	51055	Nut	92868	Pump bushing
31184	Gasket	64412	Tie rod bracket	93037	Drum cover assembly (120 lb.)
33116	Gasket	66191	Wing nut	93039	Drum cover assembly (400 lb.)
33152	Gasket	66192	Eye bolt	360640	Cover plate

RETAIN THIS INFORMATION FOR FUTURE REFERENCE

When ordering replacement parts, list: Part Number, Description, Model Number, and Series Letter.

LINCOLN ST. LOUIS provides a Distributor Network that stocks equipment and replacement parts.

A list of Authorized Service Departments will be furnished upon request.