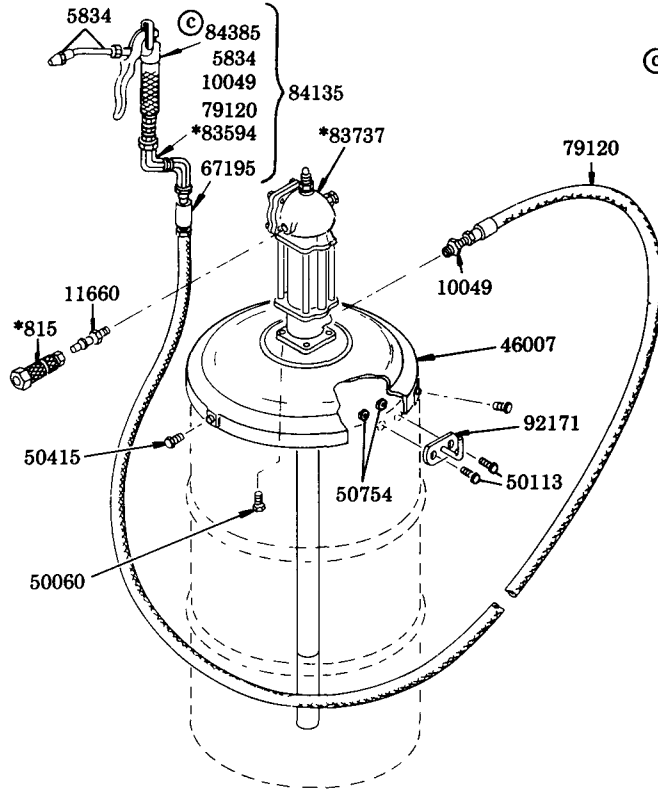


MEDIUM PRESSURE; 14:1 RATIO



© Indicates change

**WARNING**  
DO NOT OPERATE  
THESE UNITS WITH  
COMBUSTIBLE GAS.

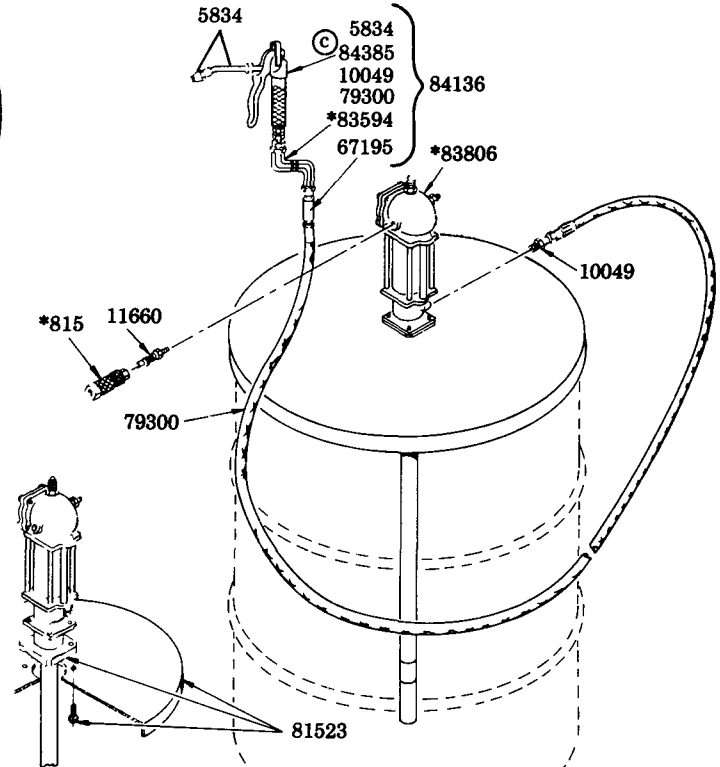
### MODEL 934

STATIONARY 120 LB. DRUM (SLEEVELESS)

1. Insert end of pump tube through hole in drum cover. Line up holes in drum cover with holes in pump outlet body. Use the four 50060 Screws and tighten securely.
2. Insert pump tube into drum of lubricant until drum cover rests on top bead of drum. Assemble the three 50415 Screws into the sides of the drum cover and tighten to hold assembly to drum.
3. Assemble the delivery hose into pump outlet. Connections must be leakproof.

**\*REFER TO SEPARATE INSTRUCTIONS:**

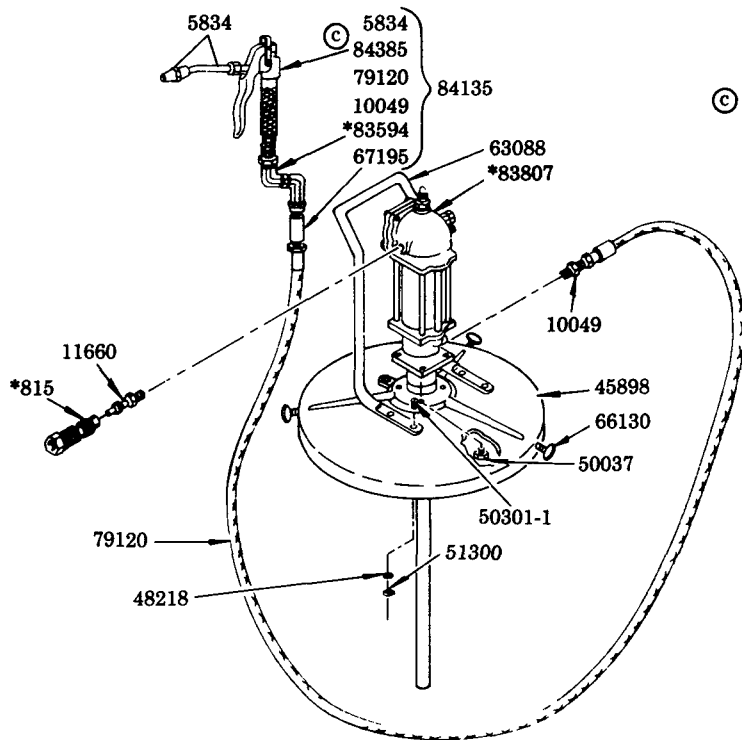
- 815 Air Coupler Section G9, Page 2 Series
- 5834 Nozzle Extension Section F3, Page 2 Series
- 83594 Swivel Section F1, Page 2 Series
- 83737 Pump Assm. Section A6, Page 47 Series
- 83806 Pump Assm. Section A6, Page 47 Series
- 83807 Pump Assm. Section A6, Page 47 Series
- 84385 Control Valve Section F3, Page 4 Series



### MODEL 935

STATIONARY 400 LB. DRUM (SLEEVELESS)

1. Insert end of pump tube through hole in drum cover. Line up holes in drum cover with holes in pump outlet body and fasten securely with four screws provided.
2. Assemble the delivery hose into pump outlet. Connections must be leakproof.



Ⓒ Indicates change

**WARNING**  
**DO NOT OPERATE**  
**THIS UNIT WITH**  
**COMBUSTIBLE GAS**

1. Assemble 63088 Handle to drum cover.
2. Insert end of pump tube through hole in drum cover. Line up holes in drum cover with holes in pump outlet body and fasten securely with four 50037 Screws.
3. Remove container lid from 35 lb. original refinery package. Insert pump tube into the container (drum cover resting on container rim). Assemble the three 66130 Thumb Screws into the sides of the drum cover and tighten to hold drum cover to the container.
4. Assemble delivery hose into pump outlet. Connections must be leakproof.

**MODEL 936**

35 LB. SIZE ORIGINAL CONTAINER

**SERVICE PARTS**

Part	Qty.	Description
815	1	Air coupler
5834	1	Coupler & extension
10049	1	Adapter
11660	1	Air nipple
45898	1	Drum cover
46007	1	Drum cover
48218	4	Washer
50037	4	Screw
50060	4	Screw
50113	2	Screw
50301-1	4	Screw
50415	3	Screw
50754	2	Nut
51300	4	Nut
63088	1	Handle
66130	3	Thumb screw
67195	1	Reducer
79120	1	Hose (10 ft.)
79300	1	Hose (25 ft.)
81523	1	Drum cover assembly
83594	1	Universal swivel
83737	1	Bare pump assembly
83806	1	Bare pump assembly
83807	1	Bare pump assembly
84135	1	Hose & control valve assembly
84136	1	Hose & control valve assembly
84385	1	Control valve
92171	1	Nozzle hanger

**RETAIN THIS INFORMATION FOR FUTURE REFERENCE**

When ordering replacement parts, list: Part Number, Description, Model Number, and Series Letter.

LINCOLN provides a Distributor Network that stocks equipment and replacement parts.