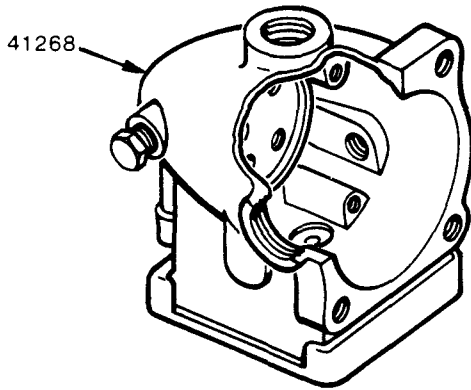
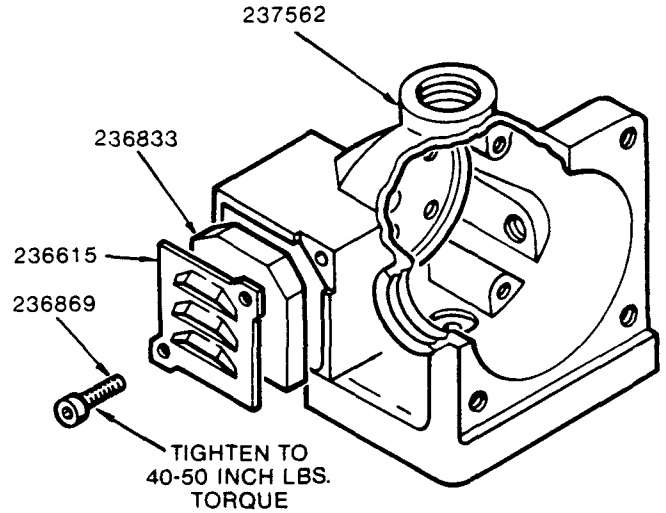


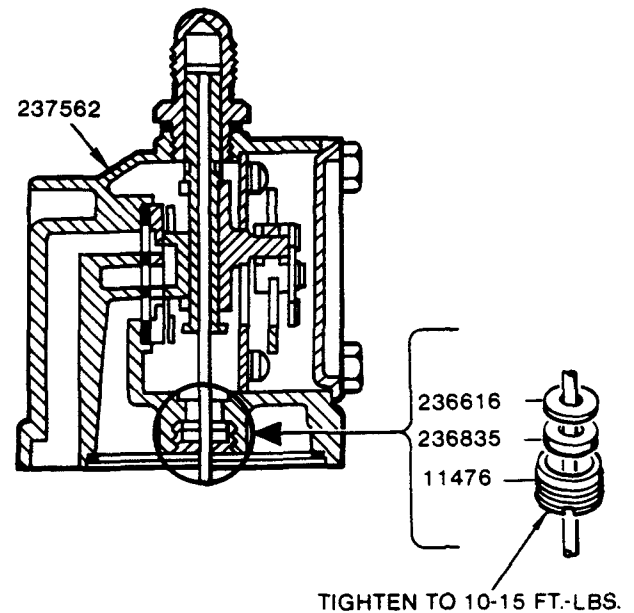
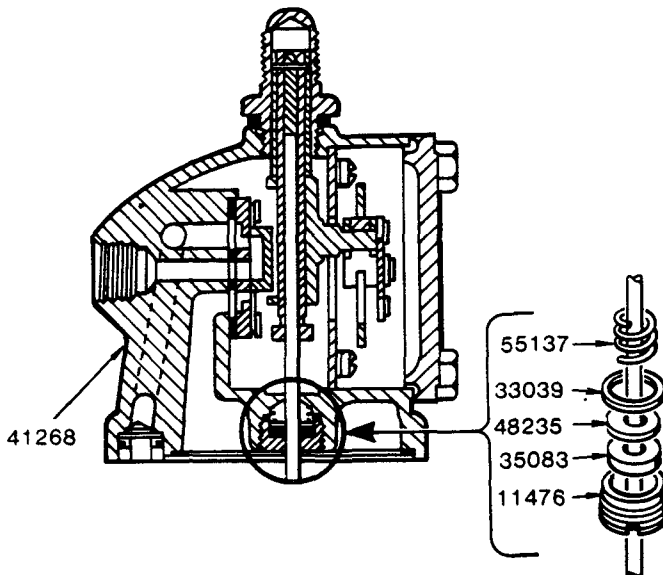
(REPLACES 41268)



**OLD STYLE**



**NEW STYLE**



**ASSEMBLY INSTRUCTIONS**

To replace the old style 41268 Valve Casting with the new style 237562 Valve Casting it is necessary to discard the 55137 Spring, 33039 Gasket, 48235 Washer, and the 35083 Packing. Reassemble using the 236616 Gasket, and the 236835 Packing. Assemble the Muffler Components 236615 and 236833 for a quiet running pump.