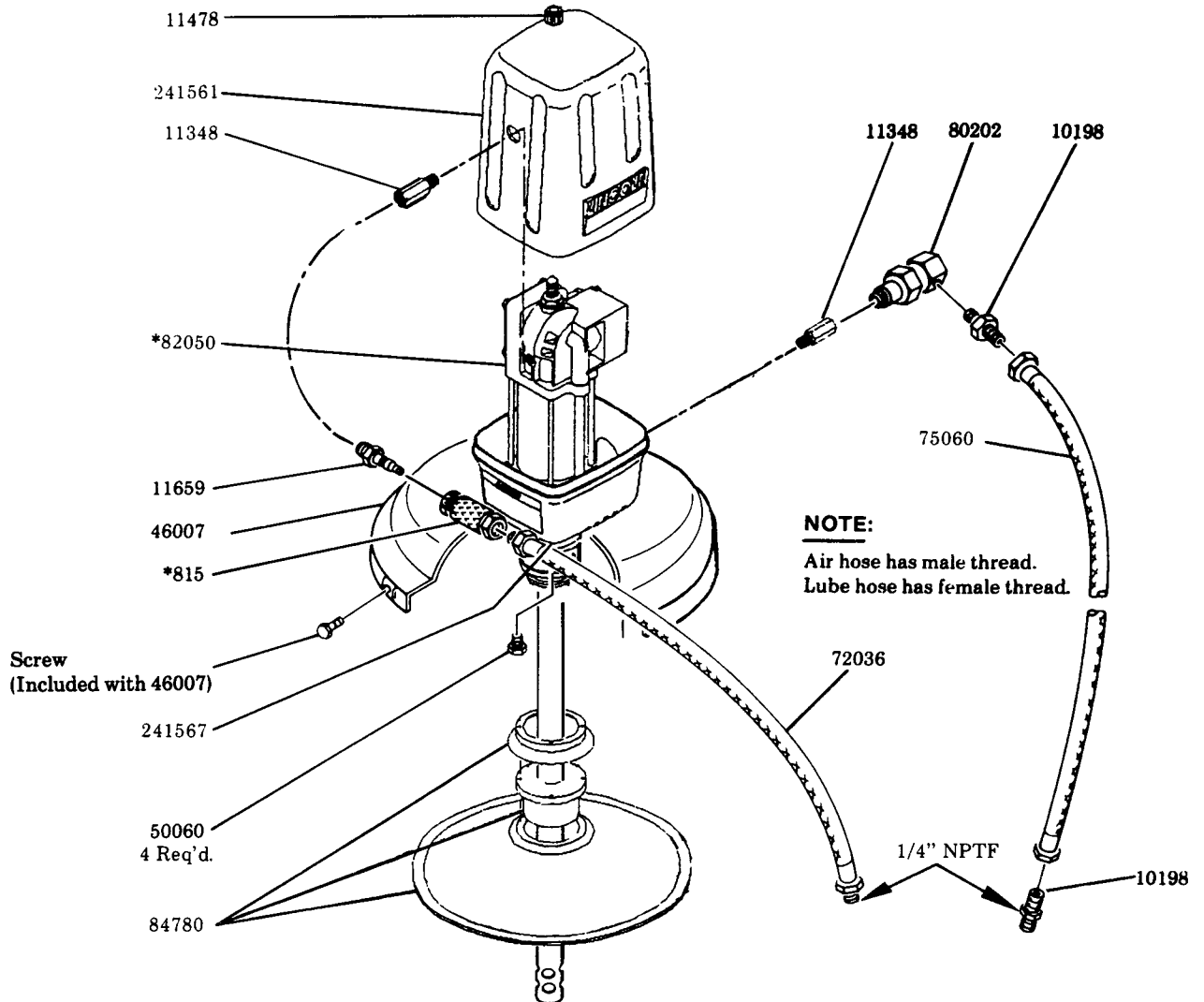


**120 LB. DRUM
50:1 RATIO**

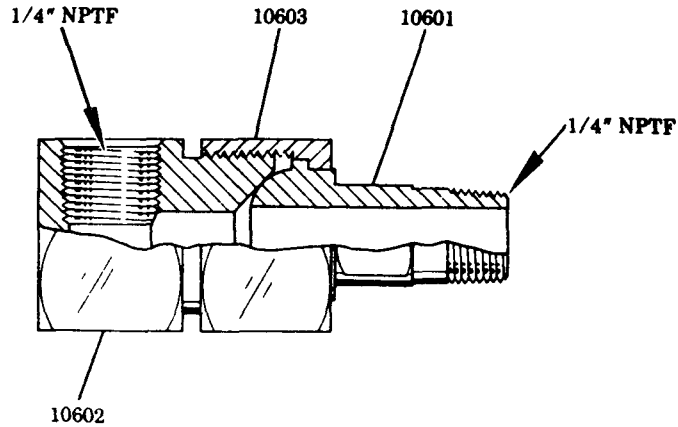


NOTE:

FOLLOWER MUST BE RUBBED INTO THE LUBRICANT TO INSURE A SEAL ON THE BOTTOM SURFACE OF THE FOLLOWER.

***REFER TO SEPARATE INSTRUCTIONS**

815 Air Coupler
82050 Basic Pump



80202 ELBOW UNION

SERVICE PARTS

Part	Qty.	Description	Part	Qty.	Description
815	1	Air coupler	50754	1	Nut
10198	2	Hose connector	72036	1	Air hose
10601	1	Coupler stud	75060	1	Lube hose
10602	1	Coupler body	80202	1	Elbow union
10603	1	Coupler nut	82050	1	Basic pump
11348	2	Outlet adapter	84780	1	Follower
11478	1	Cover nut	241561	1	Airmotor cover
11659	1	Air coupler nipple	241567	1	Cover-bottom
46007	1	Drum cover			
50060	4	Screw			

RETAIN THIS INFORMATION FOR FUTURE REFERENCE

When ordering replacement parts, list: Part Number, Description, Model Number, and Series Letter.

LINCOLN provides a Distributor Network that stocks equipment and replacement parts.