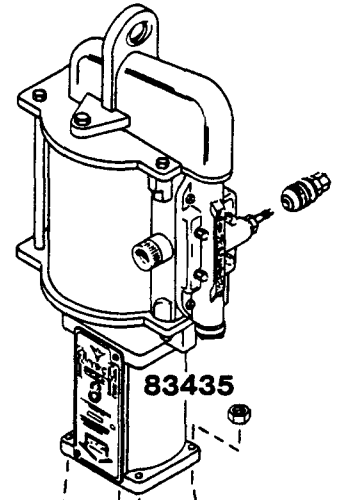
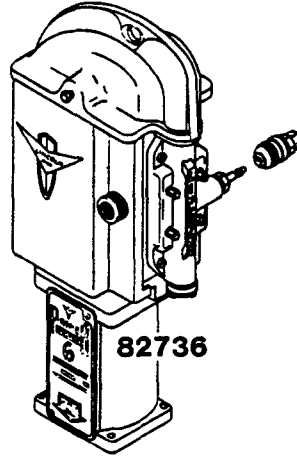
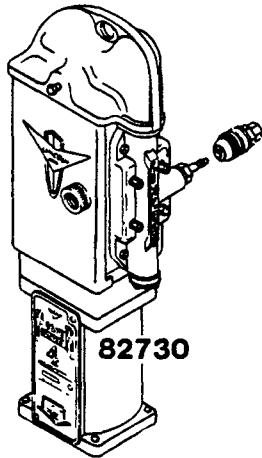


82730

**WARNING**  
DO NOT OPERATE  
WITH COMBUSTIBLE GAS

**PILE DRIVER  
PUMPS**  
(BALL TYPE FOOT VALVE)

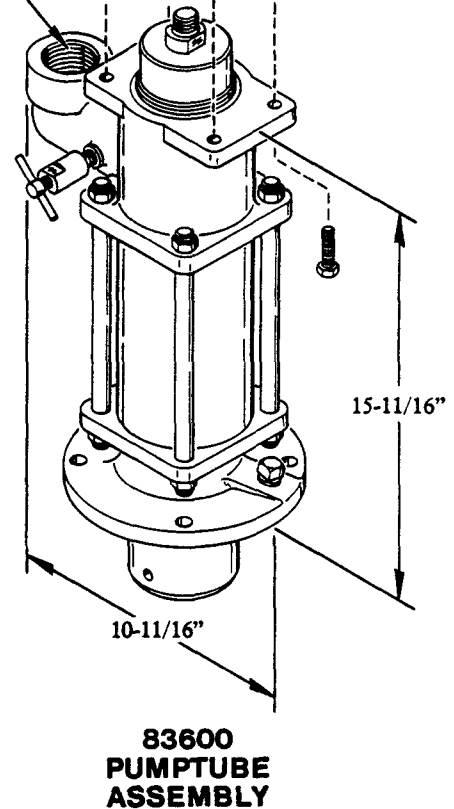
**AIRMOTOR MODELS**



**ATTACHING AIRMOTOR TO PUMPTUBE**

- 1- Tightly connect airmotor coupling nut to pump plunger.
- 2- Attach airmotor to the pump outlet body flange with the four bolts and nuts (hand tight) supplied with airmotor.
- 3- Slowly cycle the pump several times, using just enough air pressure to operate the pump without stalling.
- 4- Stop the pump on an "up" stroke and tighten the four bolts and nuts to securely fasten the airmotor to the pumptube.

1-1/2" NPTF (F)  
OUTLET



**MODEL CHART**

(\*Size of airmotor used with pumptube determines pump ratio.)

PUMPTUBE	PUMP MODEL	*RATIO	MAXIMUM AIR PRESSURE	AIRMOTOR	AIRMOTOR SERVICE PAGE
83600	2240	1.5:1	200 psi	82730	A-50, Pg. 3 Series
	2260	3:1	100 psi	82736	A-50, Pg. 3 Series
	2280	5:1	100 psi	83435	A-50, Pg. 6 Series

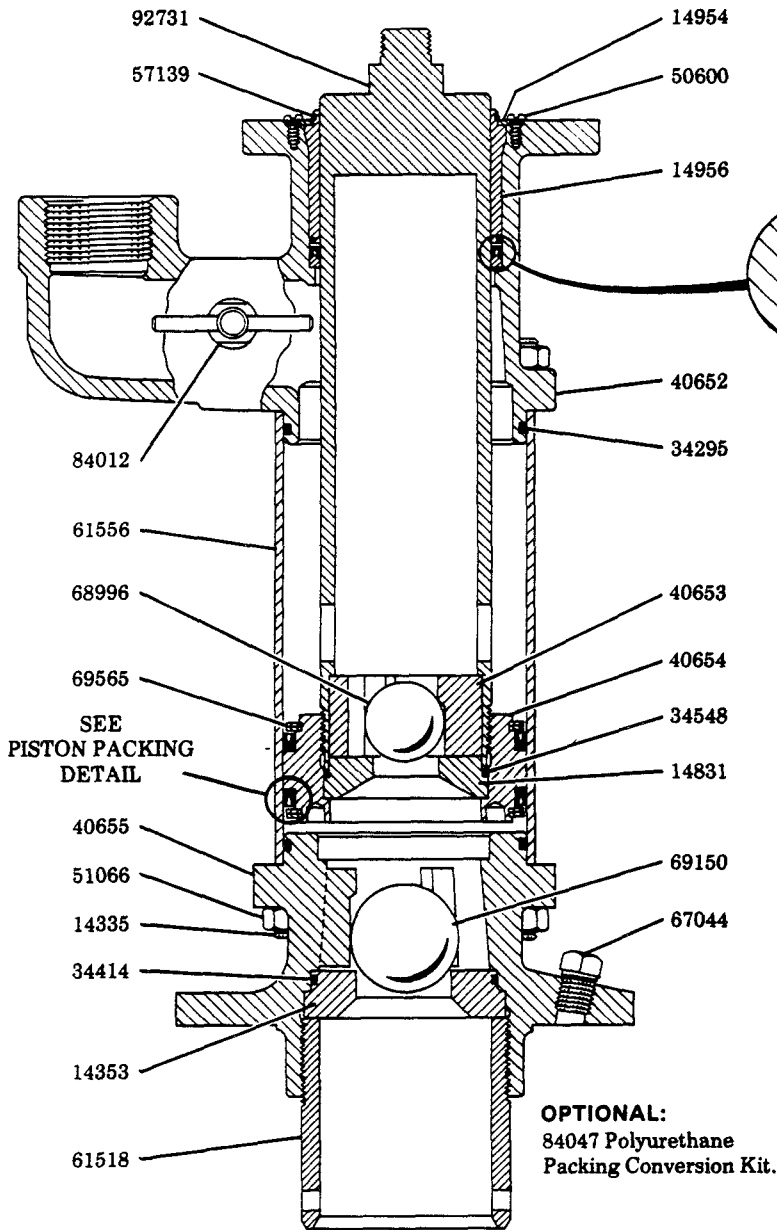
**LINCOLN**

A PENTAIR COMPANY

One Lincoln Way  
St. Louis, MO 63120-1578  
(314) 679-4200  
Customer Service, (314) 679-4300

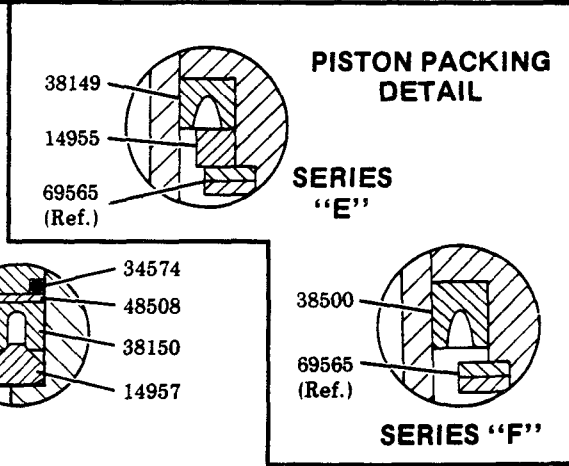
SECTION - **A50**  
PAGE - **38F**

# 83600 PUMPTUBE ASSEMBLY



**OPTIONAL:**  
84047 Polyurethane  
Packing Conversion Kit.

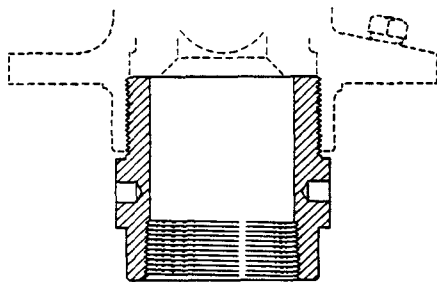
**NOTE:** 69278 Adjustable Spanner Wrench is available for service of pumptube assembly.



## SERVICE PARTS

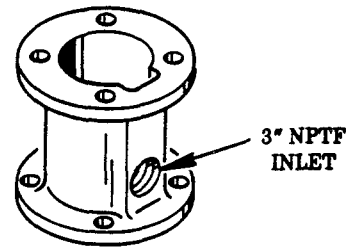
PART	QUAN.	DESCRIPTION
14335	4	Tie rod
*14353	1	Check seat
*14831	1	Check seat
14954	1	Washer
*14955	2	U-cup spacer
14956	1	Gland bushing
14957	1	Spreader
*34295	2	O-ring
*34414	1	O-ring
*34548	1	O-ring
*34574	1	O-ring
*38149	2	U-cup packing (Fluoroloy "G")
*38150	1	U-cup packing (Fluoroloy "G")
*38500	2	U-cup packing (Polyethylene)
40652	1	Outlet body
40653	1	Ball cage
40654	1	Piston
40655	1	Adapter plate
48508	1	Back-up ring
50600	2	Screw
51066	8	Nut
57139	1	Ring spring
61518	1	Tube
61556	1	Pump tube
67044	1	Pipe plug
68996	1	Ball
69150	1	Ball
69565	2	External retaining ring
84012	1	Bleeder valve
92731	1	Plunger assembly

\*Recommended service parts inventory.



**14662 STUB MOUNT ADAPTER**  
FOR MOUNTING TO 2-1/2" NPT STANDPIPE

## ACCESSORIES



**83720 STANDPIPE**  
FOR FLOOR STUB MOUNTING

### RETAIN THIS INFORMATION FOR FUTURE REFERENCE

When ordering replacement parts, list: Part Number, Description, Model Number, and Series Letter.

LINCOLN provides a Distributor Network that stocks equipment and replacement parts.

A list of Authorized Service Departments will be furnished upon request.