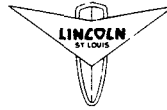


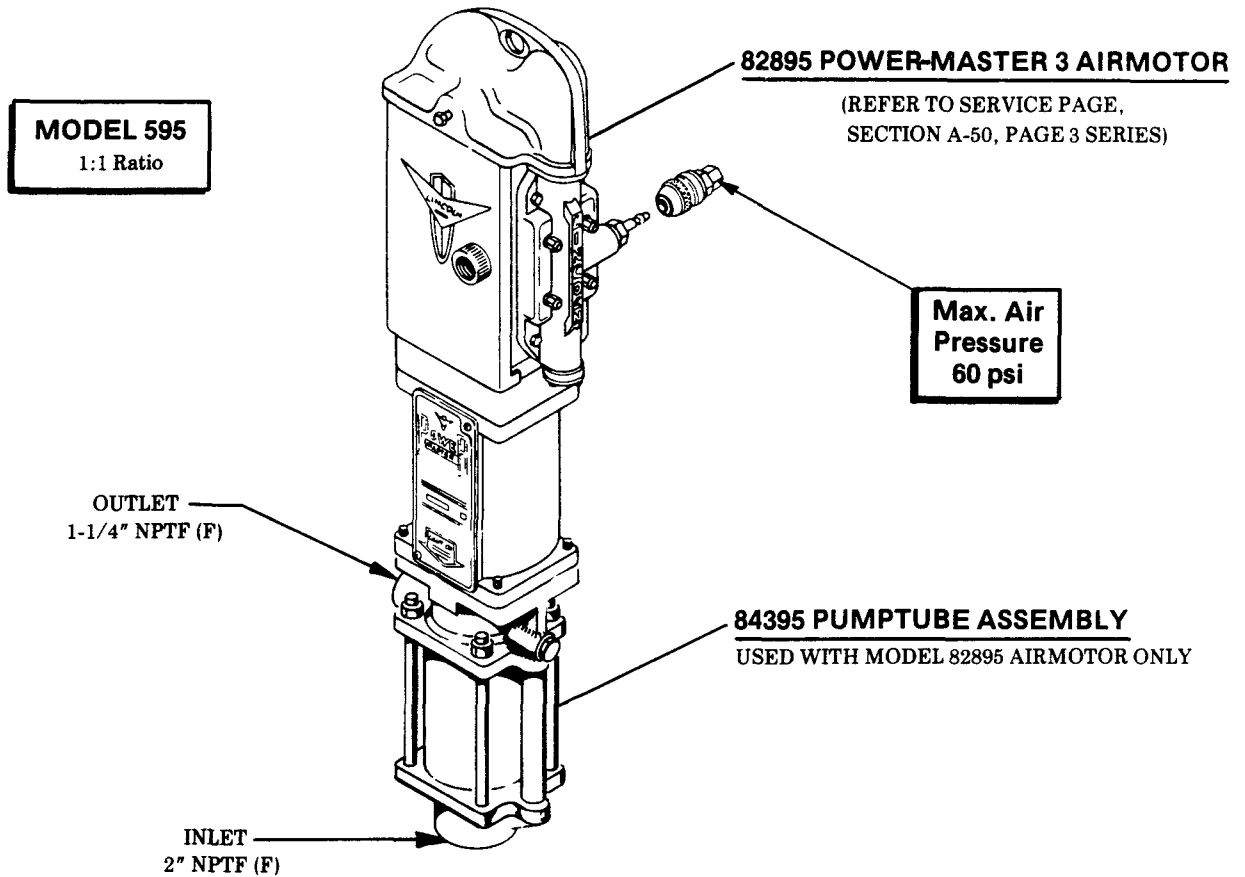
VOLUME-MASTER PUMP

FOR USE WITH FLAMMABLE LIQUIDS
(UL APPROVED)



Models 595, 84395

Series "C"



ATTACHING AIRMOTOR TO PUMPTUBE

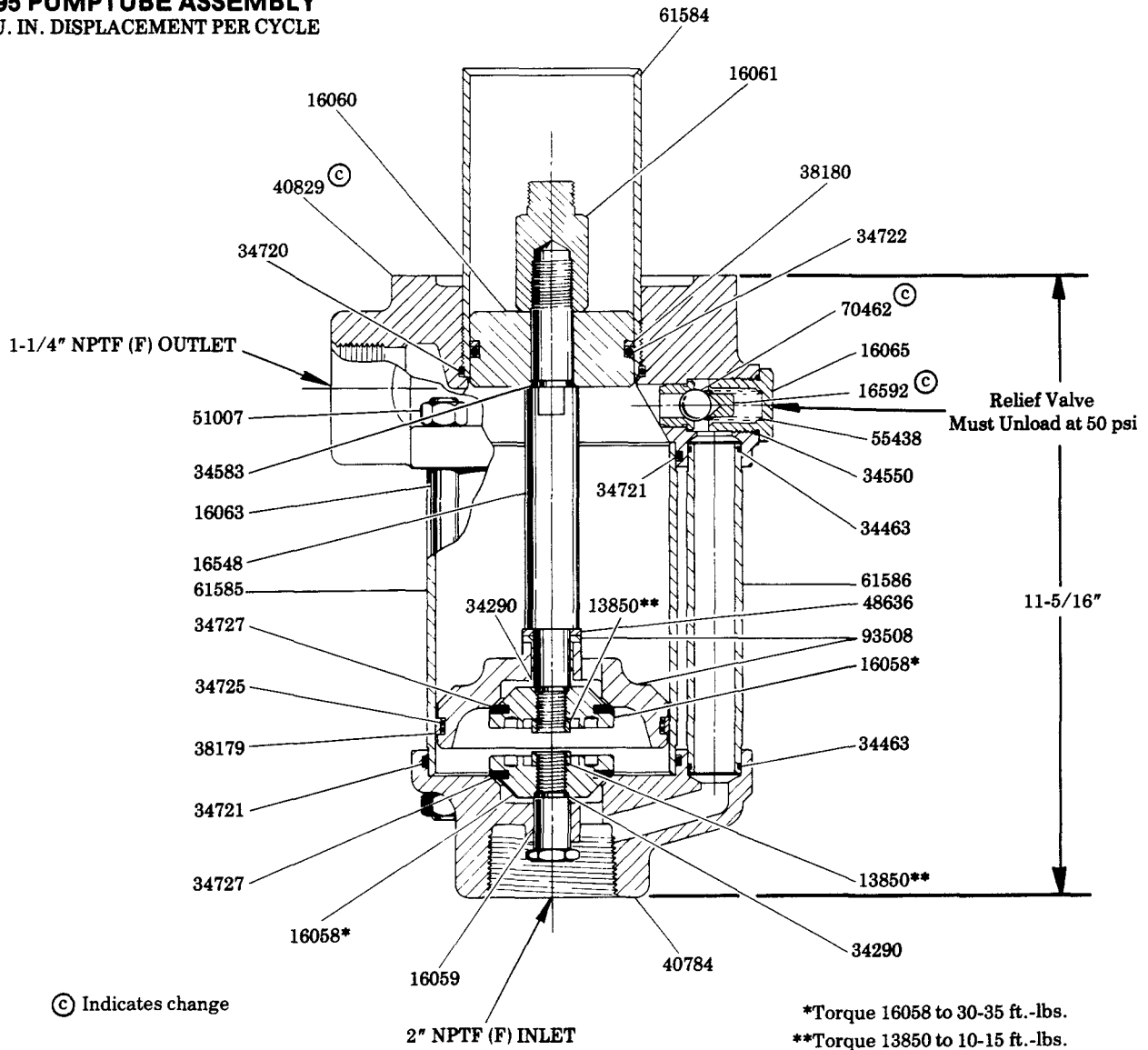
- 1 Tightly connect airmotor coupling nut to the pump plunger.
- 2 Attach airmotor loosely to the pump outlet body flange with the four bolts and nuts (hand tight) supplied with airmotor.
- 3 Slowly cycle the pump several times, using just enough air pressure to operate the pump without stalling.
- 4 Stop the pump on an "up" stroke and tighten the four bolts and nuts to securely fasten the airmotor to the pumptube.

LINCOLN ST. LOUIS
4010 GOODFELLOW BLVD. • ST. LOUIS, MO. 63120 • (314) 679-4200



SECTION - **A50**
PAGE - **44B**

84395 PUMPTUBE ASSEMBLY
64 CU. IN. DISPLACEMENT PER CYCLE



SERVICE PARTS

PART	QUAN.	DESCRIPTION	PART	QUAN.	DESCRIPTION
13850	2	Jam nut	34725	2	O-ring
16058	2	Check	34727	2	Check packing
16059	1	Shoulder bolt	38179	1	Piston ring
16060	1	Gland cyl. piston	38180	1	Back-up ring
16061	1	Adapter	40784	1	Inlet casting
16063	4	Tie rod	40829	1	Outlet casting
16065	1	Check guide	48636	1	Washer
16548	1	Piston rod	51007	8	Nut
16592	1	Spring retainer	55438	1	Spring
34290	2	O-ring	61584	1	Gland cylinder
34463	2	O-ring	61585	1	Cylinder
34550	1	O-ring	61586	1	Transfer tube
34583	1	O-ring	70462	1	Ball
34720	1	O-ring	82895	1	Airmotor
34721	2	O-ring	93508	1	Piston assembly
34722	1	O-ring			

RETAIN THIS INFORMATION FOR FUTURE REFERENCE

When ordering replacement parts, list: Part Number, Description, Model Number, and Series Letter.
LINCOLN ST. LOUIS provides a Distributor Network that stocks equipment and replacement parts.
 A list of Authorized Service Departments will be furnished upon request.