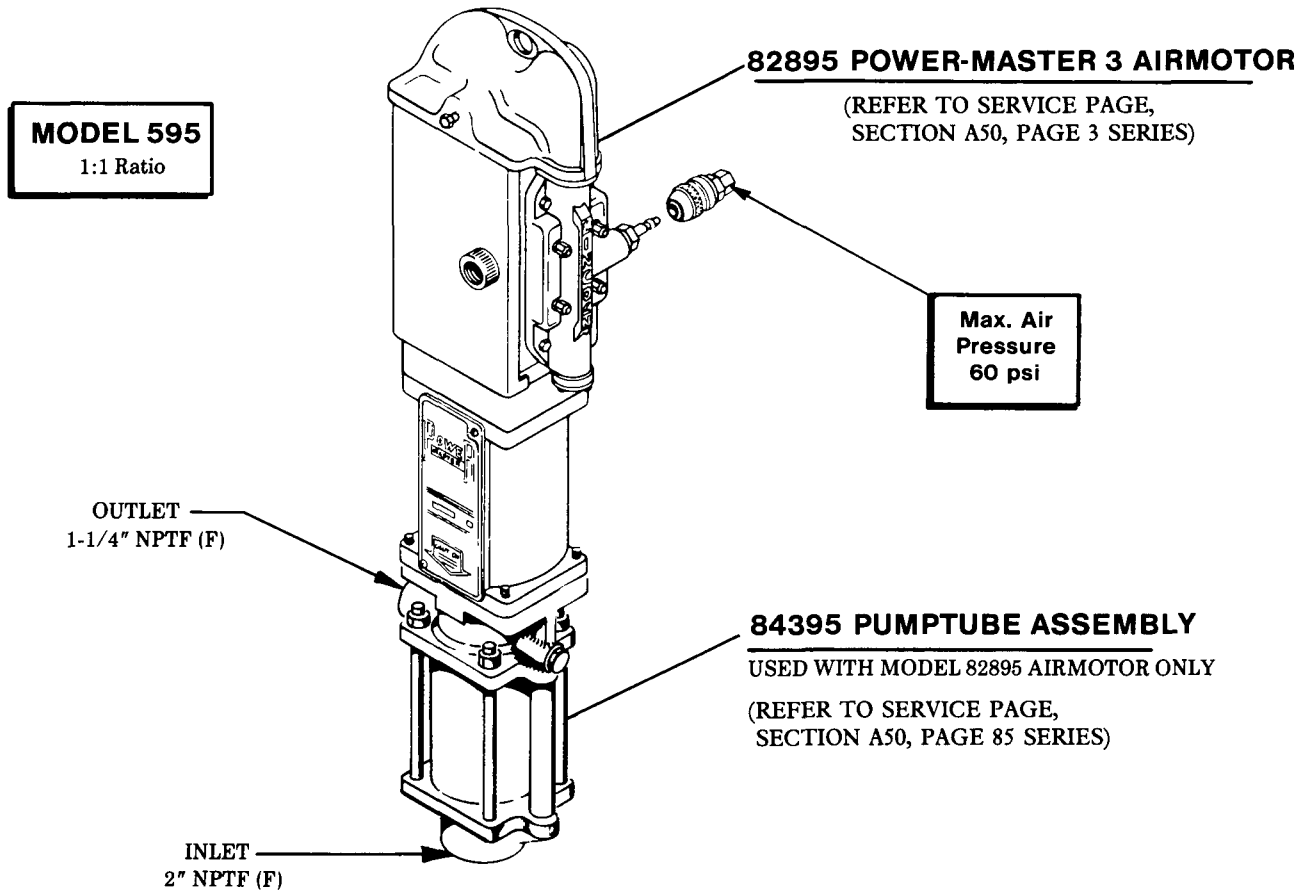


FOR USE WITH FLAMMABLE LIQUIDS
(UL APPROVED)



NOTE:

The UL label can only be applied when Model 595 is built as a complete unit, airmotor and pumptube, and then tested at Lincoln's factory. The UL label will not appear on the 84395 Pumptube when ordered as a replacement part.