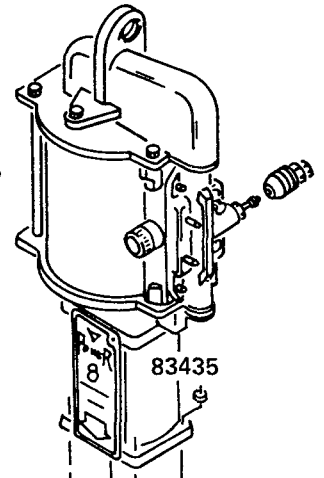
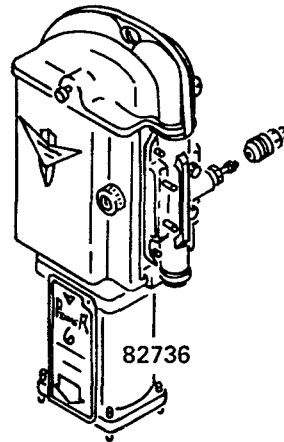
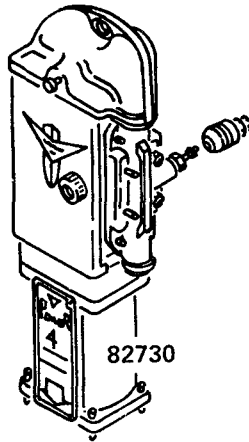
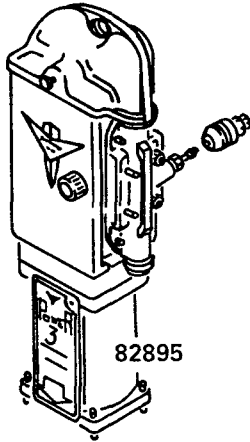
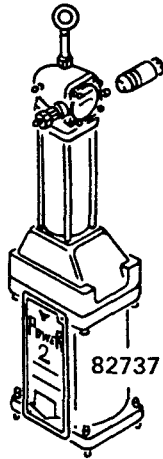


(BALL TYPE FOOT VALVE)

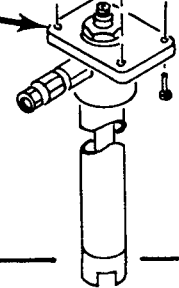
AIRMOTOR MODELS



ATTACHING AIRMOTOR TO PUMPTUBE

- 1- Tightly connect airmotor coupling nut to the pump plunger.
- 2- Attach airmotor to the pump outlet body flange with the four bolts and nuts (hand tight) supplied with airmotor.
- 3- Slowly cycle the pump several times, using just enough air pressure to operate the pump without stalling.
- 4- Stop the pump on an "up" stroke and tighten the four bolts and nuts to securely fasten the airmotor to the pumptube.

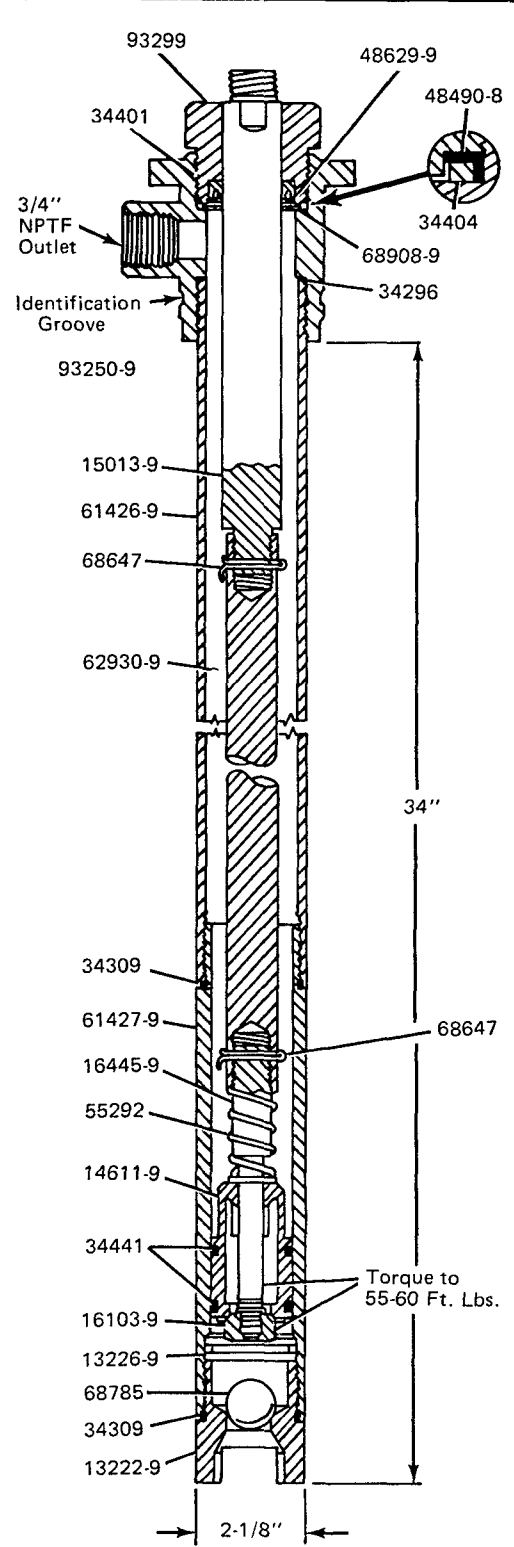
Model Identification Plate



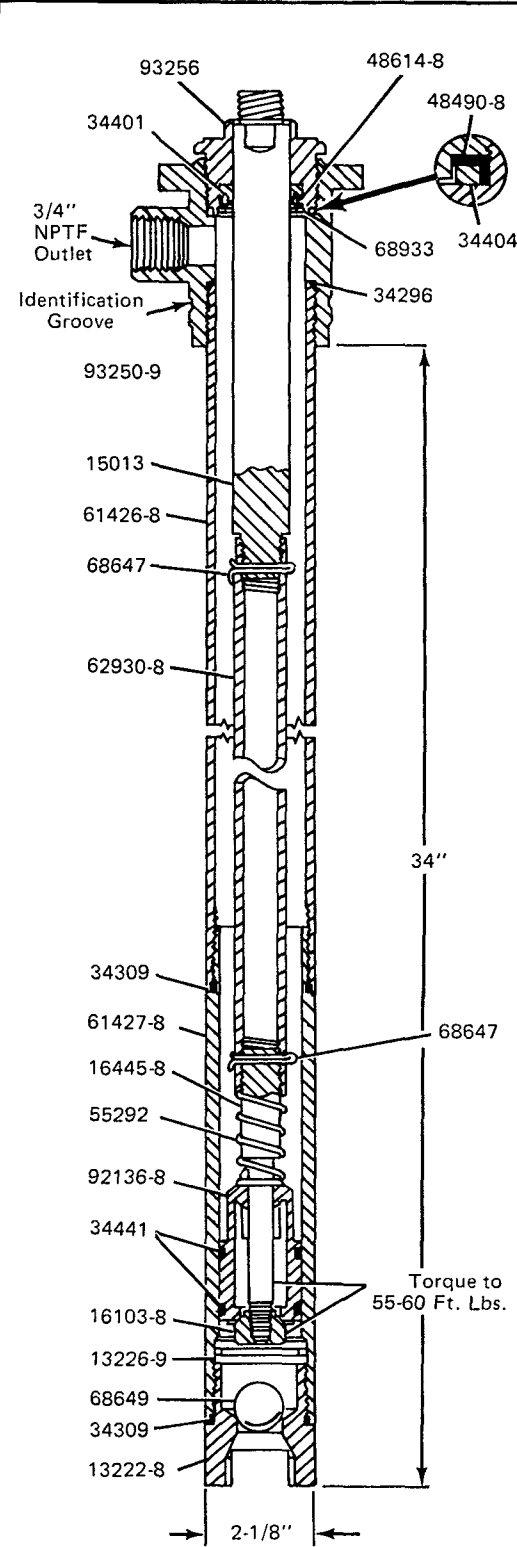
MODEL CHART

(*Size of airmotor used with pumptube determines pump ratio.)

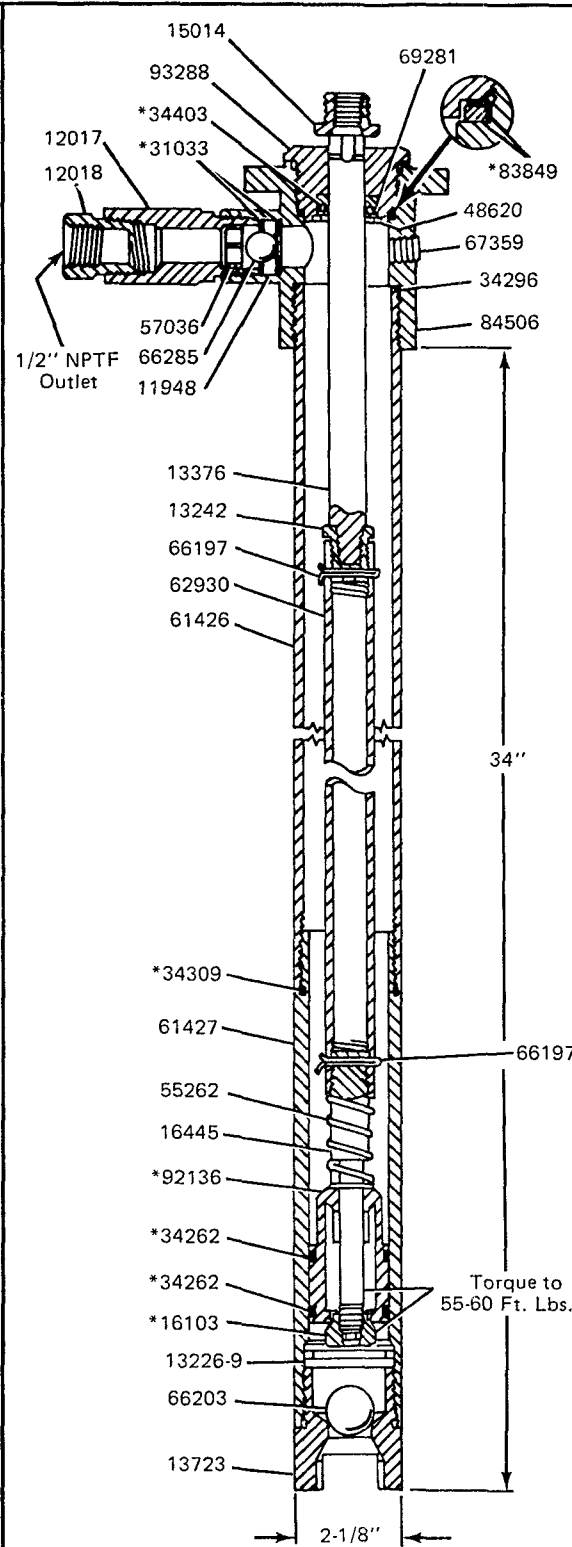
PUMPTUBE	PUMP MODEL	*RATIO	MAXIMUM AIR PRESSURE	AIRMOTOR	AIRMOTOR SERVICE PAGE
82773	1905	12:1	200 psi	82730	A-50 Pg. 3 Series
	1936	4:1	200 psi	82737	A-50 Pg. 1 Series
	1955	6:1	200 psi	82895	A-50 Pg. 3 Series
82790	1901	12:1	200 psi	82730	A-50 Pg. 3 Series
	1921	24:1	100 psi	82736	A-50 Pg. 3 Series
	1931	4:1	200 psi	82737	A-50 Pg. 1 Series
	1952	6:1	200 psi	82895	A-50 Pg. 3 Series
	1961	42:1	100 psi	83435	A-50 Pg. 6 Series
82790-7	1901-7	12:1	200 psi	82730	A-50 Pg. 3 Series
	1921-7	24:1	100 psi	82736	A-50 Pg. 3 Series
	1931-7	4:1	200 psi	82737	A-50 Pg. 1 Series
	1952-7	6:1	200 psi	82895	A-50 Pg. 3 Series
	1961-7	42:1	100 psi	83435	A-50 Pg. 6 Series
82790-8	1901-8	12:1	200 psi	82730	A-50 Pg. 3 Series
	1921-8	24:1	100 psi	82736	A-50 Pg. 3 Series
	1931-8	4:1	200 psi	82737	A-50 Pg. 1 Series
	1952-8	6:1	200 psi	82895	A-50 Pg. 3 Series
	1961-8	42:1	100 psi	83435	A-50 Pg. 6 Series
82790-9	1901-9	12:1	200 psi	82730	A-50 Pg. 3 Series
	1921-9	24:1	100 psi	82736	A-50 Pg. 3 Series
	1931-9	4:1	200 psi	82737	A-50 Pg. 1 Series
	1952-9	6:1	200 psi	82895	A-50 Pg. 3 Series
	1961-9	42:1	100 psi	83435	A-50 Pg. 6 Series
83153	1909	6:1	200 psi	82730	A-50 Pg. 3 Series



**82790-9
STAINLESS STEEL
PUMPTUBE ASSEMBLY**
Series "D"

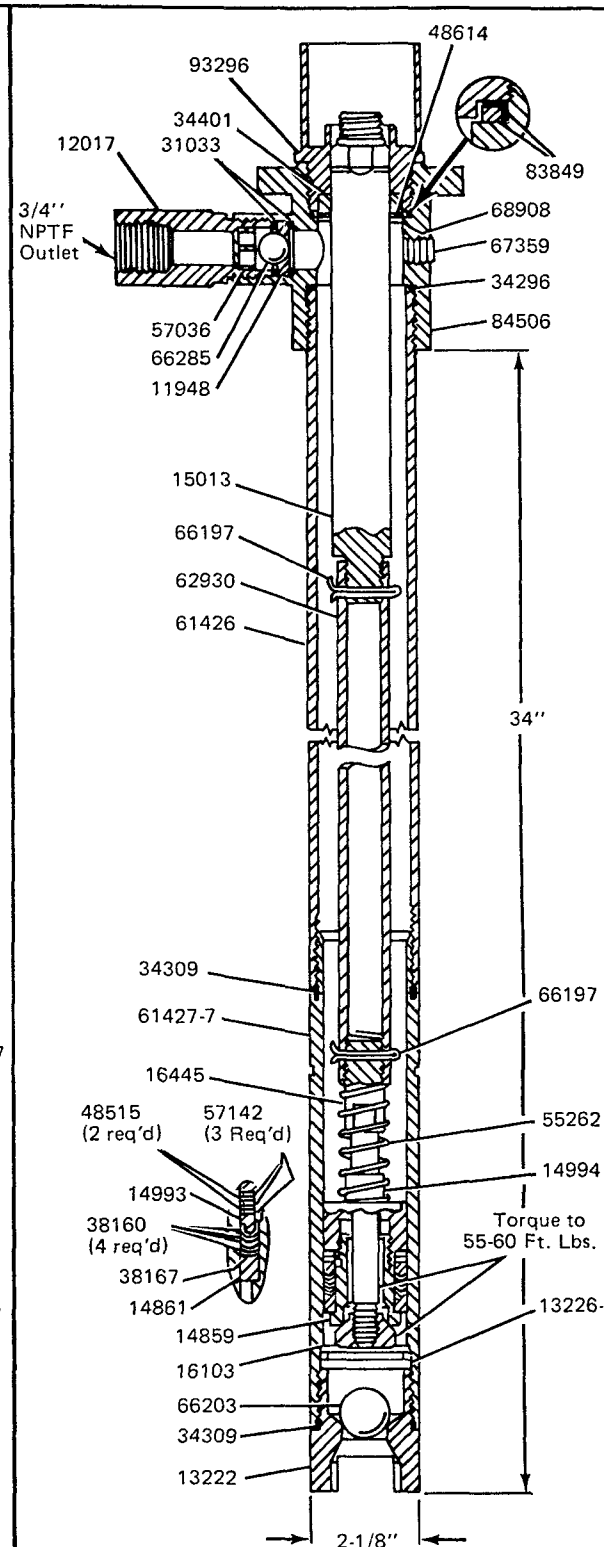


**82790-8
HARD-CHROMED
PUMPTUBE ASSEMBLY**
Series "F"



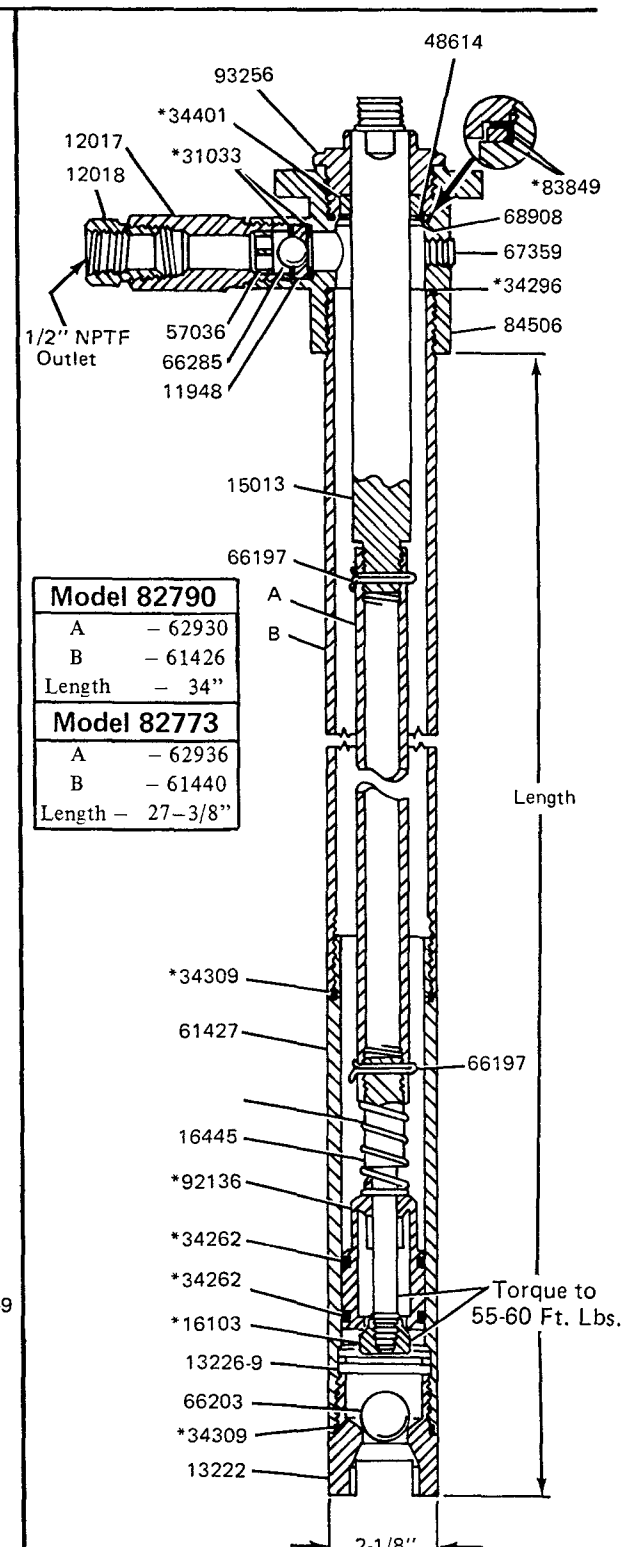
**83153
PUMPTUBE ASSEMBLY**
Series "J" Single Action

83029 REPAIR KIT
(Consists of parts indicated with*)



**82790-7
PUMPTUBE ASSEMBLY**
Series "E"

NOTE: Remove 12018 Bushing to obtain a 3/4" NPTF outlet on Models 82773, 82790, & 83153.



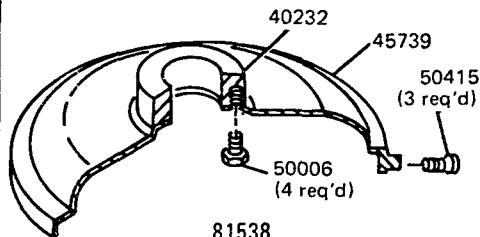
PUMPTUBE ASSEMBLY
82790 } Series "J"
82773 }

CONVERSION KITS
82920 Lap Fit Gland Kit
83883 Teflon Packing Kit
93296 Reservoir Gland Nut

83022 REPAIR KIT
(Consists of parts indicated with*)

INTERCHANGE CHART
USED ON MODELS 82790, -8, -9 & 82773

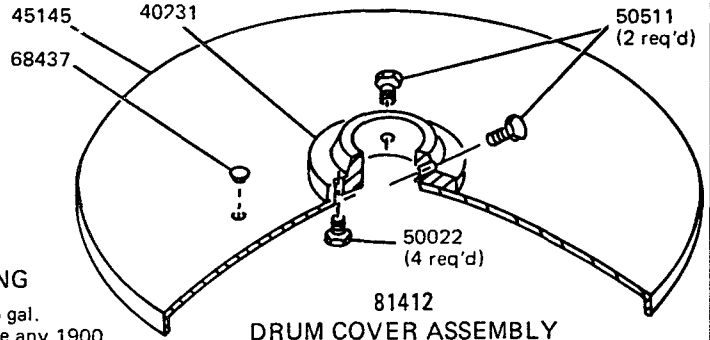
ORIGINAL PACKINGS	34296 Buna-N O-ring	34309 Buna-N O-ring	34401 Polyurethane U-cup	34404 Buna-N Packing	34441 Polyurethane O-ring	83849 Packing & Retainer
84489 VITON PACKING REPLACEMENT KIT	34779	34777	34780	34778	34776	34778 48490-8



81538
DRUM COVER ASSEMBLY
For 16 gal. (120 lb.) drum.



83132
BUNG BUSHING
Fits bung opening of 55 gal. (400 lb.) drum, to secure any 1900 Series Power-Master pump.



81412
DRUM COVER ASSEMBLY
For 55 gal. (400 lb.) drum.

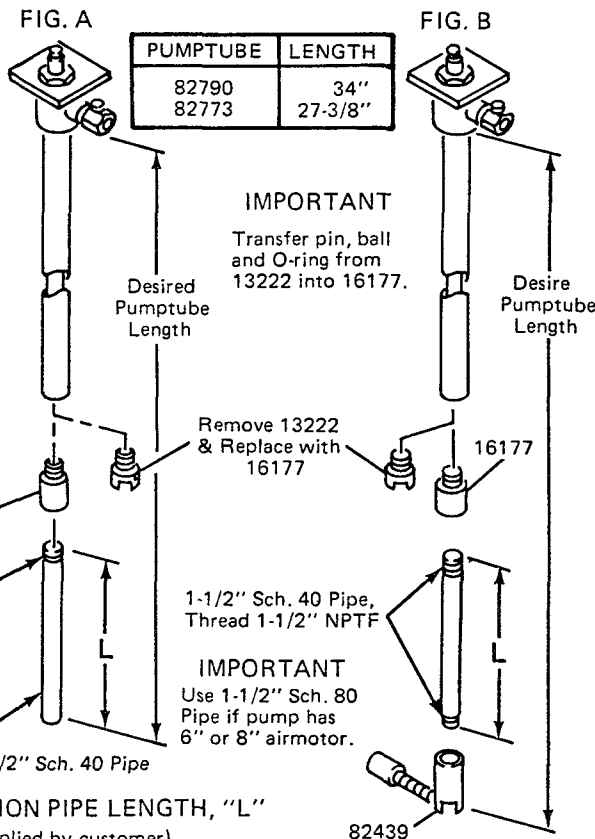
ACCESSORIES

Must be ordered separately.

SPECIAL LENGTH PUMPTUBES

Use a standard pumptube, a 16177 Foot Valve Adapter and a length of 1-1/2" pipe.
NOTE: Use Teflon tape or pipe joint sealant on pipe threads.

SERVICE PARTS



IMPORTANT

Transfer pin, ball and O-ring from 13222 into 16177.

IMPORTANT

Use 1-1/2" Sch. 80 Pipe if pump has 6" or 8" airmotor.

EXTENSION PIPE LENGTH, "L"

(Pipe supplied by customer)

FIG. A

To determine the extension pipe length, L, subtract the standard pumptube length from desired pumptube length.

Desired Pumptide Length,	60"
82790 Pumptide Length,	-34"
Extension Pipe Length,	26"

FIG. B

When using 82439 Low-Level Cut-Off, subtract the standard pumptube length and an additional 4" from the desired pumptube length.

Desired Pumptide Length,	60"
82790 Pumptide Length,	-34"
Allowance for 82439,	-4"
Extension Pipe Length,	22"

PART	DESCRIPTION	PART	DESCRIPTION
11948	Check seat	61426-9	Pump tube
12017	Body	61427	Bushing tube
12018	Bushing	61427-7	Bushing tube
13222	Foot valve body	61427-8	Bushing tube
13222-8	Foot valve body	61427-9	Bushing tube
13222-9	Foot valve body	61440	Pump tube
13226-9	Ball retaining pin	62930	Rod
13242	Adapter	62930-8	Rod
13376	Plunger	62930-9	Rod
13723	Foot valve body	62936	Rod
14611-9	Pump piston	66197	Cotter pin
14859	Piston nut	66203	Ball
14861	Adapter (female)	66285	Ball
14993	Adapter (male)	67359	Pipe plug
14994	Piston rod guide	68437	Snap button
15013	Plunger	68647	Cotter pin
15013-9	Plunger	68649	Ball
15014	Adapter	68785	Ball
16103	Piston check	68908	Retaining ring
16103-8	Piston check	68908-9	Retaining ring
16103-9	Piston check	68933	Retaining ring
16445	Piston rod	69281	Retaining ring
16445-8	Piston rod	83849	Packing & retainer
16445-9	Piston rod	84506	Outlet body
31033	Gasket	92136	Pump piston
34262	O-ring (Buna-N)	92136-8	Pump piston
34296	O-ring (Buna-N)	93250-9	Outlet body
34309	O-ring (Buna-N)	93256	Gland nut
34401	U-cup packing	93288	Gland nut
34403	U-cup packing	93296	Gland nut
34404	Packing	93299	Gland nut
34441	O-ring (Polyurethane)		
38160	V-packing (Leather)		
38167	V-packing (Teflon)		
40231	Flange		
40232	Flange		
45145	Drum cover		
45739	Drum cover assembly		
48490-8	Retainer		
48515	Washer		
48614	Washer		
48614-8	Washer		
48620	Washer		
48629-9	Washer		
50006	Screw		
50022	Screw		
50415	Screw		
50511	Screw		
55262	Spring		
55292	Spring		
57036	Ball stop		
57142	Wave washer		
61426	Pump tube		
61426-8	Pump tube		

To conform to the standards of the National Conference of Weights and Measures, Power-Master pumptubes required a low-level cut-off when dispensing oil through metering devices.

RETAIN THIS INFORMATION FOR FUTURE REFERENCE

When ordering replacement parts, list: Part Number, Description, Model Number and Series Letter. Lincoln provides a Distributor Network that stocks equipment and replacement parts. A list of Authorized Service Departments will be furnished upon request.