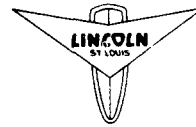
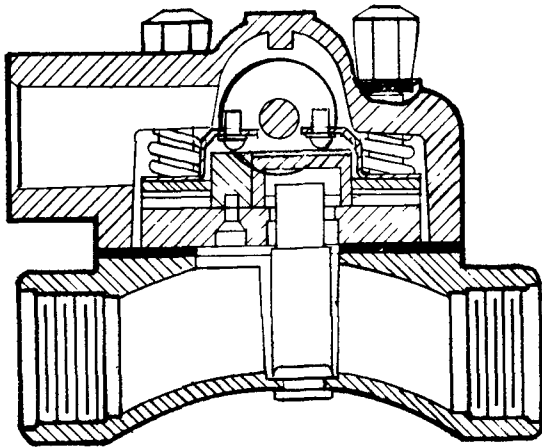


AIR VALVE ANTI-ICER KIT

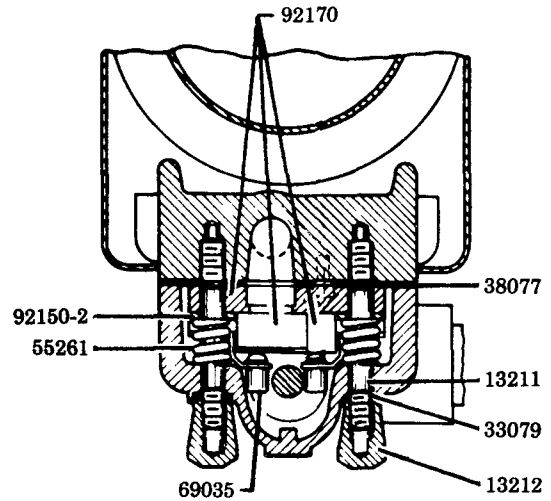
ACCESSORY FOR POWER-MASTER 3" 4" 6" & 8"
AIRMOTORS



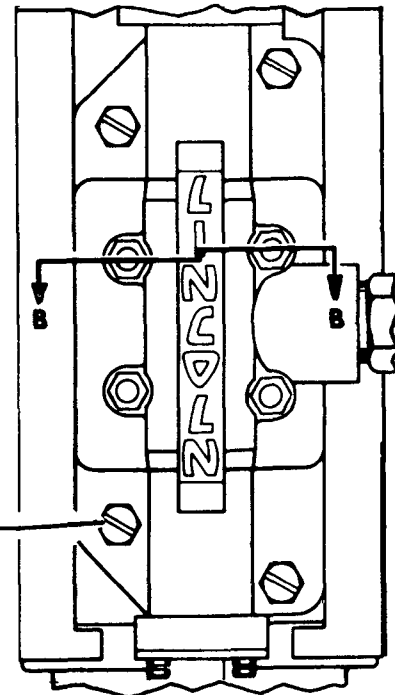
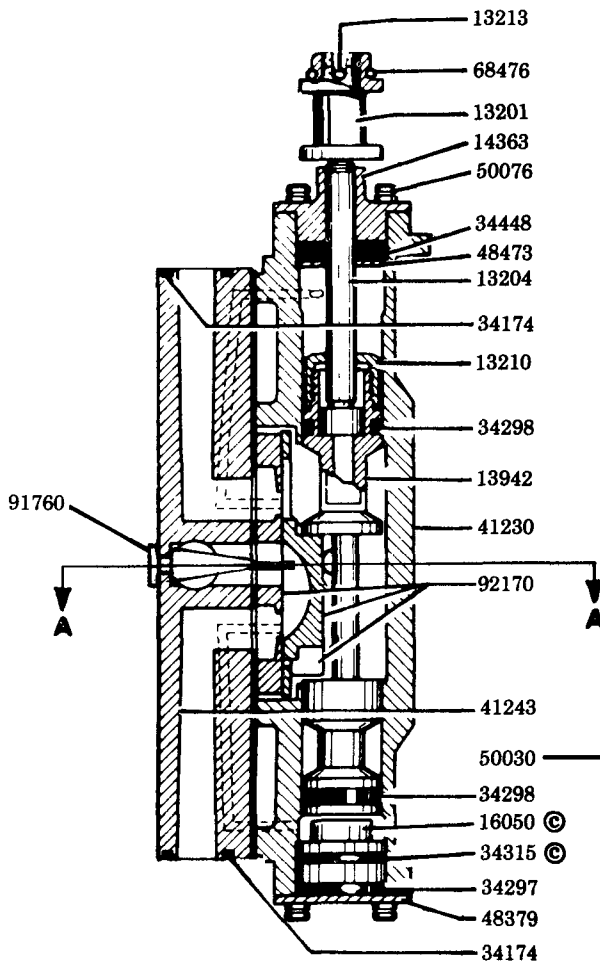
Model 83292



SECTION A-A



SECTION B-B



© Indicates Change

LINCOLN ST. LOUIS
4010 GOODFELLOW BLVD · ST. LOUIS, MO 63120 · (314) 383-5900



SECTION **-A50**
PAGE **-5B**

SERVICE PARTS

QUAN.	PART NO.	DESCRIPTION
1	13201	Trip rod collar
1	13204	Trip rod
1	13210	Trip rod stop
4	13211	Stud
4	13212	Acorn nut
1	13213	Pin
1	13942	Valve actuator
1	14363	Trip rod guide
1	16050	Spacer
4	33079	Gasket
2	34174	O-ring
1	34297	Packing
2	34298	Packing
1	34315	O-ring
1	34448	Packing
1	38077	Valve gasket
1	41230	Valve body
1	41243	Support
1	48379	Washer
1	48473	Washer
4	50030	Screw
8	50076	Screw
4	55261	Valve seat spring
1	68476	Retaining ring
2	69035	Catch
1	91760	Reed
1	92150-2	Guide bracket
1	92170	Valves & seat

RETAIN THIS INFORMATION FOR FUTURE REFERENCE

When ordering replacement parts, list: Part Number, Description, Model Number, and Series Letter.
LINCOLN ST. LOUIS provides a Distributor Network that stocks equipment and replacement parts.
 A list of Authorized Service Departments will be furnished upon request.