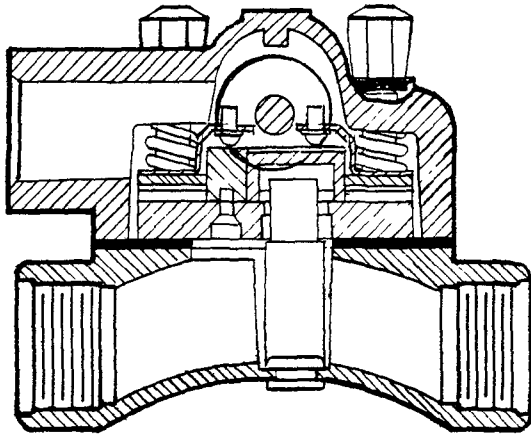
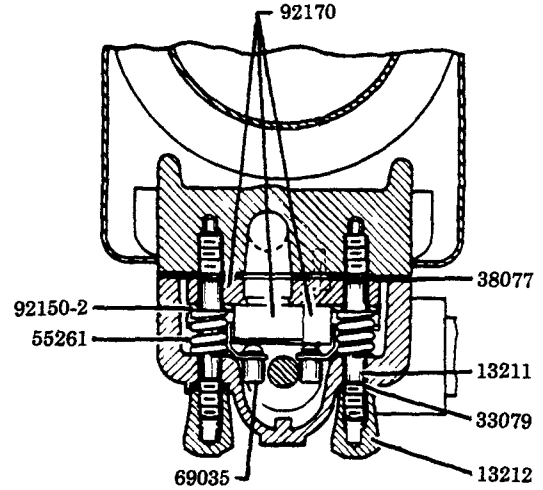


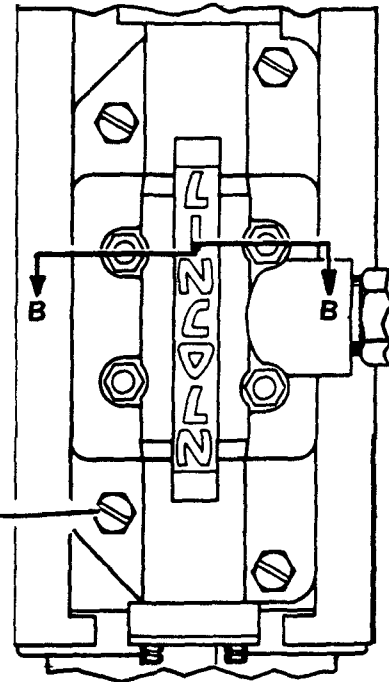
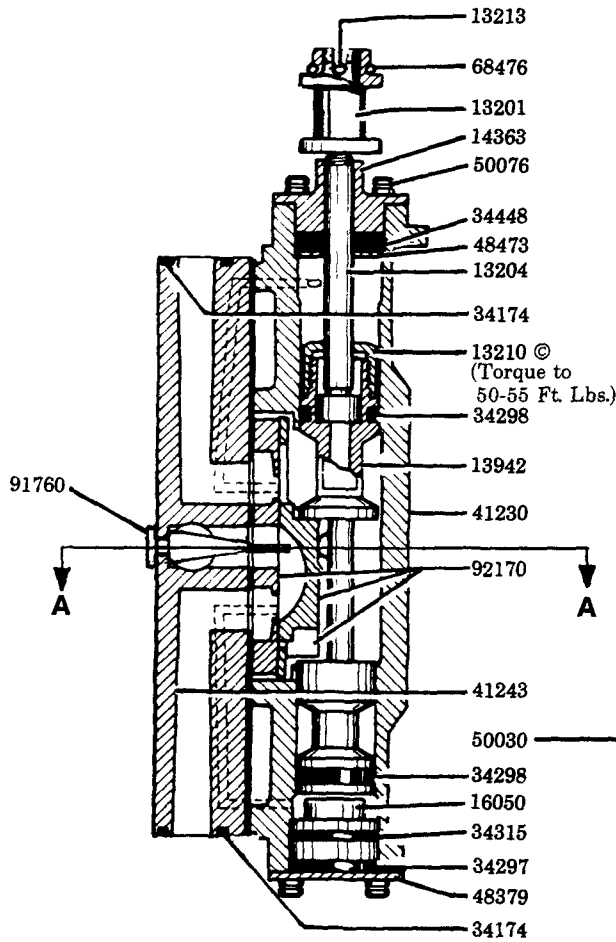
ACCESSORY FOR POWER-MASTER
3", 4", 6" & 8" AIRMOTORS



SECTION A-A



SECTION B-B



© Indicates Change

SERVICE PARTS

Qty.	Part	Description
1	13201	Trip rod collar
1	13204	Trip rod
1	13210	Trip rod stop
4	13211	Stud
4	13212	Acorn nut
1	13213	Pin
1	13942	Valve actuator
1	14363	Trip rod guide
1	16050	Spacer
4	33079	Gasket
2	34174	O-ring
1	34297	Packing
2	34298	Packing
1	34315	O-ring
1	34448	Packing
1	38077	Valve gasket
1	41230	Valve body
1	41243	Support
1	48379	Washer
1	48473	Washer
4	50030	Screw
8	50076	Screw
4	55261	Valve seat spring
1	68476	Retaining ring
2	69035	Catch
1	91760	Reed
1	92150-2	Guide bracket
1	92170	Valves & seat

RETAIN THIS INFORMATION FOR FUTURE REFERENCE

When ordering replacement parts, list: Part Number, Description, Model Number, and Series Letter.

LINCOLN provides a Distributor Network that stocks equipment and replacement parts.