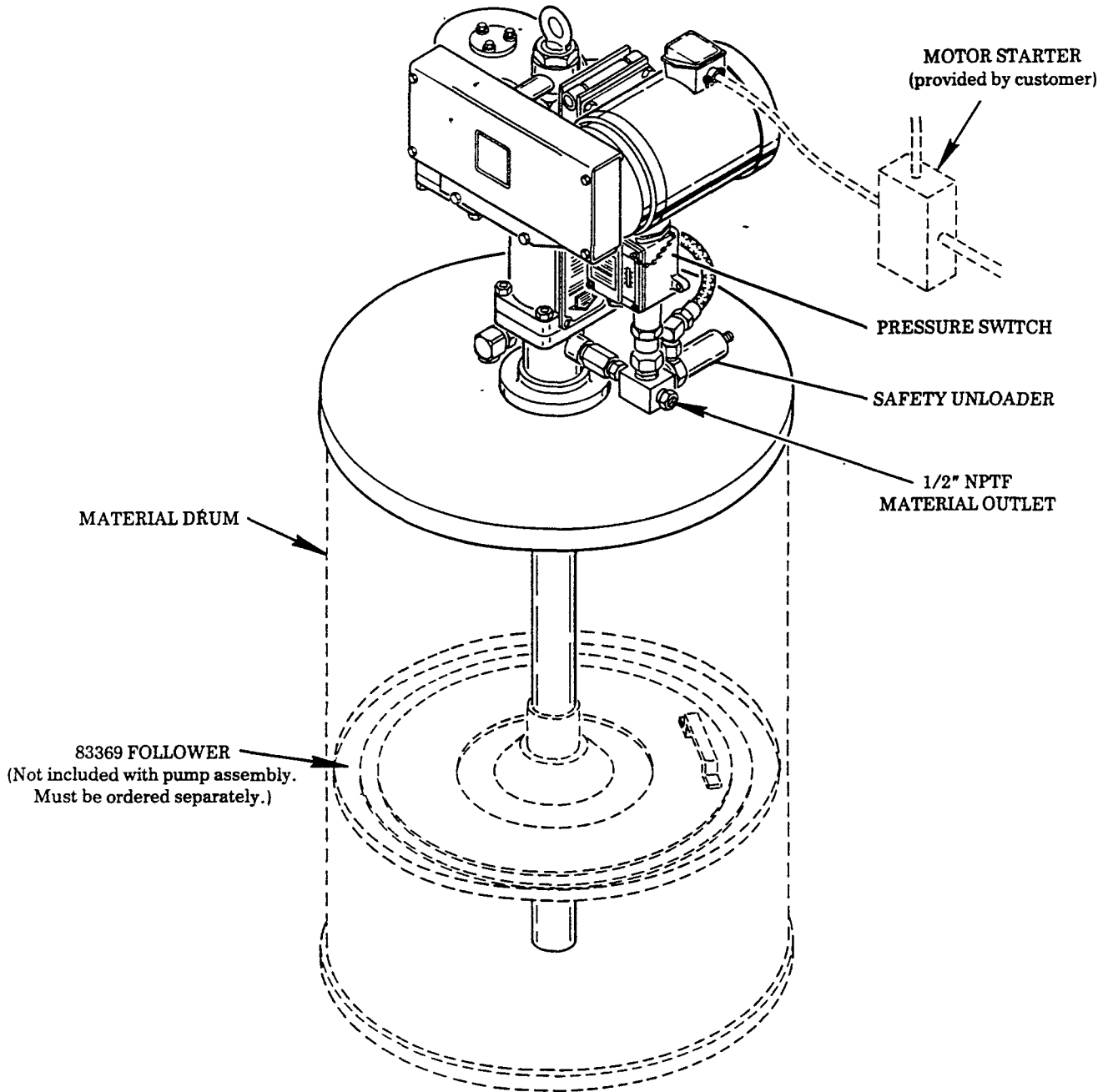


ELECTRIC MOTOR OPERATED
400 LB. DRUM SIZE

MATERIALS DISPENSING DRUM PUMP

FAX COPY



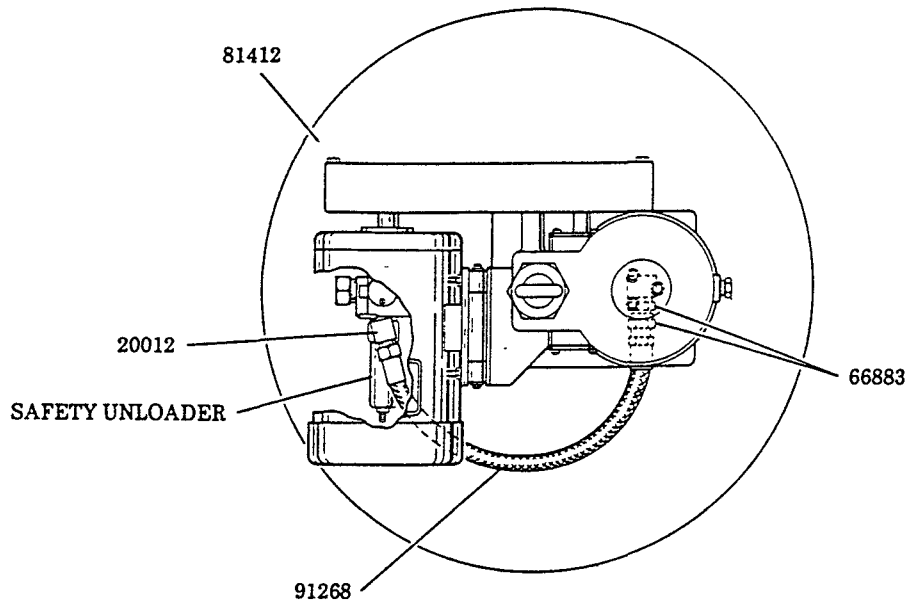
LINCOLN

LINCOLN, One Lincoln Way
St. Louis, Missouri 63120-1578
(314) 679-4200 Customer Service, (314) 679-4300

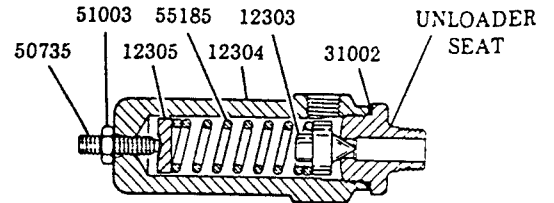
SECTION - A50

PAGE - 61

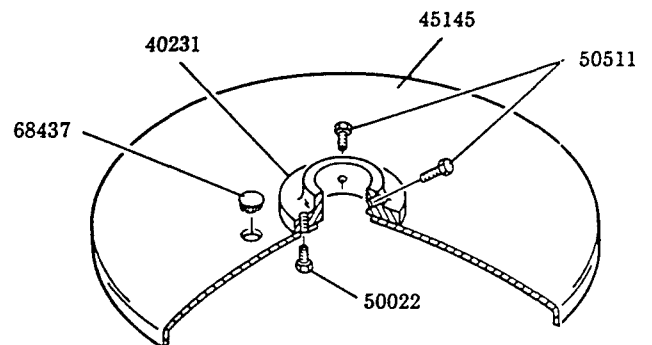
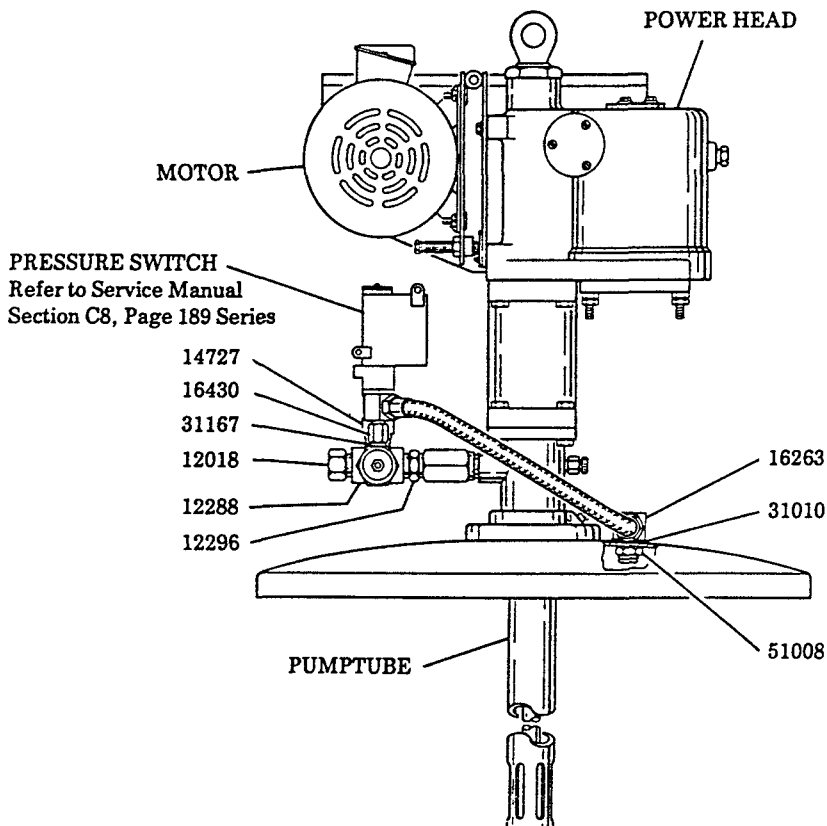
ELECTRIC PUMP ASSEMBLY



SAFETY UNLOADER



SAFETY UNLOADER	UNLOADER SEAT	PRESSURE SETTING
82009	12302	4000-5000 psi
82021	12308	1400-1600 psi
84389	16292	3000-3500 psi
84565	12302	6000-6500 psi



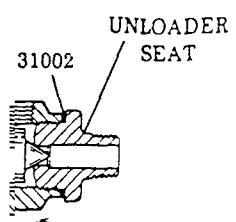
81412 DRUM COVER

Pump Assembly	Power Head	Motor	Voltage	Pumptube	Pumptube Service Page	*Output Per Cycle	Max. Operating Pressure	Pres Swi
84552	84549	323088	230/460 V., 60 Hz., 3 Phase	82790	A-50, Pg. 51 Series	3.78 cu. in.	1200 psi	70
84553	84549	323088	230/460 V., 60 Hz., 3 Phase	82791	A-50, Pg. 50 Series	2.10 cu. in.	2500 psi	70
84554	84549	323088	230/460 V., 60 Hz., 3 Phase	82792	A-50, Pg. 50 Series	1.12 cu. in.	4000 psi	70
84555	84549	323088	230/460 V., 60 Hz., 3 Phase	82793	A-50, Pg. 50 Series	.67 cu. in.	6000 psi	70
84555A	84549	323089	115/230 V., 60 Hz., Single Phase	82793	A-50, Pg. 50 Series	.67 cu. in.	6000 psi	70

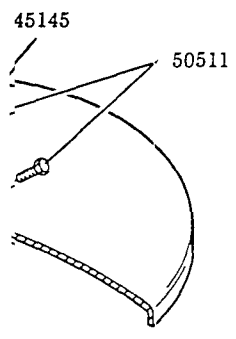
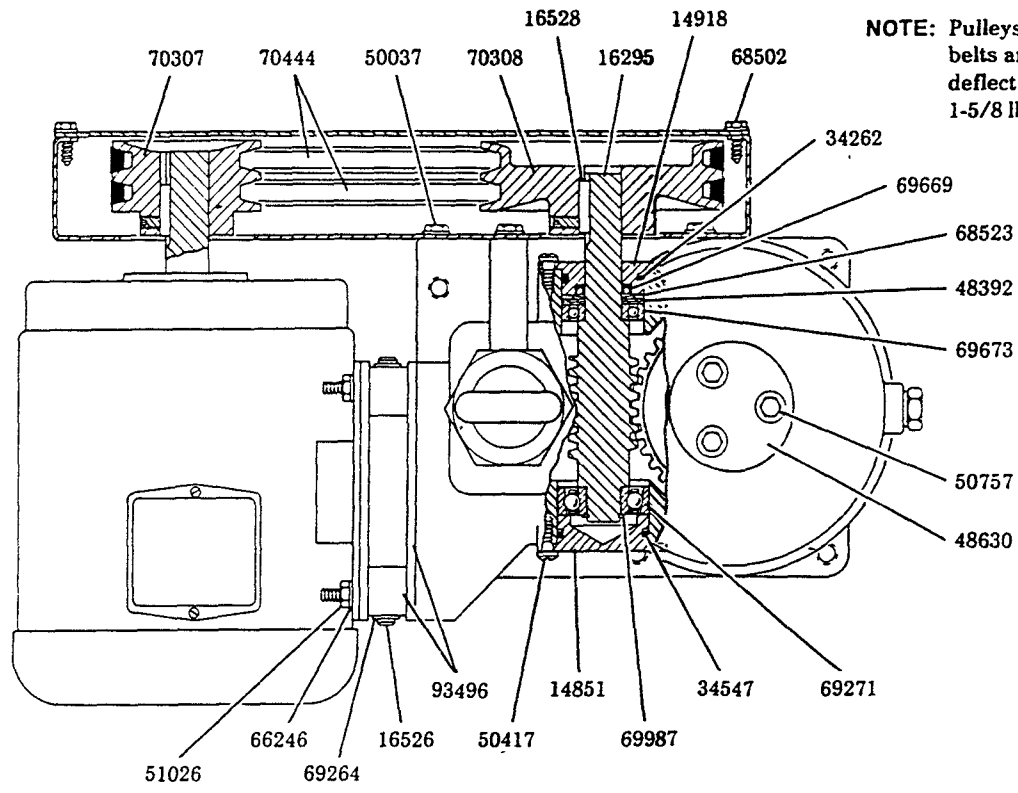
*Pump cycles constantly at approximately 52 cycles per minute.

NOTE: Pulleys must align to assure belts are straight. Belts must deflect 1/8 inch with 1-1/8 to 1-5/8 lbs. force.

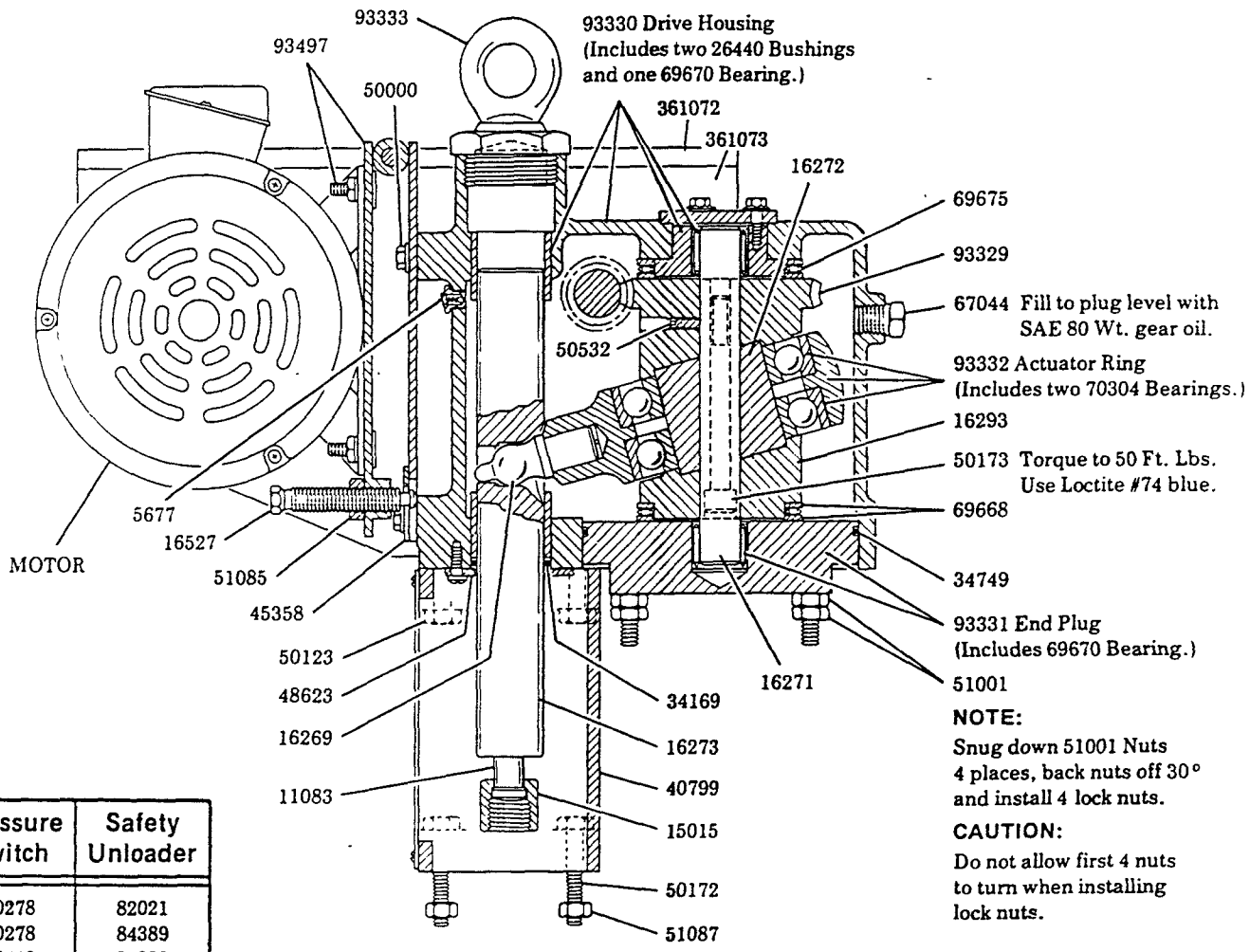
ADER



PRESSURE SETTING	
4000-5000 psi	
1400-1600 psi	
3000-3500 psi	
6000-6500 psi	



VER

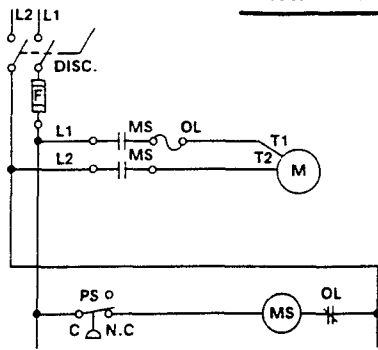


Max. Operating Pressure	Pressure Switch	Safety Unloader
1200 psi	70278	82021
2500 psi	70278	84389
4000 psi	70419	82009
6000 psi	70419	84565
6000 psi	70419	84565

84549 POWER HEAD

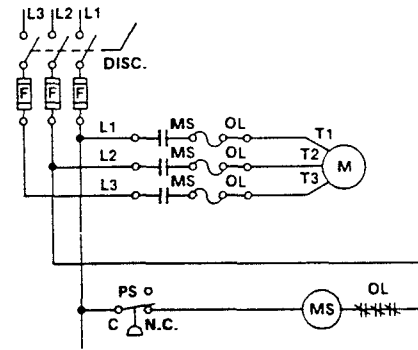
(Does not include motor.)

115/230 V., 60 Hz
Single Phase



WIRING DIAGRAMS

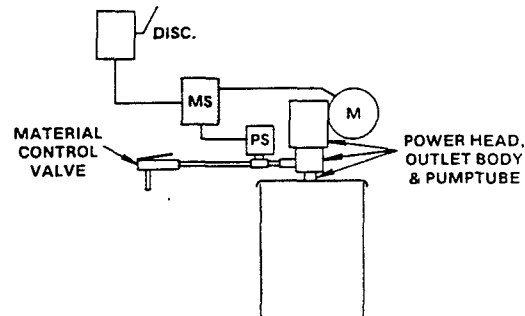
230/460 V
60 Hz., 3 Phase



CODE	PART	DESCRIPTION
PS	*	PRESSURE SWITCH
M	*	1-1/2 HP MOTOR
MS	**	MOTOR STARTER
DISC.	**	DISCONNECT SWITCH
F	**	FUSE
OL	**	MOTOR OVERLOAD RELAY

*See Model Chart
**Supplied by Customer

TYPICAL INSTALLATION



SERVICE PARTS

PART	QUAN.	DESCRIPTION	PART	QUAN.	DESCRIPTION	PART	QUAN.	DESCRIPTION
5677	1	Relief fitting	34262	1	O-ring	66883	1	Union
11083	1	Coupling stud	34547	1	O-ring	67044	1	Pipe plug
12018	1	Adapter	34749	1	O-ring	68437	1	Snap button
12288	1	Adapter block	40231	1	Flange	68502	4	Screw
12296	1	Nipple	40799	1	Support casting	68523	1	Washer
12303	1	Unloader check	45145	1	Drum cover	69624	2	Retaining ring
12304	1	Unloader body	45358	1	Retainer strap	69271	1	Bearing
12305	1	Slug	48392	3	Washer	69668	4	Thrust race
14727	1	Nipple	48623	1	Oil seal	69669	1	Oil seal
14851	1	Retainer	48630	1	End cap	69670	2	Needle bearing
14918	1	Oil seal retainer	50000	4	Screw	69673	1	Ball bearing
15015	1	Coupling nut	50022	4	Screw	69675	2	Needle thrust bearing
16263	1	Elbow	50037	3	Screw	69987	1	Retaining ring
16269	1	Ball pin	50123	4	Screw	70304	2	Angular contact bearing
16271	1	Shaft	50172	4	Screw	70307	1	Sheave
16272	1	Shaft	50173	2	Screw	70308	1	Sheave
16273	1	Actuator rod	50417	9	Screw	70444	1	Vee belts (set of 2)
16293	1	Wobble plate	50511	2	Set screw	81412	1	Drum cover assembly
16295	1	Worm shaft	50532	1	Screw	91268	1	Hose
16430	1	Adapter	50735	1	Set screw	93329	1	Worm gear & wobble plate
16526	1	Guide pin	50757	3	Bolt	93330	1	Drive housing
16527	1	Adjusting screw	51001	8	Jam nut	93331	1	End plug & bearing
16528	1	Square key	51003	1	Jam nut	93332	1	Actuator ring & bearing
20012	1	Elbow	51008	1	Nut	93333	1	Pad eye & cover nut
26440	2	Bushing	51026	4	Nut	93496	1	Motor mount weldment
31002	1	Gasket	51085	1	Nut	93497	1	Motor mount weldment
31010	1	Gasket	51087	4	Lock nut	361072	1	Pulley guard
31167	1	Washer	55185	1	Unloader spring	361073	1	Pulley guard bracket
34169	1	O-ring	66246	8	Lockwasher			

RETAIN THIS INFORMATION FOR FUTURE REFERENCE

When ordering replacement parts, list: Part Number, Description, Model Number, and Series Letter.

LINCOLN ST. LOUIS provides a Distributor Network that stocks equipment and replacement parts.

A list of Authorized Service Departments will be furnished upon request.