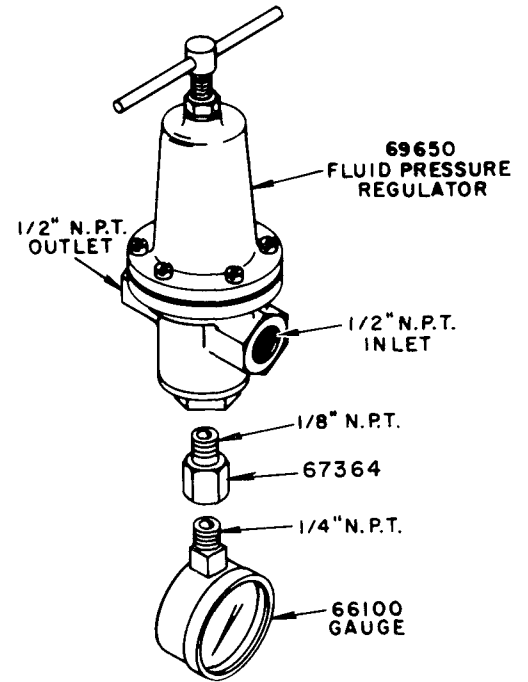
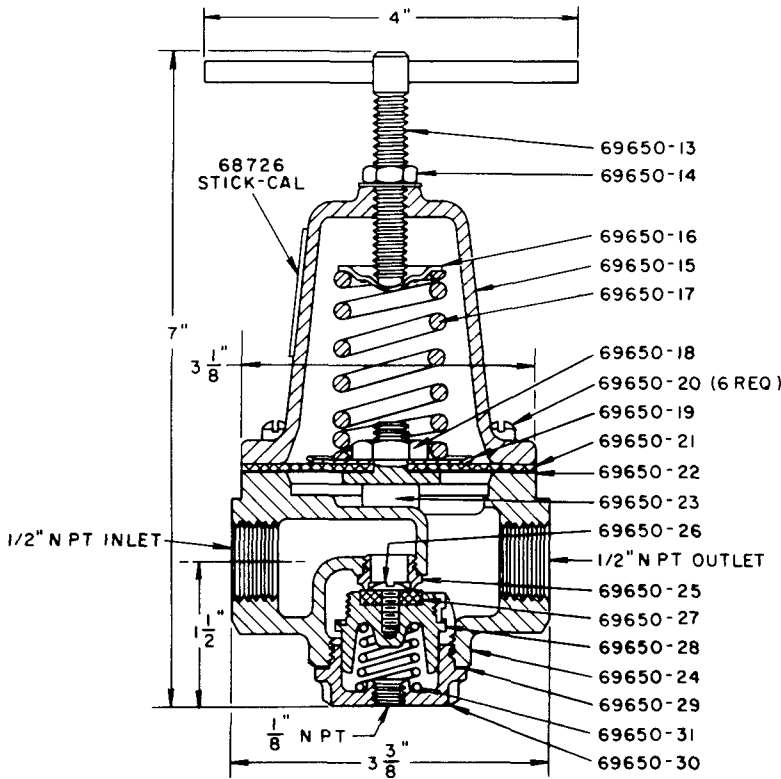


# FLUID PRESSURE REGULATOR AND FLUID RELIEF VALVE



## Models 84085 84086

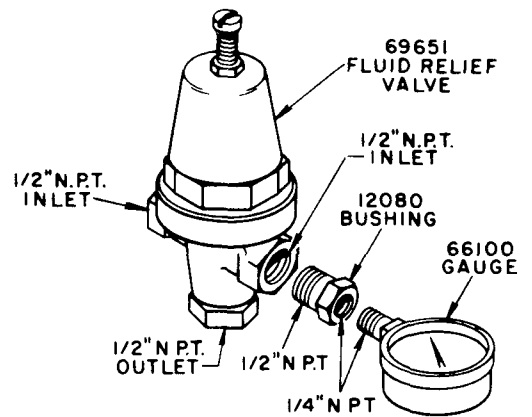
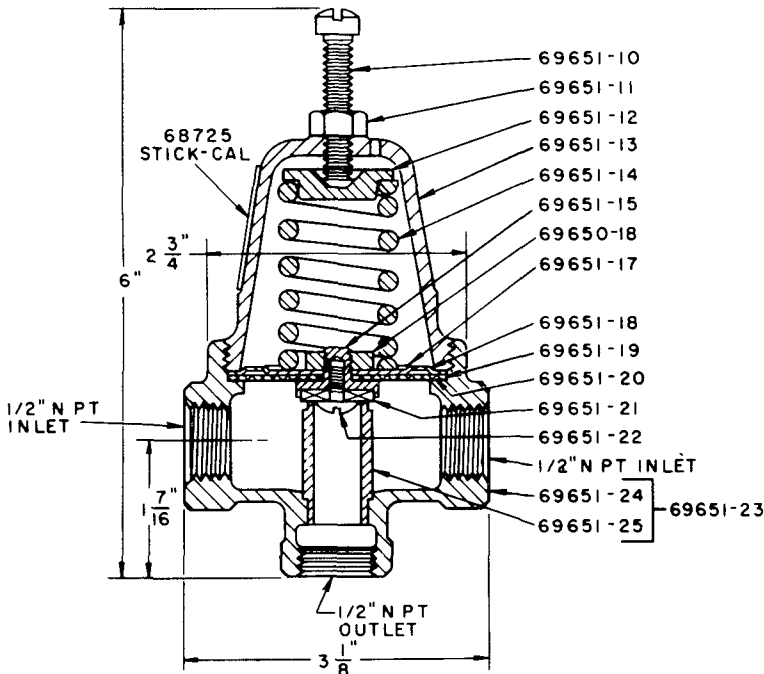
**MODEL 84085  
FLUID PRESSURE REGULATOR**



MAXIMUM WORKING PRESSURE 300 PSIG

\*SECONDARY PRESSURE SETTING -  
0-40 PSIG WITH PISTON SPRING  
20-70 PSIG WITHOUT PISTON SPRING

**MODEL 84086  
FLUID RELIEF VALVE**



MAXIMUM WORKING PRESSURE 250 PSIG

RELIEF PRESSURE SETTING 0-125 PSIG

**LINCOLN ST. LOUIS**  
4010 GOODFELLOW BLVD. - ST. LOUIS, MO 63120 - (314) 383 5900



A DIVISION OF  
**McNEIL**  
CORPORATION

SECTION - **A52**  
PAGE - **4A**

## REPAIR PARTS LIST

Part No.	Description	Part No.	Description
12080	1/2" x 1/4" N.P.T. Pipe Bushing	69650-27	Composition Seat (Teflon)
66100	Pressure Gauge	69650-28	Piston
67364	1/4" x 1/8" N.P.T. Adapter	69650-29	Bottom Plug Gasket
68725	Stick-Cal	69650-30	Bottom Plug
68726	Stick-Cal	69650-31	Piston Spring
69650	Fluid Pressure Regulator	69651-10	Pressure Screw
69651	Fluid Relief Valve	69651-11	Locknut
69650-13	Pressure Screw	69651-12	Spring Button
69650-14	Locknut	69651-13	Spring Chamber
69650-15	Spring Chamber	69651-14	Pressure Spring
69650-16	Spring Button	69651-15	Seat Shell
69650-17	Pressure Spring	69651-17	Pressure Plate
69650-18	Stem Nut	69651-18	Diaphragm Gasket
69650-19	Pressure Plate	69651-19	Diaphragm
69650-20	Assembly Screw	69651-20	Diaphragm Liner (Teflon)
69650-21	Diaphragm	69651-21	Composition Seat (Teflon)
69650-22	Diaphragm Liner (Teflon)	69651-22	Seat Screw
69650-23	Yoke	69651-23	Body Assembly
69650-24	Body	69651-24	Body
69650-25	Body Seat	69651-25	Chrome Plated Seat
69650-26	Seat Washer Screw		

**RETAIN THIS INFORMATION FOR FUTURE REFERENCE**

When ordering Replacement Parts, List Part Numbers, Descriptions, Model Number, & Series Letter.  
 LINCOLN ST. LOUIS – Provides a Distributor network that stocks equipment and replacement parts.

Repairs by Authorized Service Depts. List furnished upon request.