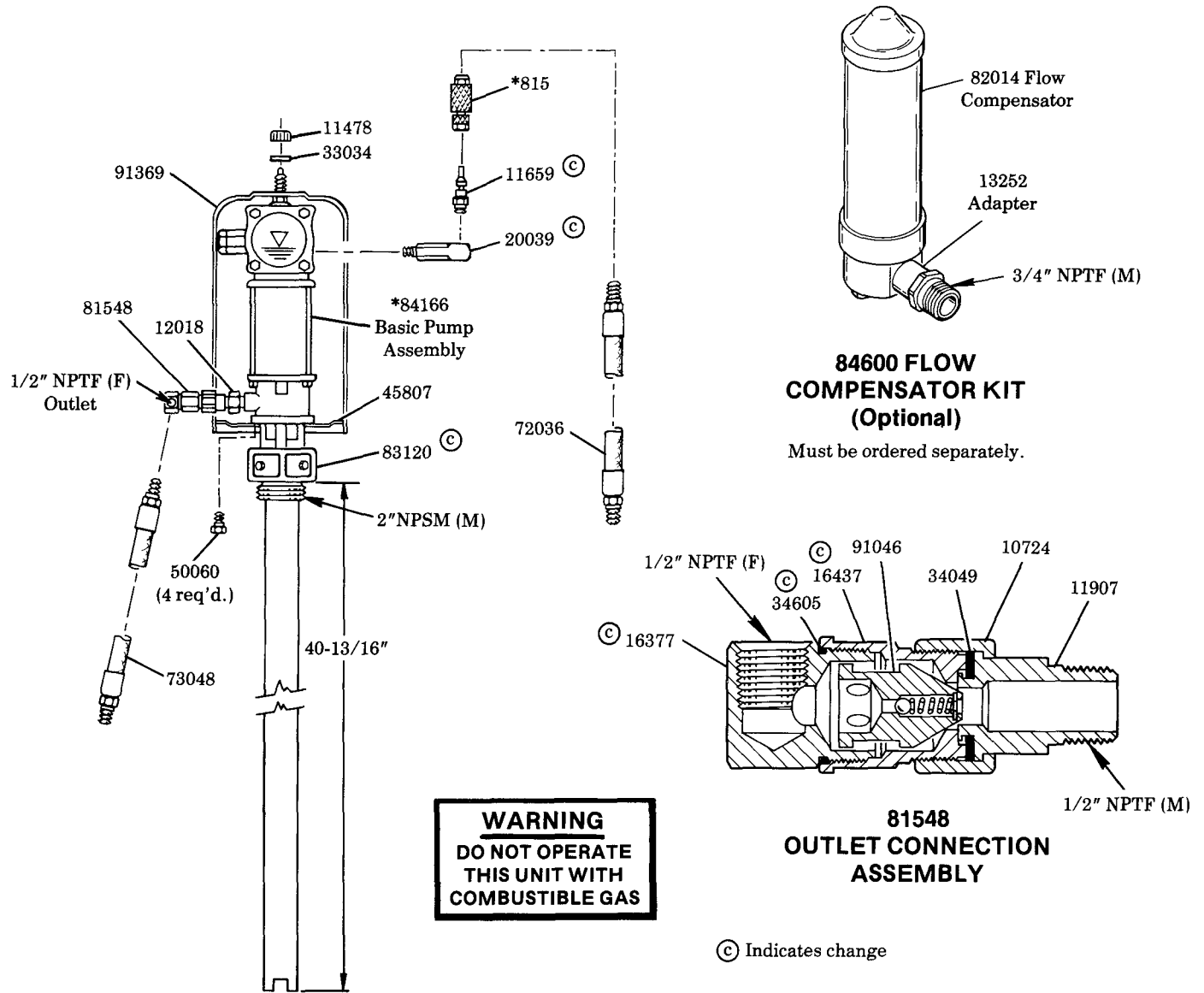


# FLUID LUBRIGUN

275 GALLON TANK, 3:1 RATIO  
FOR DISPENSING MOTOR OIL OR SIMILAR FLUIDS



# Model 84168



**MODEL 84168**

## SERVICE PARTS

PART	DESCRIPTION	PART	DESCRIPTION
815	Air coupler	34605	O-ring
10724	Elbow union nut	45807	Cover guide
11478	Cover nut	50060	Bolt
11659	Air coupler nipple	72036	Air hose
11907	Check union nipple	73048	Volume hose
12018	Adapter	81548	Outlet connection assembly
16377	Check housing	83120	Bung bushing
16437	Outlet connector	84166	Basic pump assembly
20039	Elbow	91046	Outlet check
33034	Washer	91369	Airmotor cover
34049	Elbow union gasket		

**\*REFER TO SEPARATE INSTRUCTIONS:**  
815 Air Coupler Section G9, Page 2 Series  
84166 Basic Pump Section A6, Page 4 Series

**LINCOLN ST. LOUIS**  
4010 GOODFELLOW BLVD • ST LOUIS MO 63120 • (314) 679-4200



**SECTION - A6**  
**PAGE - 20L**