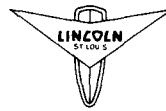
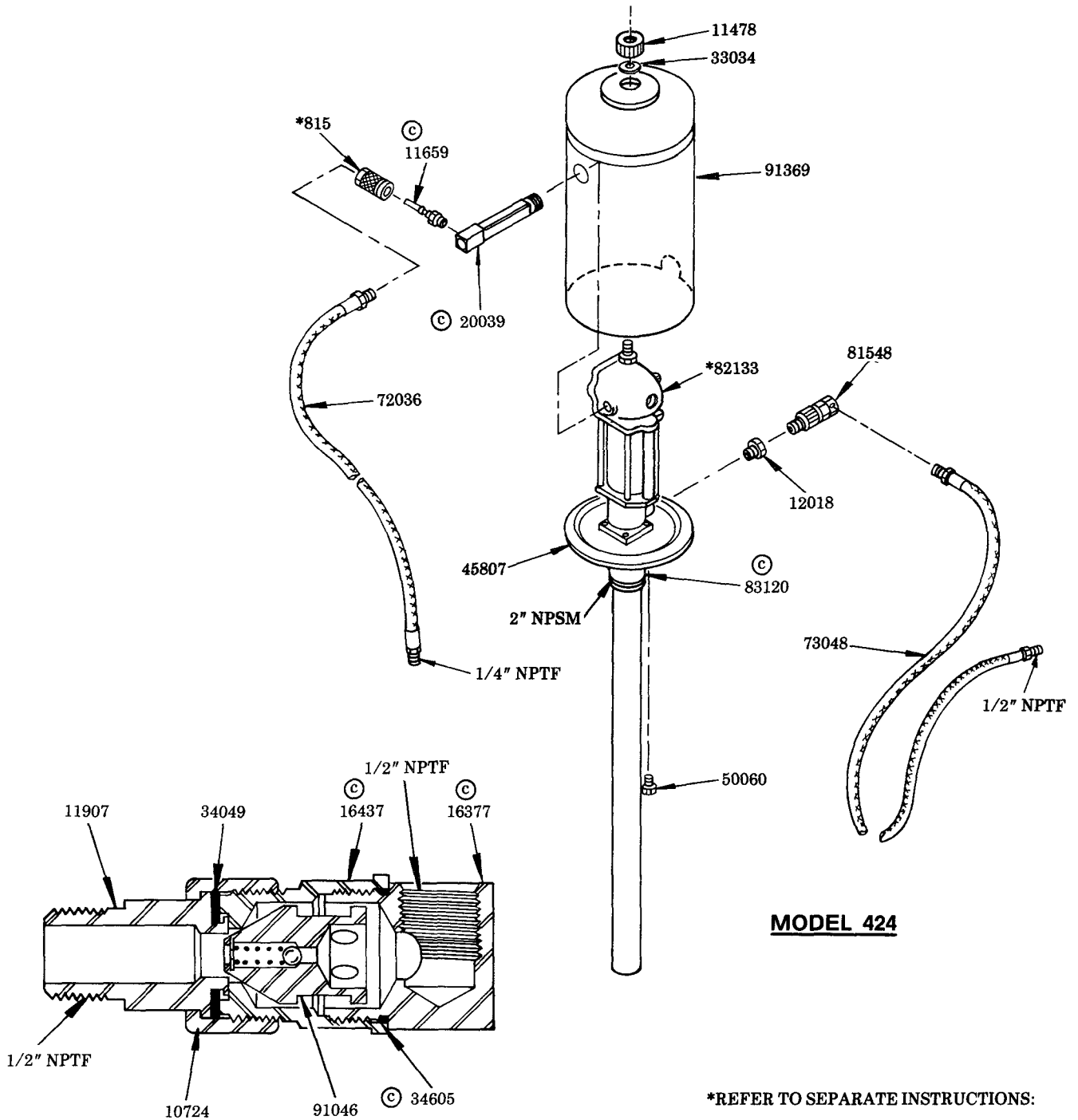


# STATIONARY GEAR LUBRIGUN

55 GAL DRUM SIZE 3:1 RATIO



# Models 424,425



**MODEL 424**

**81548  
OUTLET CONNECTION  
ASSEMBLY**

**\*REFER TO SEPARATE INSTRUCTIONS:**  
815 Air Coupler Section G9, Page 2 Series  
82133 Basic Pump Section A6, Page 4 Series

© Indicates change

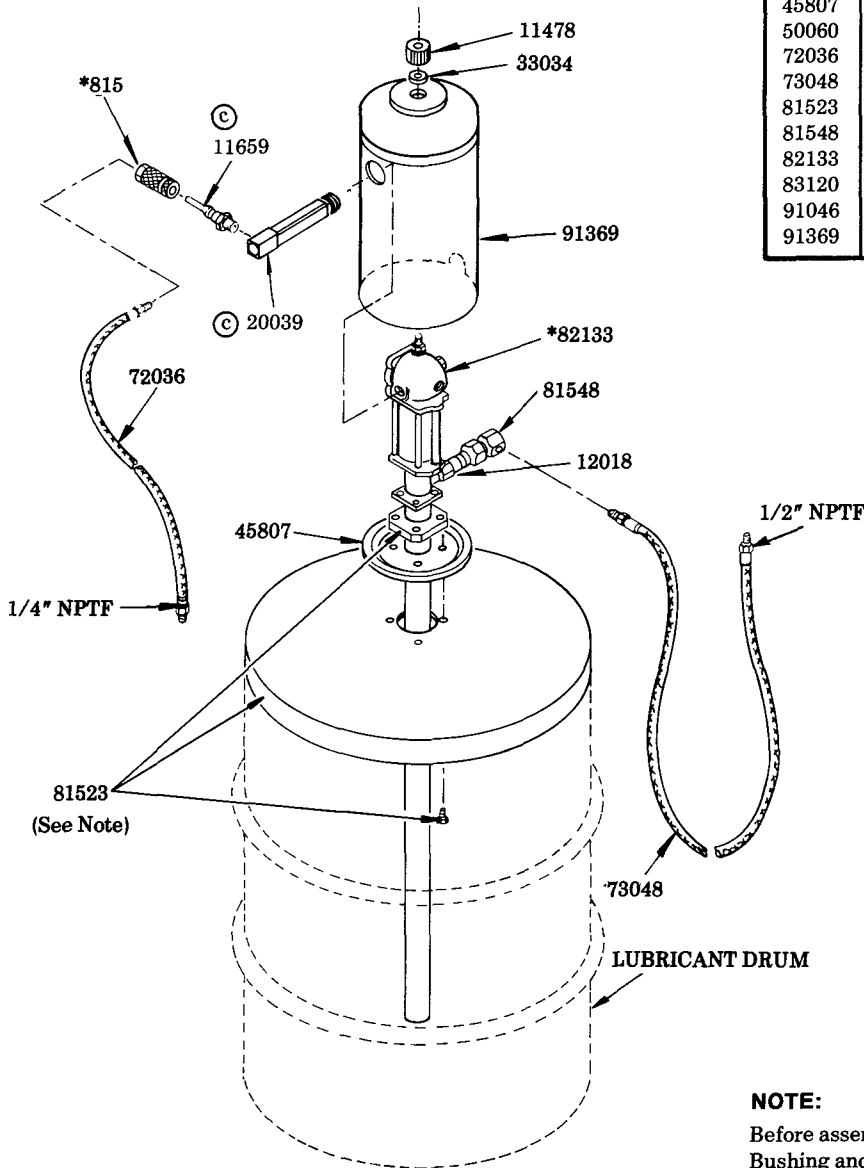
**LINCOLN ST. LOUIS**  
4010 GOODFELLOW BLVD • ST LOUIS, MO 63120 • (314) 679-4200



**SECTION - A6**  
**PAGE - 28G**

## SERVICE PARTS

PART	QUAN.	DESCRIPTION
815	1	Air coupler
10724	1	Adapter
11478	1	Cover nut
11659	1	Air coupler nipple
11907	1	Check union nipple
12018	1	Adapter
16377	1	Check housing
16437	1	Outlet connector
20039	1	Adapter
33034	1	Fiber washer
34049	1	Elbow union gasket
34605	1	O-ring
45807	1	Cover guide
50060	4	Bolt
72036	1	Air hose
73048	1	Lubricant hose
81523	1	Drum cover assembly
81548	1	Outlet connection assembly
82133	1	Basic pump assembly
83120	1	Bung bushing assembly
91046	1	Outlet check assembly
91369	1	Airmotor cover



© Indicates change

### MODEL 425

**NOTE:**

Before assembling pump, remove and discard 83120 Bung Bushing and four 50060 Bolts from Model 424.

**\* REFER TO SEPARATE INSTRUCTIONS:**

815 Air Coupler Section G9, Page 2 Series.  
82133 Basic Pump Section A6, Page 4 Series.

**RETAIN THIS INFORMATION FOR FUTURE REFERENCE**

When ordering replacement parts, list: Part Number, Description, Model Number, and Series Letter.

LINCOLN ST. LOUIS provides a Distributor Network that stocks equipment and replacement parts.  
A list of Authorized Service Departments will be furnished upon request.