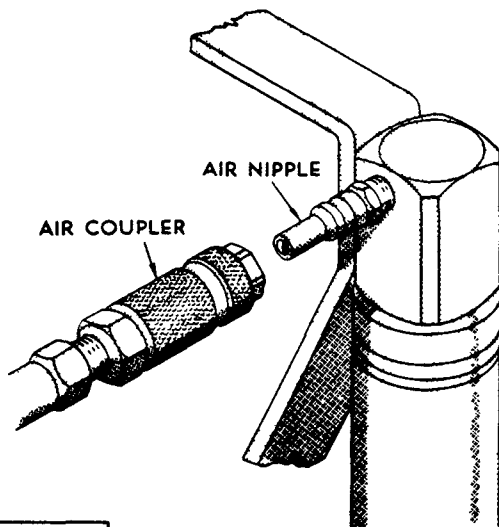


(FOR 120 LB. DRUM)

NOTE:

ELEVATOR BRACKET MUST BE ANCHORED SECURELY TO FLOOR BEFORE ELEVATOR CAN BE OPERATED. (REFER TO INSTALLATION OF ELEVATOR)



Ø OF LUBRIGUN

AIR COUPLER

AIR NIPPLE

38 1/2" MINIMUM HEIGHT

66 3/4" ELEVATED HEIGHT

OPERATION - TO LIFT LUBRIGUN

AIR COUPLER is removed from LUBRIGUN and attached to the AIR NIPPLE of the ELEVATOR.

Restrictor in base of Air inlet prevents ELEVATOR from lifting too rapidly.

IMPORTANT:

AIR COUPLER MUST REMAIN CONNECTED TO HOLD ELEVATOR IN THE RAISED POSITION.

Remove AIR COUPLER to lower LUBRIGUN. The restrictor permits the ELEVATOR to lower slowly.

OPERATING AIR PRESSURE

50 P.S.I. MINIMUM
200 P.S.I. MAXIMUM

360126

57025
45512
68527

RESTRICTOR

11660

92052

92051

50757

50754

360322 (2 REQ)

50033 (4 REQ)

51010 (4 REQ)

66170 (4 REQ)

61499

14122

36078

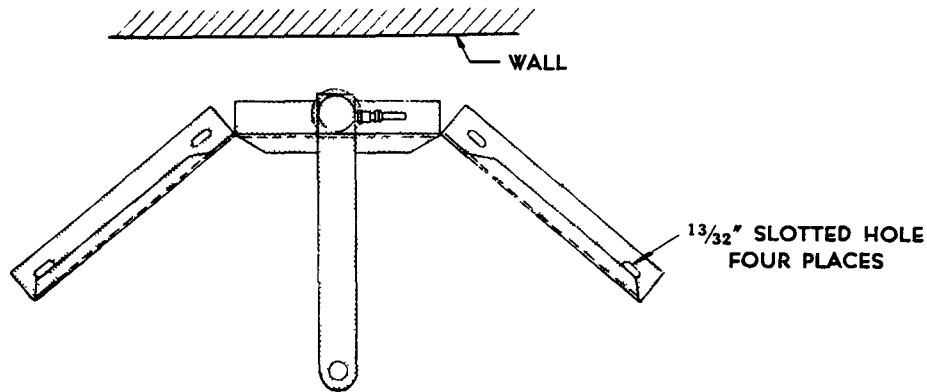
51020

34400

68907

14123

INSTALLATION OF ELEVATOR



Distance from wall should be sufficient to clear ELEVATOR. Provide a minimum of 30" clearance above PUMPS to permit the vertical lifting of ELEVATOR, for changing drums.

Use Mounting Bracket as a template to mark floor location of anchor screws.

Mounting Bracket must be rigidly secured to floor.

REPAIR PARTS LIST

Part	Description	Part	Description
11660	Air Coupler Nipple	57025	Leather Spreader
14122	Piston	61499	Tube
14123	Cylinder End	66170	Lockwasher
34400	"O" Ring	68527	Lockwasher
36078	Cup Leather	68907	1/4" Dia. Groove Pin
45512	Washer	92051	Tube and Guide Assem.
50033	Rd. Hd. Machine Screw	92052	Support Bracket Assem.
50754	Nut	360126	Elevator Bracket
50757	Screw	360322	Bracket Clamp
51010	Stove Bolt Nut		
51020	7/16" - 20 Hex. Nut		

RETAIN THIS INFORMATION FOR FUTURE REFERENCE

When ordering replacement parts, list: Part Number, Description, Model Number, and Series Letter.

LINCOLN provides a Distributor Network that stocks equipment and replacement parts.