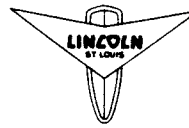
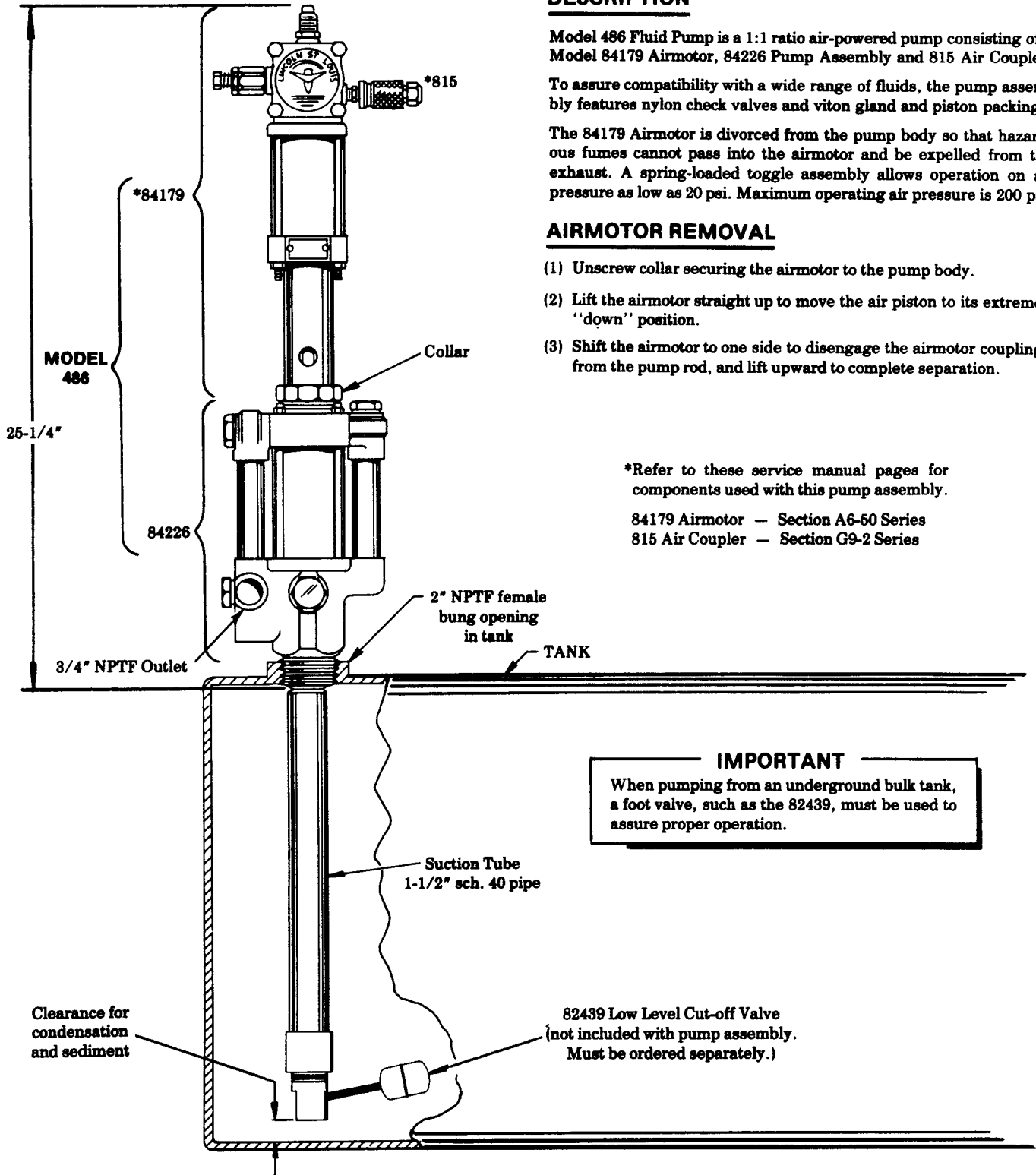


FLUID PUMP

1:1 RATIO, 200 PSI MAXIMUM AIR PRESSURE
FOR MOTOR OILS AND NON-FLAMMABLE LIQUIDS



Models 486 84226

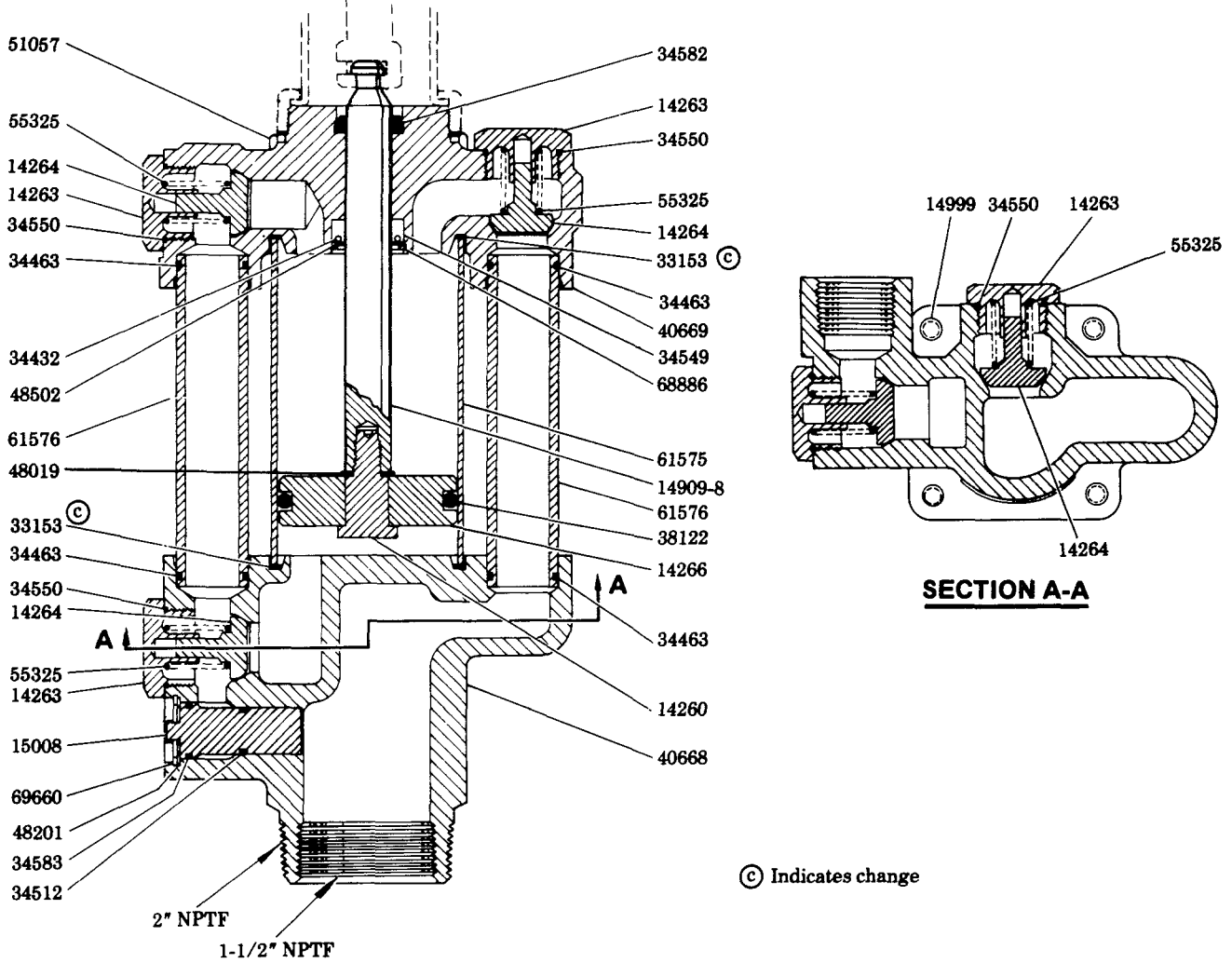


LINCOLN ST. LOUIS
4010 GOODFELLOW BLVD · ST LOUIS, MO 63120 · (314) 383-5900

A DIVISION OF
McNEIL
CORPORATION

SECTION - **A6**
PAGE - **49C**

**84226 PUMP ASSEMBLY
SERIES "A"**



Ⓒ Indicates change

SERVICE PARTS

PART	QUAN.	DESCRIPTION	PART	QUAN.	DESCRIPTION
14260	1	Piston bolt	34583	1	O-ring
14263	4	Check guide	38122	1	Piston ring
14264	4	Check	40668	1	Outlet casting
14266	1	Piston	40669	1	Intermediate casting
14909-8	1	Gland rod	48019	1	Washer
14999	4	Tie rod	48201	1	Washer
15008	1	Plug	48502	1	Washer
33153	2	Gasket	51057	4	Nut
34432	1	O-ring	55325	4	Check spring
34463	4	O-ring	61575	1	Pump cylinder
34512	1	O-ring	61576	2	Transfer tube
34549	1	U-cup packing	68886	1	Retaining ring
34550	4	O-ring	69660	1	Retaining ring
34582	1	Rod wiper			

RETAIN THIS INFORMATION FOR FUTURE REFERENCE

When ordering replacement parts, list: Part Number, Description, Model Number, and Series Letter.
LINCOLN ST. LOUIS provides a Distributor Network that stocks equipment and replacement parts.
 A list of Authorized Service Departments will be furnished upon request.