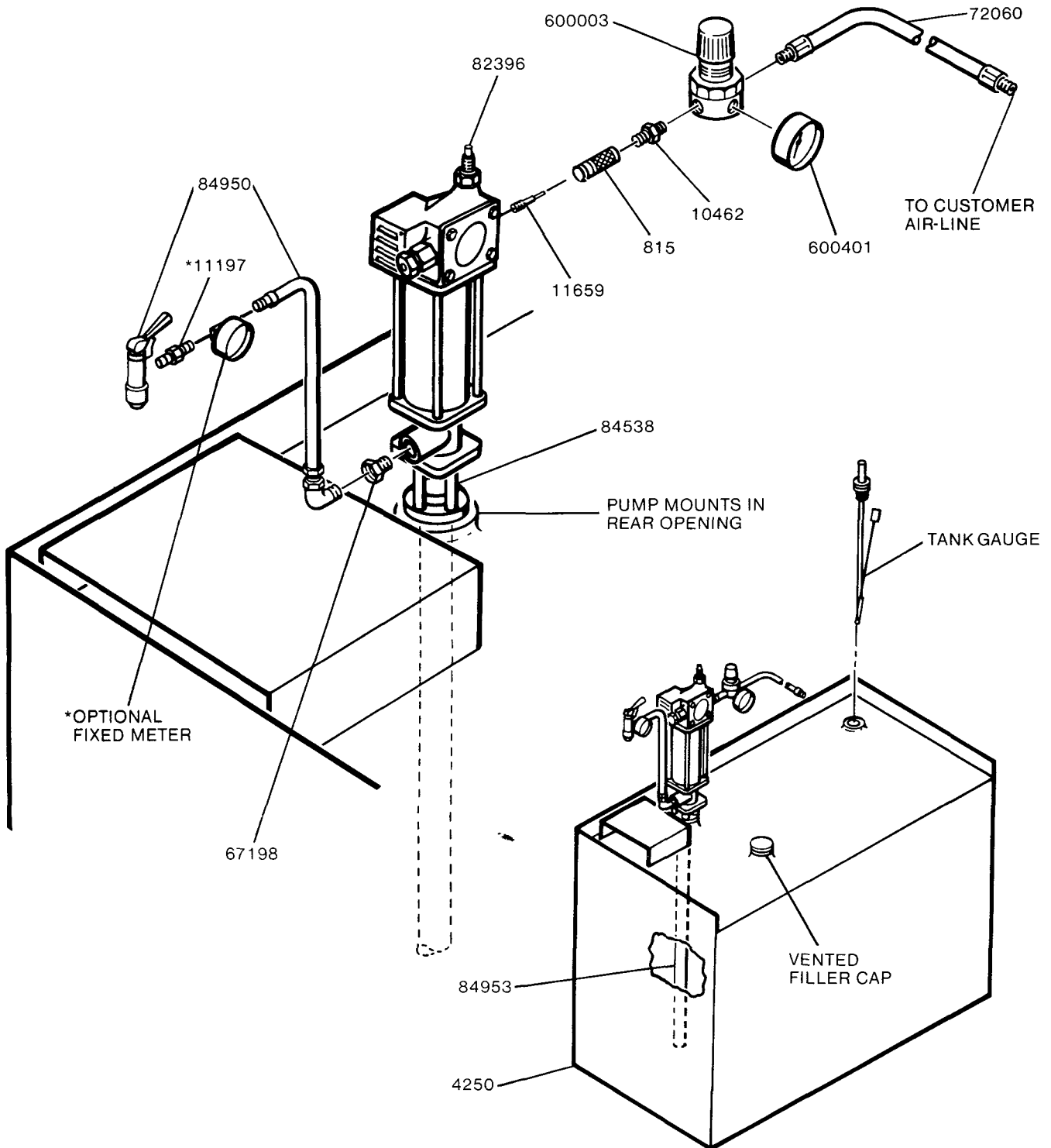


LINCOLN

A PENTAIR COMPANY

Model No. 4251 EXPANDABLE SYSTEM

ON 250 GALLON BENCH TOP TANK



LINCOLN

A PENTAIR COMPANY

One Lincoln Way
St. Louis, Missouri 63120-1578
(314) 679-4200
Customer Service, (314) 679-4300

Copyright 1989
Printed in U.S.A.

Section - A70

Page - 1

Form 412561

Model 4251 consists of:

Part	Qty.	Description
4250	1	250 gallon bench top tank with gauge
4260	1	Lube equipment package
		Consisting of:
815	1	Air coupler
10462	1	Nipple
11659	1	Air nipple
67198	1	Bushing
72060	1	1/4" I.D. air hose (5 ft.)
82396	1	Pump assembly (3:1)
84538	1	Bung bushing
84950	1	Spigot
84953	1	Suction tube
600003	1	Air regulator
600401	1	Air gauge

***Optional Fixed Meters**

Model 870 - Pints Model 872 - Imp. Pints
Model 871 - Quarts Model 873 - Liters
1 - 11197 Nipple is required for installation.

RETAIN THIS INFORMATION FOR FUTURE REFERENCE

When ordering replacement parts, list: Part Number, Description, Model Number, and Series Letter.

LINCOLN provides a Distributor Network that stocks equipment and replacement parts.