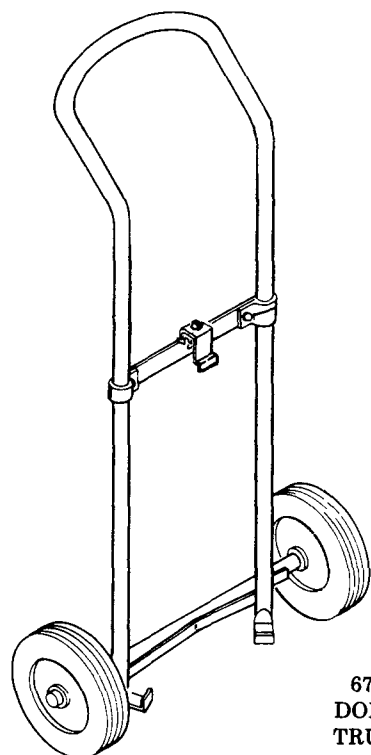
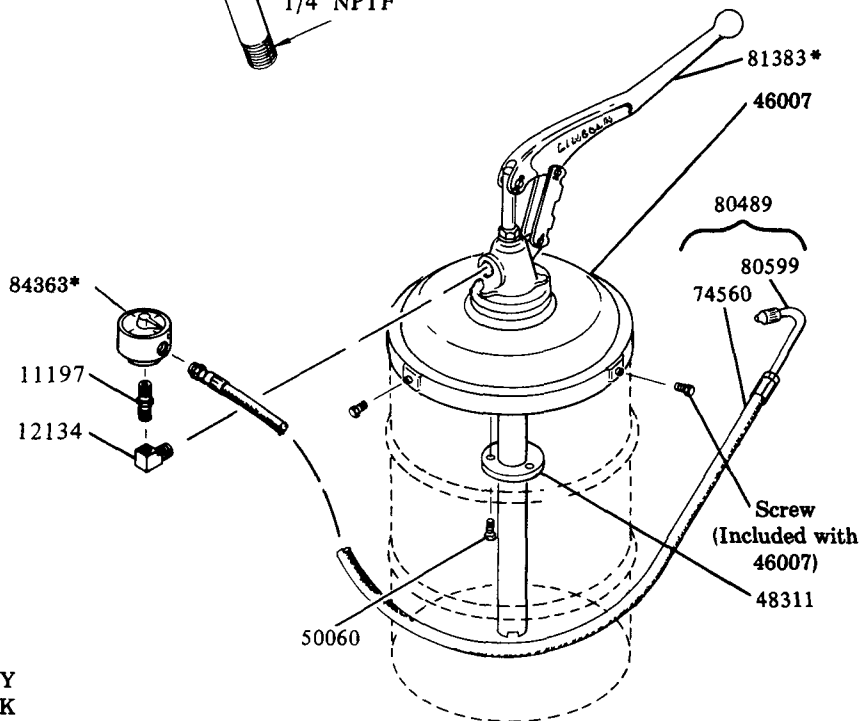
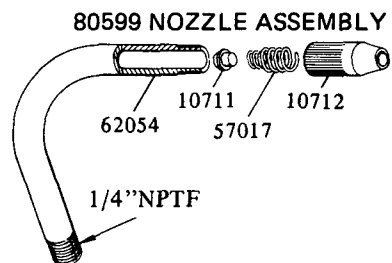


* REFER TO SEPARATE INSTRUCTIONS	
674	Dolly Truck
81383	Basic Pump
84363	Meter Ass'y



674\*  
DOLLY  
TRUCK



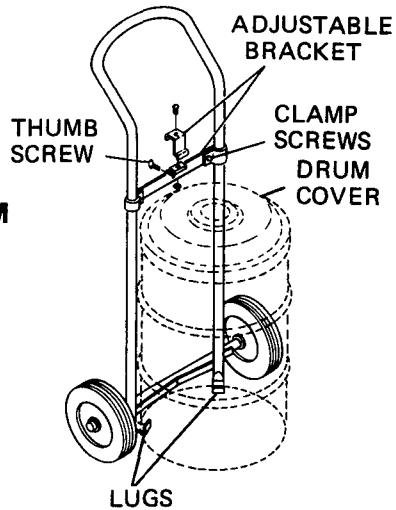
**SERVICE PARTS**

Part	Qty.	Description
674	1	Dolly Truck
10711	1	Nozzle check
10712	1	Nozzle tip
11197	1	Adapter
12134	1	Elbow
46007	1	Drum cover
48311	1	Reinforcing washer
50060	3	Screw
57017	1	Spring
62054	1	Nozzle tube
74560	1	Hose
80489	1	Hose & nozzle assembly
80599	1	Nozzle assembly
81383	1	Bare pump assembly
84363	1	Meter Ass'y

---

## INSTRUCTIONS FOR CLAMPING DOLLY TRUCK DRUM

- 1) Set drum over lugs.
- 2) Loosen clamp screws.
- 3) Adjust bracket to clamp drum.
- 4) Clamp adjustable bracket to angle clip on drum cover.
- 5) Tighten clamp screws and thumb screw to hold drum.



———— **RETAIN THIS INFORMATION FOR FUTURE REFERENCE** ————

When ordering replacement parts, list: Part Number, Description, Model Number, and Series Letter.

LINCOLN provides a Distributor Network that stocks equipment and replacement parts.