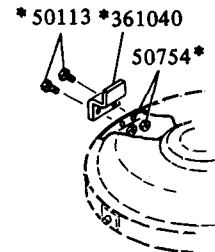


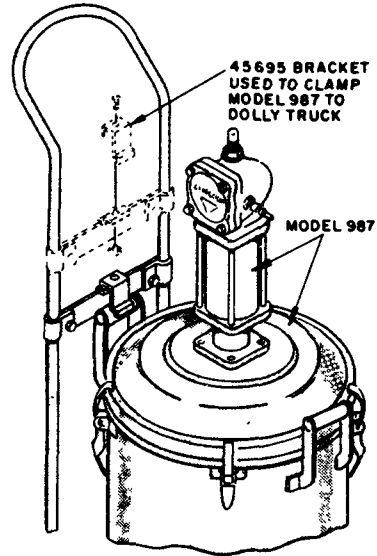
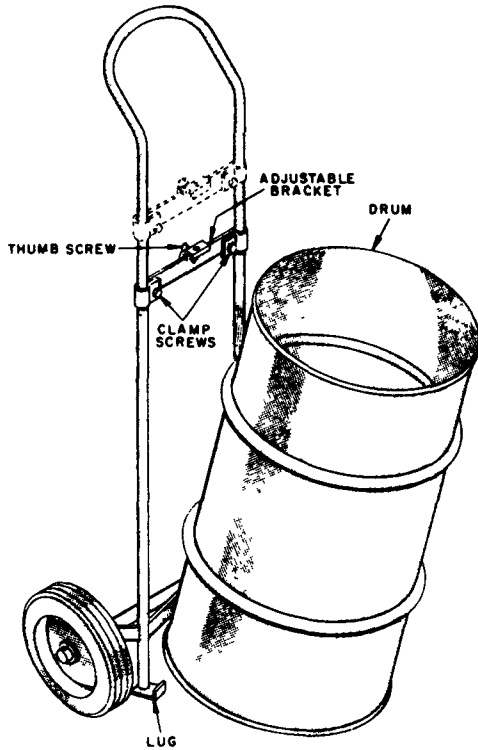
**\* NOTE:**  
45695 & 361040 brackets,  
50113 screws and 50754  
nuts are used only on  
Models 346P, 535-58  
549-58 and 844.



**SERVICE PARTS**

Part	Description
45695	Accessory clamp
48039	Washer
50030	Screw
50113	Screw
50205	Thumb screw
50302-1	Bolt
50754	Nut
51026	Nut
51302	Nut
51422	Pushnut
66946	Dolly wheel
236528	Dolly truck frame
361040	Bracket

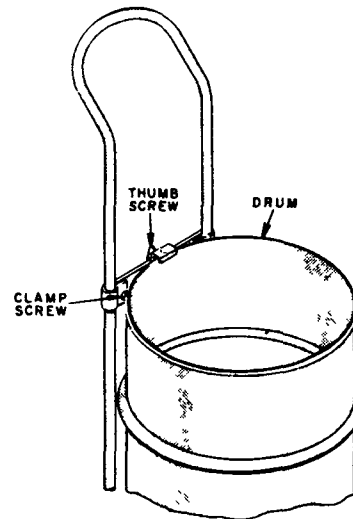
## INSTRUCTIONS FOR DOLLY TRUCK



## INSTRUCTIONS FOR CLAMPING DRUM TO DOLLY TRUCK

1. SET DRUM OVER LUGS.
2. LOOSEN CLAMP SCREWS.
3. ADJUST BRACKET TO CLAMP DRUM.
4. TIGHTEN CLAMP SCREWS AND THUMB SCREW TO HOLD DRUM.

**NOTE:** DISCARD BRACKET 45695 UNLESS USED WITH MODEL 987.



### RETAIN THIS INFORMATION FOR FUTURE REFERENCE

When ordering replacement parts, list: Part Number, Description, Model Number, and Series Letter.

LINCOLN provides a Distributor Network that stocks equipment and replacement parts.