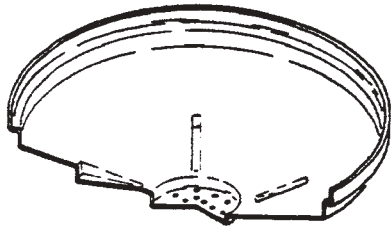




MODEL/MODELE/MODELO 613
DRAINMOBILE™ - OIL DRAIN SYSTEM/SYSTÈME DE VIDANGE
D'HUILE DRAINMOBILE™/SISTEMA DE DRENAJE DRAINMOBILE™

Assemble as shown./ Suives les instructions de montage./ Arme la unidad tal como se muestra.

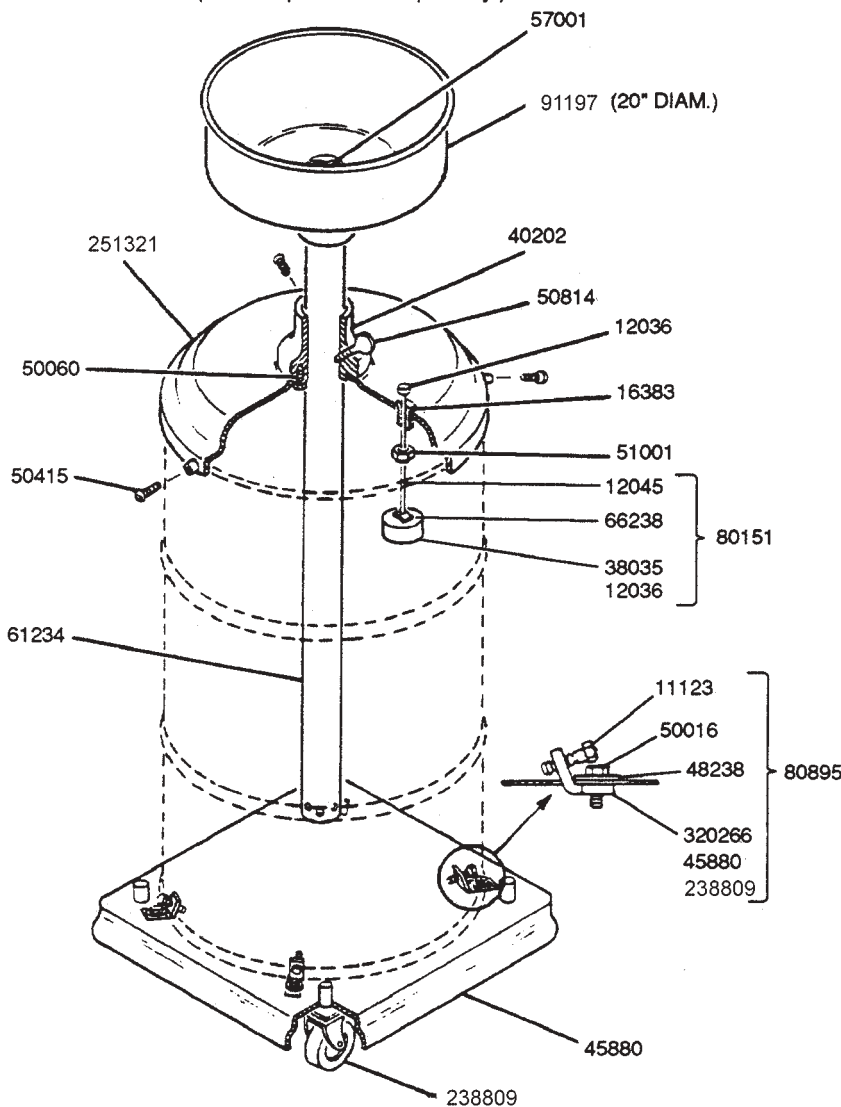


3610 Drain Pan
 (Must be purchased separately.)

3610 Drain Pan
 (Must be ordered separately.)

Bac de vidange 3610
 (à commander séparément.)

3610 Bandeja de drenaje
 (Se debe adquirir por separado.)



PART	QTY	DESCRIPTION
11123	4	Screw
12036	1	Gauge rod knob
12045	1	Gauge rod
16383	1	Gauge rod bushing
38035	1	Gauge floater
40202	1	Guide casting
45880	1	Base
48238	4	Washer
50016	4	Screw
50060	4	Screw
50415	3	Drum cover screw
50814	1	Thumbscrew
51001	1	Hex nut
57001	1	Catch spring
61234	1	Drain tube
66238	2	Speed nut
80151	1	Gauge float assy.
80895	1	Truck assembly
© 91197	1	Funnel (20" Diam.)
© 251312	1	Drum cover
© 238809	4	Caster
360266	4	Clamp

© Indicates Change



One Lincoln Way
 St. Louis, MO 63120-1578
 (314) 679-4200

©Copyright 2003
 Printed in U.S.A.

Section - B4

Page - 4K