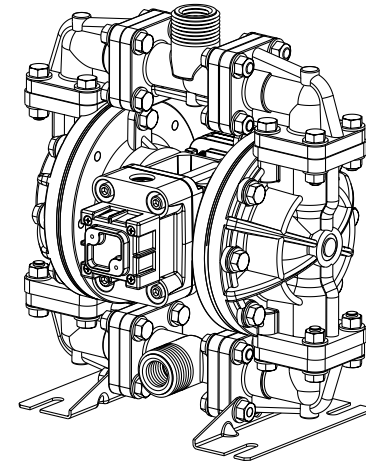


# SERVICE & OPERATING MANUAL



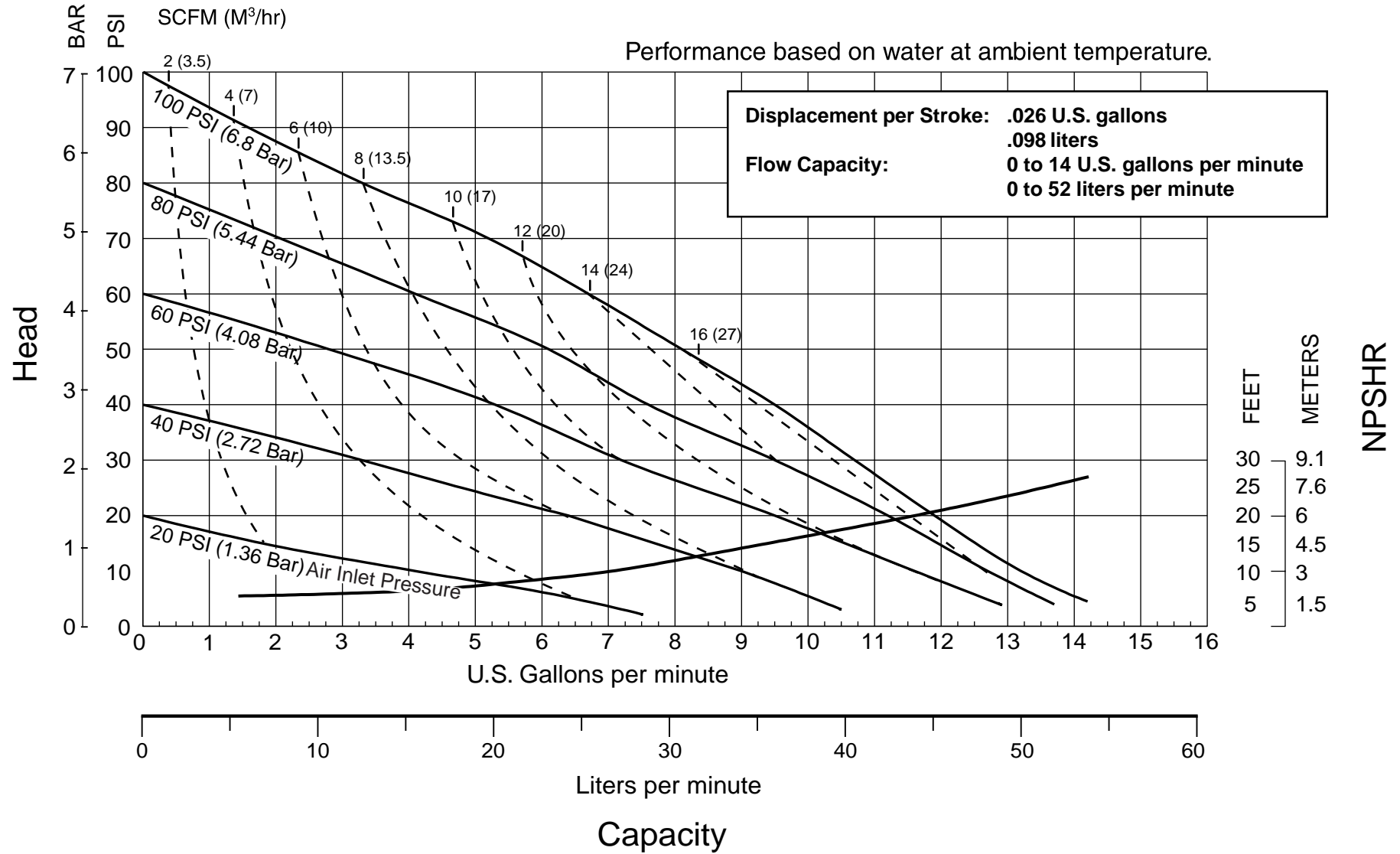
## Models 85353, 85354 1/2" Air-Powered Diaphragm Pump



### Table of Contents

Performance Curve .....	2	Composite Repair Parts List .....	9
Dimensions: with Encapsulated Muffler .....	3	Air Distribution Valve Assembly Drawing .....	10
Metric Dimensions: with Encapsulated Muffler .....	4	Air Distribution Valve Assembly Parts List .....	10
Principle of Pump Operation .....	5	Air Distribution Valve Servicing .....	11
Installation and Start-up .....	5	Pilot Valve Assembly Drawing .....	12
Air Supply .....	5	Pilot Valve Assembly Parts List .....	12
Air Valve Lubrication .....	5	Pilot Valve Servicing .....	13
Air Line Moisture .....	5	Intermediate Assembly Drawing & Repair Parts List .....	14
Air Inlet and Priming .....	5	Intermediate Assembly Servicing .....	15
Between Uses .....	5	Modular Check Valve Drawing .....	16
Troubleshooting .....	6	Modular Check Valve Servicing .....	17
Warranty .....	6	Diaphragm Service Drawing, Non-Overlay .....	18
Important Safety Information .....	7	Diaphragm Service Drawing, with Overlay .....	18
Composite Repair Parts Drawing .....	8	Diaphragm Servicing .....	19
Overlay Option Drawing .....	8	Overlay Diaphragm Servicing .....	19
<b>Available Service and Conversion Kits .....</b>	<b>8</b>	Exhaust Port or Auxiliary Muffler Setup .....	20

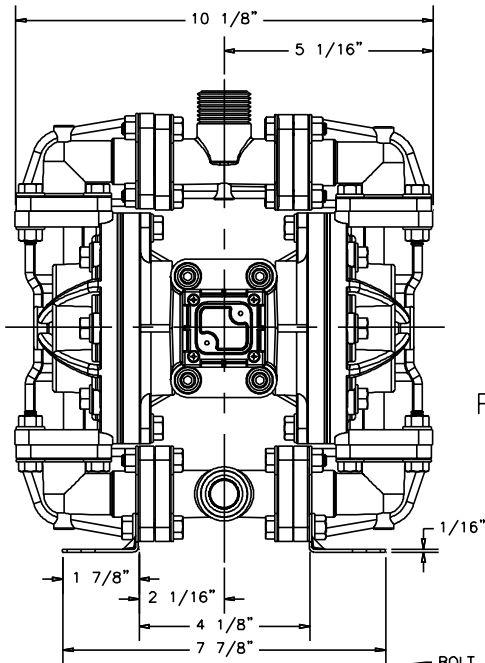
# Performance Curve, Models 85353, 85354



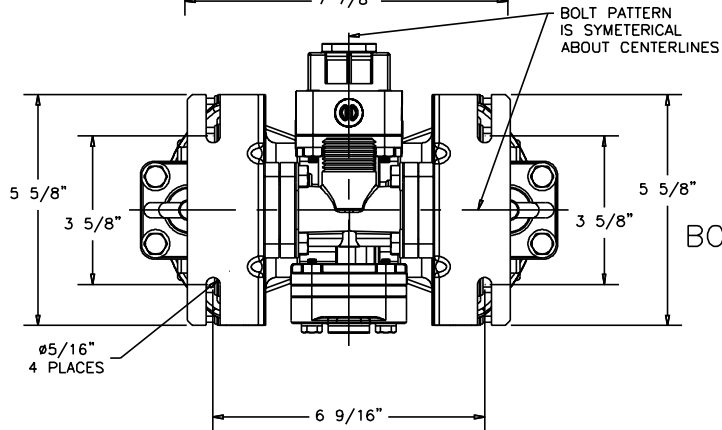
# Dimensions: with Encapsulated Muffler

Dimensions in Inches

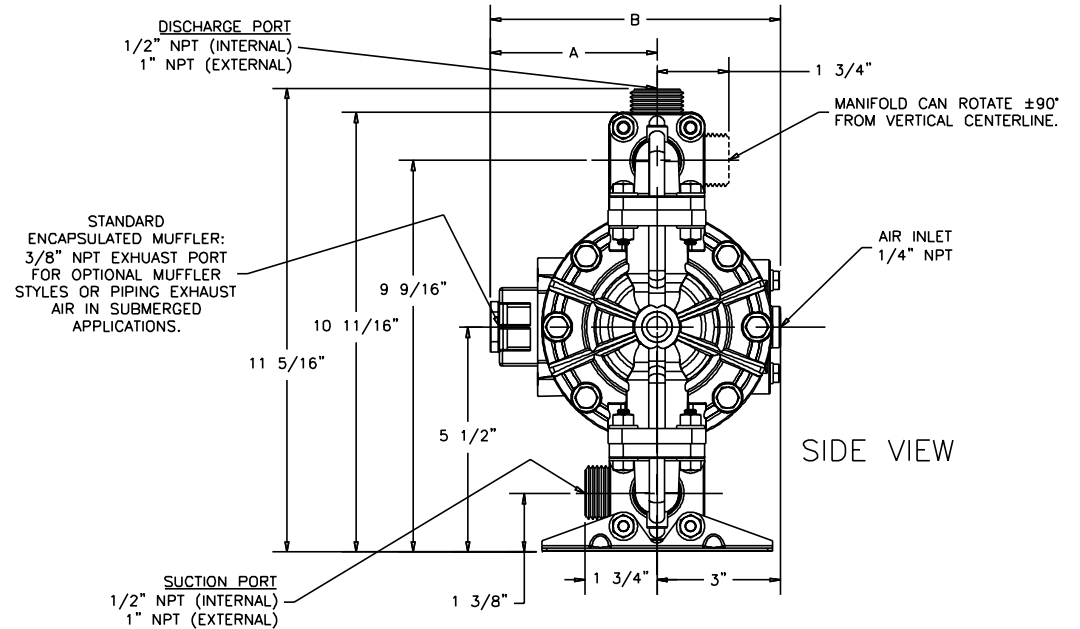
Dimensional tolerance:  $\pm 1/8"$



FRONT VIEW



BOTTOM VIEW



SIDE VIEW

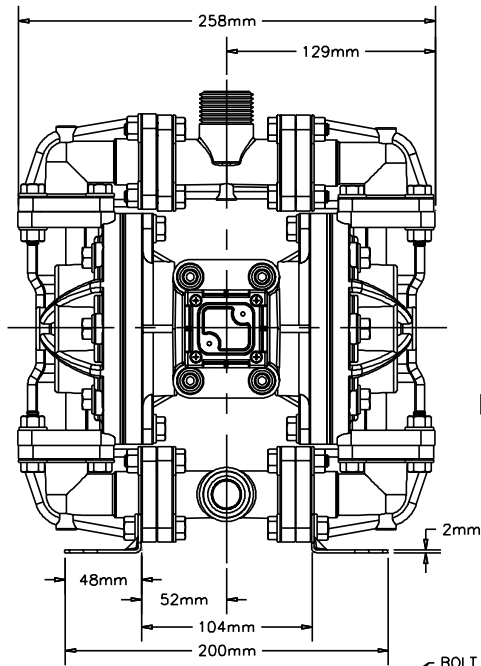
STANDARD ENCAPSULATED MUFFLER: 3/8" NPT EXHAUST PORT FOR OPTIONAL MUFFLER STYLES OR PIPING EXHAUST AIR IN SUBMERGED APPLICATIONS.

\* BOTH SUCTION AND DISCHARGE PORTS ARE AVAILABLE IN:  
1/2" BSP (INTERNAL)  
1" BSP (EXTERNAL)

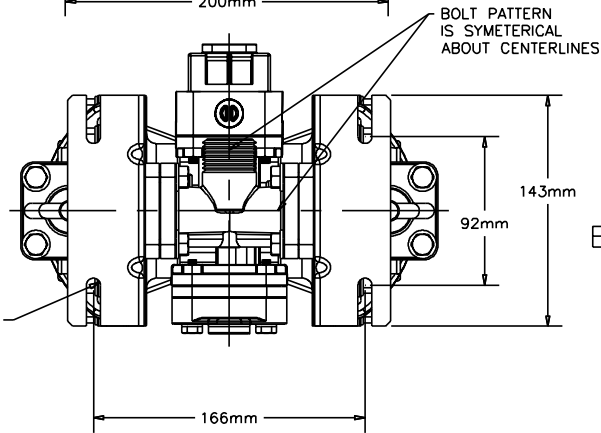
DIMENSION	A	B
STANDARD	4 1/16"	7 1/16"
PULSE OUTPUT KIT	5 13/16"	8 13/16"

# Dimensions: with Encapsulated Muffler

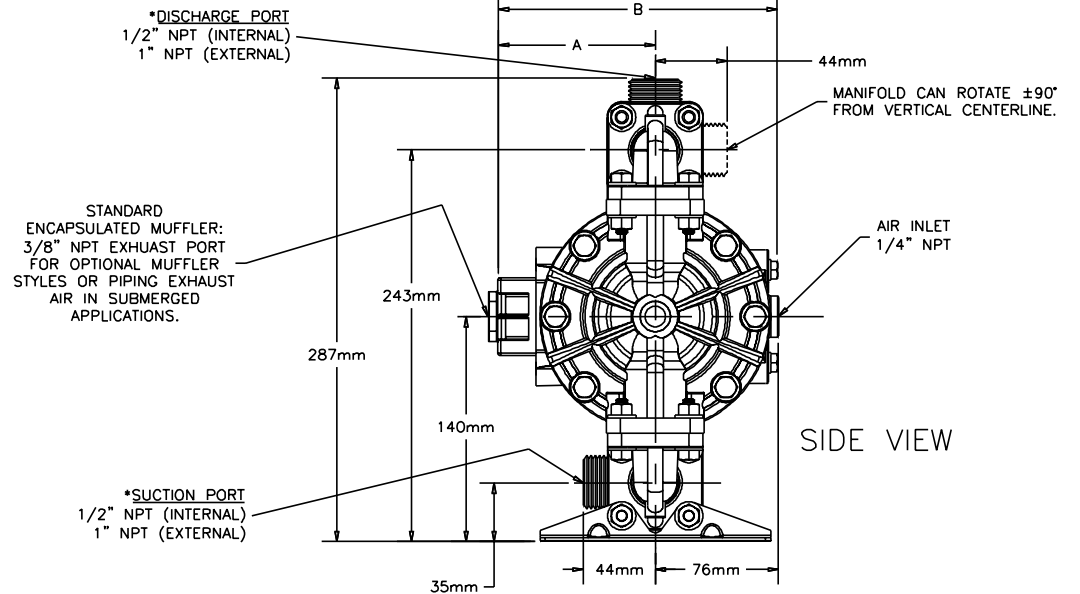
Dimensions in millimeters  
Dimensional tolerance: ±3mm



FRONT VIEW



BOTTOM VIEW



SIDE VIEW

STANDARD ENCAPSULATED MUFFLER:  
3/8" NPT EXHAUST PORT  
FOR OPTIONAL MUFFLER  
STYLES OR PIPING EXHAUST  
AIR IN SUBMERGED  
APPLICATIONS.

\*SUCTION PORT  
1/2" NPT (INTERNAL)  
1" NPT (EXTERNAL)

\*DISCHARGE PORT  
1/2" NPT (INTERNAL)  
1" NPT (EXTERNAL)

\*BOTH SUCTION AND  
DISCHARGE PORTS  
ARE AVAILABLE IN:  
1/2" BSP (INTERNAL)  
1" BSP (EXTERNAL)

DIMENSION	A	B
STANDARD	103mm	179mm
PULSE OUTPUT KIT	148mm	224mm

## PRINCIPLE OF PUMP OPERATION

This ball type check valve pump is powered by compressed air and is a 1:1 ratio design. The inner side of one diaphragm chamber is alternately pressurized while simultaneously exhausting the other inner chamber. This causes the diaphragms, which are connected by a common rod secured by plates to the centers of the diaphragms, to move in a reciprocating action. (As one diaphragm performs the discharge stroke the other diaphragm is pulled to perform the suction stroke in the opposite chamber.) Air pressure is applied over the entire inner surface of the diaphragm while liquid is discharged from the opposite side of the diaphragm. The diaphragm operates in a balanced condition during the discharge stroke which allows the pump to be operated at discharge heads over 200 feet (61 meters) of water.

For maximum diaphragm life, keep the pump as close to the liquid being pumped as possible. Positive suction head in excess of 10 feet of liquid (3.048 meters) may require a back pressure regulating device to maximize diaphragm life.

Alternate pressurizing and exhausting of the diaphragm chamber is performed by an externally mounted, pilot operated, four way spool type air distribution valve. When the spool shifts to one end of the valve body, inlet pressure is applied to one diaphragm chamber and the other diaphragm chamber exhausts. When the spool

shifts to the opposite end of the valve body, the pressure to the chambers is reversed. The air distribution valve spool is moved by an internal pilot valve which alternately pressurizes one end of the air distribution valve spool while exhausting the other end. The pilot valve is shifted at each end of the diaphragm stroke when an actuator plunger is contacted by the diaphragm plate. This actuator plunger then pushes the end of the pilot valve spool into position to activate the air distribution valve.

The chambers are connected with manifolds with a suction and discharge check valve for each chamber, maintaining flow in one direction through the pump.

## INSTALLATION AND START-UP

Locate the pump as close to the product being pumped as possible. Keep the suction line length and number of fittings to a minimum. Do not reduce the suction line diameter.

For installations of rigid piping, short sections of flexible hose should be installed between the pump and the piping. The flexible hose reduces vibration and strain to the pumping system. A surge suppressor is recommended to further reduce pulsation in flow.

## AIR SUPPLY

Air supply pressure cannot exceed 100 psi (7 bar). Connect the pump air inlet to an air supply of sufficient capacity and pressure required for desired performance. When the air supply line is solid piping, use a short length of

flexible hose not less than ½" (13mm) in diameter between the pump and the piping to reduce strain to the piping. The weight of the air supply line, regulators and filters must be supported by some means other than the air inlet cap. Failure to provide support for the piping may result in damage to the pump. A pressure regulating valve should be installed to insure air supply pressure does not exceed recommended limits.

## AIR VALVE LUBRICATION

The air distribution valve and the pilot valve are designed to operate WITHOUT lubrication. This is the preferred mode of operation. There may be instances of personal preference or poor quality air supplies when lubrication of the compressed air supply is required. The pump air system will operate with properly lubricated compressed air supply. Proper lubrication requires the use of an air line lubricator set to deliver one drop of SAE 10 non-detergent oil for every 20 SCFM (9.4 liters/sec.) of air the pump consumes at the point of operation. Consult the pump's published Performance Curve to determine this.

## AIR LINE MOISTURE

Water in the compressed air supply can create problems such as icing or freezing of the exhaust air, causing the pump to cycle erratically or stop operating. Water in the air supply can be reduced by using a point-of-use air dryer to supplement the user's air drying equipment. This device removes water from the compressed air supply and

alleviates the icing or freezing problems.

## AIR INLET AND PRIMING

To start the pump, open the air valve approximately ½ to ¾ turn. After the pump primes, the air valve can be opened to increase air flow as desired. If opening the valve increases cycling rate, but does not increase the rate of flow, cavitation has occurred. The valve should be closed slightly to obtain the most efficient air flow to pump flow ratio.

## BETWEEN USES

When the pump is used for materials that tend to settle out or solidify when not in motion, the pump should be flushed after each use to prevent damage. (Product remaining in the pump between uses could dry out or settle out. This could cause problems with the diaphragms and check valves at restart.) In freezing temperatures the pump must be completely drained between uses in all cases.

## TROUBLESHOOTING

### Possible Symptoms:

- Pump will not cycle.
- Pump cycles, but produces no flow.
- Pump cycles, but flow rate is unsatisfactory.
- Pump cycle seems unbalanced.
- Pump cycle seems to produce excessive vibration.

**What to Check:** Excessive suction lift in system.

**Corrective Action:** For lifts exceeding 20 feet (6 meters), filling the pumping chambers with liquid will prime the pump in most cases.

**What to Check:** Excessive flooded suction in system.

**Corrective Action:** For flooded conditions exceeding 10 feet (3 meters) of liquid, install a back pressure device.

**What to Check:** System head exceeds air supply pressure.

**Corrective Action:** Increase the inlet air pressure to the pump. Most diaphragm pumps are designed for 1:1 pressure ratio at zero flow.

**What to Check:** Air supply pressure or volume exceeds system head.

**Corrective Action:** Decrease inlet air pressure and volume to the pump as calculated on the published PERFORMANCE CURVE. Pump is cavitating the fluid by fast cycling.

**What to Check:** Undersized suction line.

**Corrective Action:** Meet or exceed pump connection recommendations shown on the DIMENSIONAL DRAWING.

**What to Check:** Restricted or undersized air line.

**Corrective Action:** Install a larger air line and connection. Refer to air inlet recommendations shown in your pump's SERVICE MANUAL.

**What to Check:** Check ESADS, the Externally Serviceable Air Distribution System of the pump.

**Corrective Action:** Disassemble and inspect the main air distribution valve, pilot valve and pilot valve actuators. Refer to the parts drawing and air valve section of the SERVICE MANUAL. Check for clogged discharge or closed valve before reassembly.

**What to Check:** Rigid pipe connections to pump.

**Corrective Action:** Install flexible connectors and a surge suppressor.

**What to Check:** Blocked air exhaust muffler.

**Corrective Action:** Remove muffler screen, clean or de-ice and reinstall. Refer to the Air Exhaust section of your pump SERVICE MANUAL.

**What to Check:** Pumped fluid in air exhaust muffler.

**Corrective Action:** Disassemble pump chambers. Inspect for diaphragm rupture or loose diaphragm plate assembly. Refer to the Diaphragm Replacement section of your pump SERVICE MANUAL.

**What to Check:** Suction side air leakage or air in product.

**Corrective Action:** Visually inspect all suction side gaskets and pipe connections.

**What to Check:** Obstructed check valve.

**Corrective Action:** Disassemble the wet end of the pump and manually dislodge obstruction in the check valve pocket. Refer to the Check Valve section of the pump SERVICE MANUAL for disassembly instructions.

**What to Check:** Worn or misaligned check valve or check valve seat.

**Corrective Action:** Inspect check valves and seats for wear and proper seating. Replace if necessary. Refer to Check Valve section of the pump SERVICE MANUAL for disassembly instructions.

**What to Check:** Blocked suction line.

**Corrective Action:** Remove or flush obstruction. Check and clear all suction screens and strainers.

**What to Check:** Blocked discharge line.

**Corrective Action:** Check for obstruction or closed discharge line valves.

**What to Check:** Blocked pumping chamber.

**Corrective Action:** Disassemble and inspect the wetted chambers of the pump. Remove or flush any obstructions. Refer to the pump SERVICE MANUAL for disassembly instructions.

**What to Check:** Entrained air or vapor lock in one or both pumping chambers.

**Corrective Action:** Purge chambers through tapped chamber vent plugs. PURGING THE CHAMBERS OF AIR CAN BE DANGEROUS! Contact the Technical Services Department before performing this procedure. A model with top-ported discharge will reduce or eliminate problems with entrained air.

If your pump continues to perform below your expectations, contact your local distributor or factory Technical Services Group for a service evaluation.

## WARRANTY

This pump is warranted for a period of five years against defective material and workmanship.

# IMPORTANT SAFETY INFORMATION

*Read these safety warnings and instructions in this manual COMPLETELY, before installation and start-up of the pump. It is the responsibility of the purchaser to retain this manual for reference. Failure to comply with the recommendations stated in this manual will damage the pump, and void factory warranty.*

## DANGER!

*Before doing any maintenance on the pump, be certain all pressure is completely vented from the pump, suction, discharge, piping, and all other openings and connections. Be certain the air supply is locked out or made non-operational, so that it cannot be started while work is being done on the pump. Be certain that approved eye protection and protective clothing are worn all times in the vicinity of the pump. Failure to follow these recommendations may result in serious injury or death.*

## BEFORE OPERATION

*Before pump operation, inspect all gasketed fasteners for looseness caused by gasket creep. Re-torque loose fasteners to prevent leakage. Follow recommended torques stated in this manual.*

## CAUTION!

*Before maintenance or repair, shut off the compressed air line, bleed the pressure, and disconnect the air line from the pump. The discharge line may be pressurized and must be bled of its pressure. When used for toxic or aggressive fluids, the pump should always be flushed clean prior to disassembly.*

## WARNING!

*Take action to prevent static sparking. Fire or explosion can result, especially when handling flammable liquids. The pump, piping, valves, containers or other miscellaneous equipment must be grounded.*

## IMPORTANT!

*This pump is pressurized internally with air pressure during operation. Always make certain that all bolting is in good condition and that all of the correct bolting is reinstalled during assembly.*

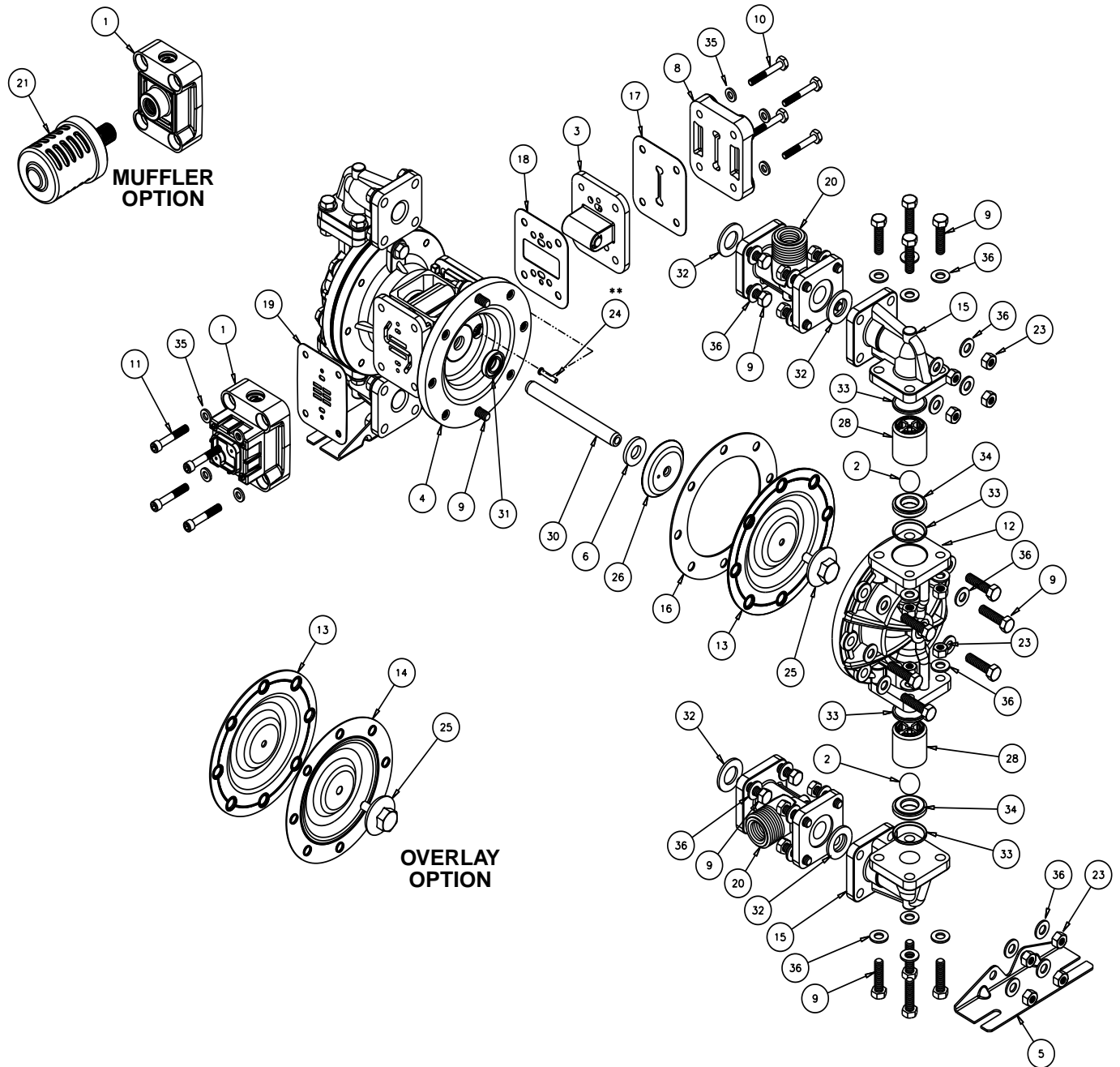
## CAUTION!

*In the event of diaphragm rupture, pumped material may enter the air end of the pump, and be discharged into the atmosphere. If pumping a product which is hazardous or toxic, the air exhaust must be piped to an appropriate area for safe disposition.*

# Composite Repair Parts Drawing

## Available Service and Conversion Kits

PART NO.	DESCRIPTION
252891	<b>AIR END KIT</b> Seals, O-rings, Gaskets, Retaining Rings, Air Valve Spool and Pilot Valve Assembly.
252892	<b>WETTED END KIT</b> Santoprene Diaphragms, Nitrile Spacer Gaskets, Santoprene Check Balls and TFE Seals.
252893	<b>WETTED END KIT</b> Santoprene Diaphragms, TFE Overlay Diaphragm, TFE Check Balls and TFE Seals.

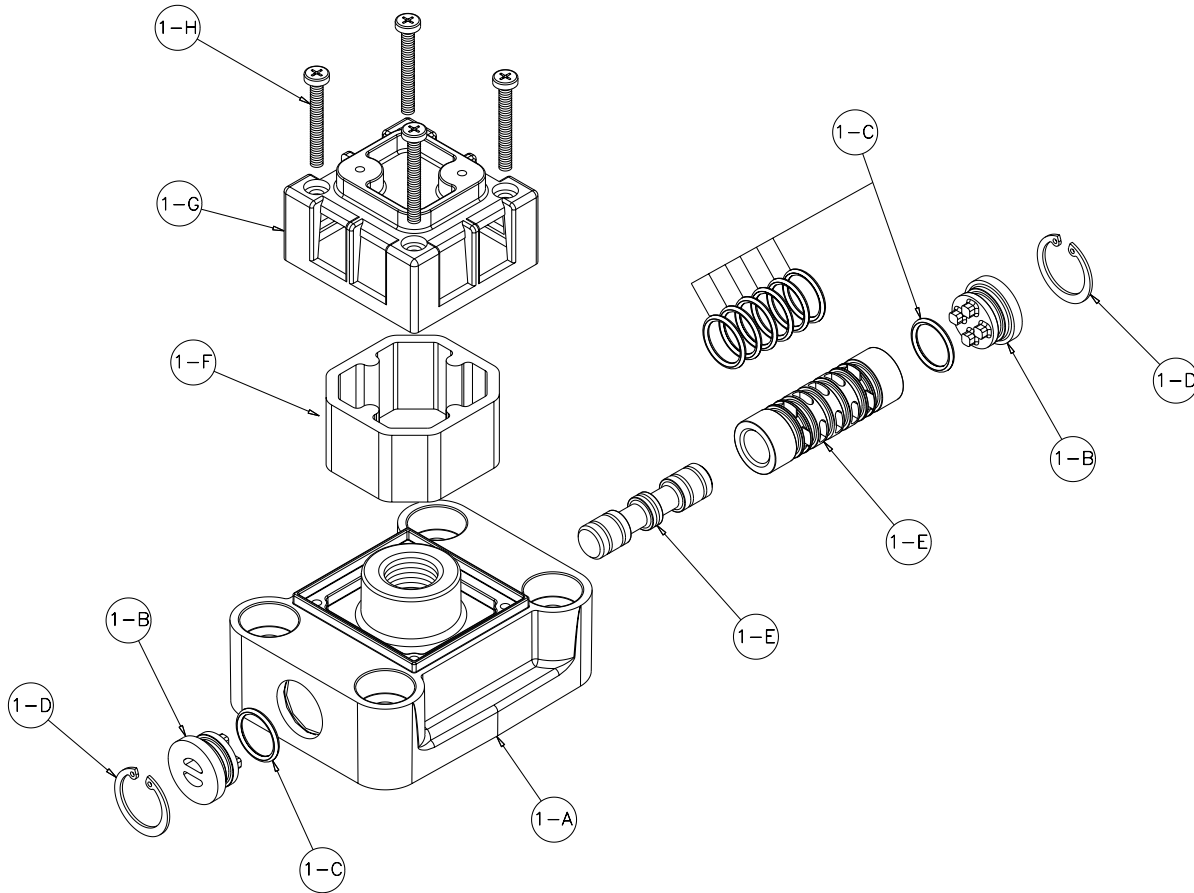




# Composite Repair Parts List

			Model 85353	Model 85354
ITEM	DESCRIPTION	QTY	PART NO.	PART NO.
1	Air Valve Assembly	1	252894	252894
2	Ball, Check	4	252895	252896
3	Pilot Valve Assembly	1	252897	252897
4	Intermediate Assembly	1	252898	252898
5	Bracket, Mounting	2	252899	252899
	Bracket, Free Standing (Optional)	2	252939	252939
6	Bumper, Diaphragm	2	252900	252900
8	Cap, Air Inlet	1	252902	252902
9	Capscrew, Hex HD 5/16-18 X 1.25	48	252903	252903
	Capscrew, Hex HD 5/16-18 X 1.75 (use with Free Standing Option)	8	252940	252940
10	Capscrew, Hex HD 1/4-20 X 1.62	4	252904	252904
11	Capscrew, Soc HD 1/4-20 X 1.50	4	252905	252905
12	Chamber, Outer	2	252906	252906
13	Diaphragm	2	252907	252907
14	Diaphragm, Overlay	2		252908
15	Elbow	4	252909	252909
16	Gasket, Spacer	2	252910	252910
17	Gasket, Air Inlet	1	252911	252911
18	Gasket, Pilot Valve	1	252912	252912
19	Gasket, Air Valve	1	252913	252913
20	Manifold	2	252914	252914
23	Nut, Hex 5/16-18"	24	252916	252916
25	Plate, Outer Diaphragm	2	240768	240768
26	Plate, Inner Diaphragm	2	252917	252917
27	Plunger, Actuator	2	252918	252918
28	Retainer, Ball	4	252919	252919
30	Rod, Diaphragm	1	252920	252920
31	Seal, Diaphragm Rod	2	252921	252921
32	Seal, Manifold	4	252922	252922
33	Seal, Check Valve	8	252923	252923
34	Seat, Check Valve	4	252924	252924
35	Washer, Flat 1/4"	8	240783	240783
36	Washer, Flat 5/16"	72	240659	240659

# Air Distribution Valve Assembly Drawing



## MAIN AIR VALVE ASSEMBLY PARTS LIST

ITEM	PART NUMBER	DESCRIPTION	QTY
1	252894	Main Air Valve Assembly	1
1-A	252925	Body, Air Valve	1
1-B	252926	Cap, End with o-ring	2
1-C	252927	O-Ring	8
1-D	252928	Ring, Retaining	2
1-E	252929	Sleeve and Spool Set w/o-rings	1
1-F	252930	Muffer	1
1-G	252931	Cap, Muffer	1
1-H	252932	Screws, Self-Tapping	4

## AIR DISTRIBUTION VALVE SERVICING

To service the air valve first shut off the compressed air, bleed pressure from the pump, and disconnect the air supply line from the pump.

### **STEP #1:** See COMPOSITE REPAIR PARTS DRAWING.

Using a  $\frac{3}{16}$ " Allen wrench, remove the four hex socket capscrews (item 11) and four flat washers (item 36). Remove the air valve assembly from the pump.

Remove and inspect gasket (item 19) for cracks or damage. Replace gasket if needed.

### **STEP #2:** Disassembly of the air valve.

To access the internal air valve components first remove the two retaining rings (item 1-D) from each end of the air valve assembly using clip ring pliers.

Next remove the two end caps (item 1-B). Inspect the o-ring (item 1-C) for cuts or wear. Replace the o-rings if necessary.

Remove the spool (part of item 1-E) from the sleeve. Be careful not to scratch or damage the outer diameter of the spool. Wipe spool with a soft cloth and inspect for scratches or wear.

Inspect the inner diameter of the sleeve (part of item 1-E) for dirt, scratches, or other contaminants. Remove the sleeve if needed and replace with a new sleeve and spool set (item 1-E).

### **STEP #3:** Reassembly of the air valve.

Install one end cap (item 1-B) with an o-ring (item 1-C) into one end of the air valve body (item 1-A). Install one retaining ring (item 1-D) into the groove on the same end.

Remove the new sleeve and spool set (item 1-E) from the plastic bag. Carefully remove the spool from the sleeve. Install the six o-rings (item 1-C) into the six grooves on the sleeve. Apply a light coating of grease to the o-rings before installing the sleeve into the valve body (item 1-A). align the slots in the sleeve with the slots in the valve body. Insert the spool into the sleeve. Be careful not to scratch or damage the spool during installation. Push the spool in until touches the end cap on the opposite end.

Install the remaining end cap with o-ring and retaining ring.

Fasten the air valve assembly (item 1) and gasket (item 19) to the pump.

Connect the compressed air line to the pump. The pump is now ready for operation.

## **IMPORTANT**

*Read these instructions completely, before installation and start-up. It is the responsibility of the purchaser to retain this manual for reference. Failure to comply with the recommendations stated in this manual will damage the pump, and void factory warranty.*

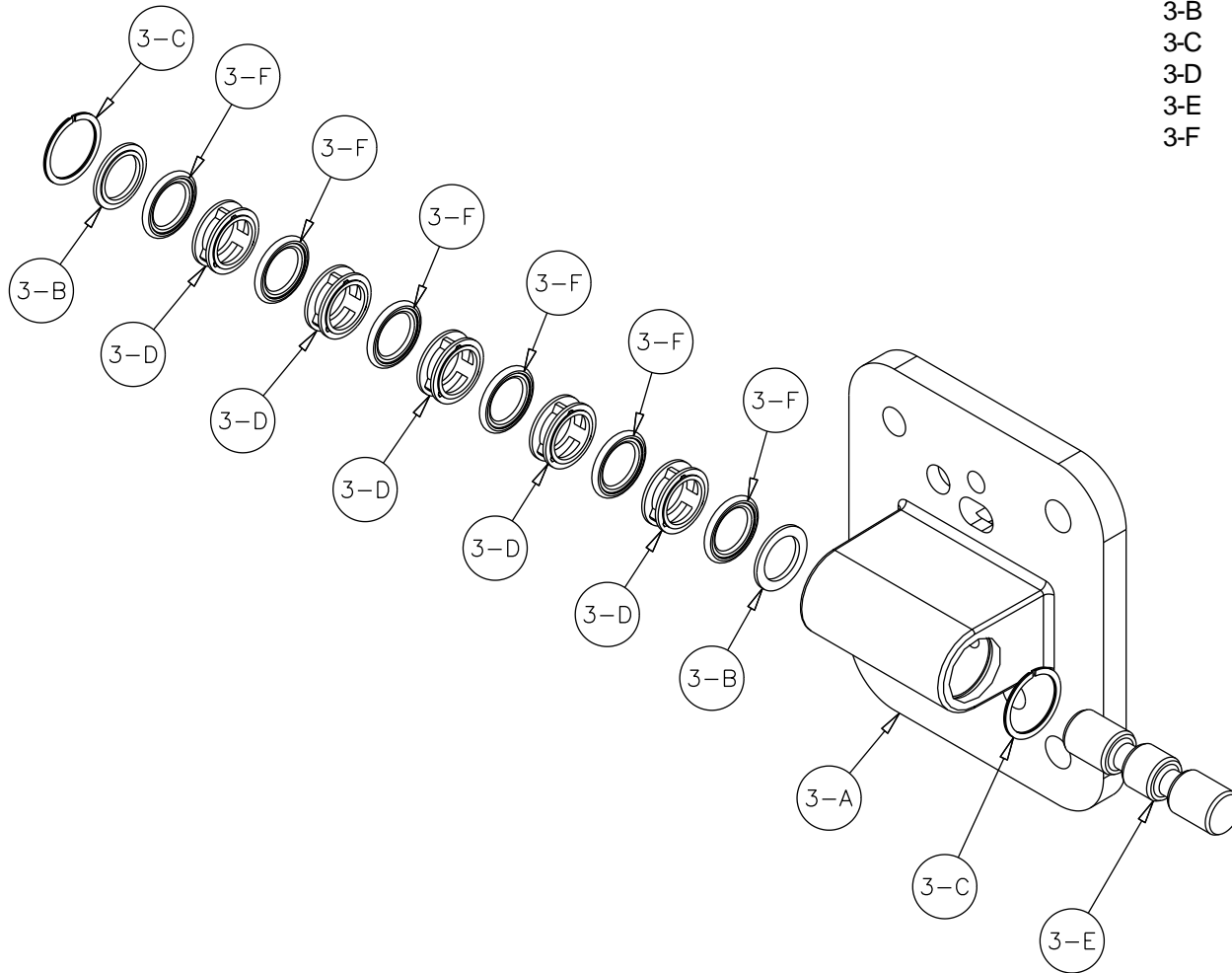
## **WARNING**

*Take action to prevent static sparking. Fire or explosion can result, especially when handling flammable liquids. The pump, piping, valves, containers or other miscellaneous equipment must be grounded.*

## **IMPORTANT**

*This pump is pressurized internally with air pressure during operation. Always make certain that all bolting is in good condition and that all of the correct bolting is reinstalled during assembly.*

# Pilot Valve Assembly Drawing



## PILOT VALVE ASSEMBLY PARTS LIST

ITEM	PART NUMBER	DESCRIPTION	QTY
3	252897	Pilot Valve Assembly	
3-A	252933	Body, Pilot Valve	1
3-B	252934	Bushing, Pilot Valve	2
3-C	252935	Ring, Spiral Retaining	2
3-D	252936	Spacer	5
3-E	252937	Spool, Pilot Valve	1
3-F	252938	Wiper	6

## PILOT VALVE SERVICING

To service the pilot valve first shut off the compressed air supply, bleed the pressure from the pump, and disconnect the air supply line from the pump. Insert the safety clip (item 1-G from Air Distribution Valve assembly drawing) into the smaller unthreaded holes in the end cap (item 1-F from air distribution valve assembly drawing).

**Step #1:** See PUMP ASSEMBLY DRAWING.

Using a  $\frac{7}{16}$ " wrench or socket, remove the four capscrews (items 10) and four flat washers (items 36). Remove the air inlet cap (item 8) and air inlet gasket (item 17). The pilot valve assembly (item 3) can now be removed for inspection or service.

**Step #2:** Disassembly of the pilot valve.

Remove the pilot valve spool (item 3-E). Wipe clean, and inspect for dirt, scratches or wear. Replace the spool if necessary.

Remove the two spiral retaining rings (items 3-C) from each end of the pilot valve body by inserting the tip of a small flat screw driver under the notch in the retaining ring. Lift and push the ring clockwise in a circular motion.

Remove the two pilot valve bushings (items 3-B), five spacers (items 3-D), and six spool wipers (items 3-F) by pushing gently from other end of the pilot valve body. Inspect the wipers and spacers for cuts and/or wear. Replace wipers and/or spacers as necessary.

**Step #3:** Re-assembly of the pilot valve.

First install a spiral retaining ring to one end of the pilot valve body. Spread the spiral and insert one end into the groove in the pilot valve body. Twist the ring in a clockwise motion until the full ring is snapped into the groove. Install one bushing making sure the step side faces toward the wiper. Apply a light coating of grease to the outside diameter of each wiper. Next, gently push in the wipers and spacers until they are against the installed retaining ring in the opposite end of the pilot valve body. Install the remaining bushing making sure the step side faces the wiper. Install the remaining spiral retaining ring using the same method described.

Apply a light coating of grease to the inner diameter of each wiper. Also apply a light coating of grease to the outer diameter of the pilot valve spool and gently push the spool through each wiper.

**Step #4:** Inspect the actuator plungers.

See PUMP ASSEMBLY DRAWING.

The actuator plungers (items 27) can be reached through the stem cavity of the pilot valve in the intermediate assembly (item 4). To service bushings, o-rings and retaining rings, see Intermediate Assembly Drawing.

Remove the plungers (items 27) from the bushings (item 4-B) in each end of the intermediate cavity. Apply a light coating of grease to each o-ring and re-install the plungers in to the bushings. Push the plungers in as far as they will go.

**Step #5:** Re-install the pilot valve assembly into the intermediate assembly.

Be careful to align the ends of the stem between the plungers when inserting the stem of the pilot valve into the cavity of the intermediate.

Re-install the gasket (item 17), air inlet cap (item 8), capscrews and washers (items 10 and 36).

Connect the air supply to the pump. Remove the safety clip (item 1-G) from the end cap (item 1-F). The pump is now ready for operation.



## IMPORTANT

*Read these instructions completely, before installation and start-up. It is the responsibility of the purchaser to retain this manual for reference. Failure to comply with the recommendations stated in this manual will damage the pump, and void factory warranty.*



## WARNING

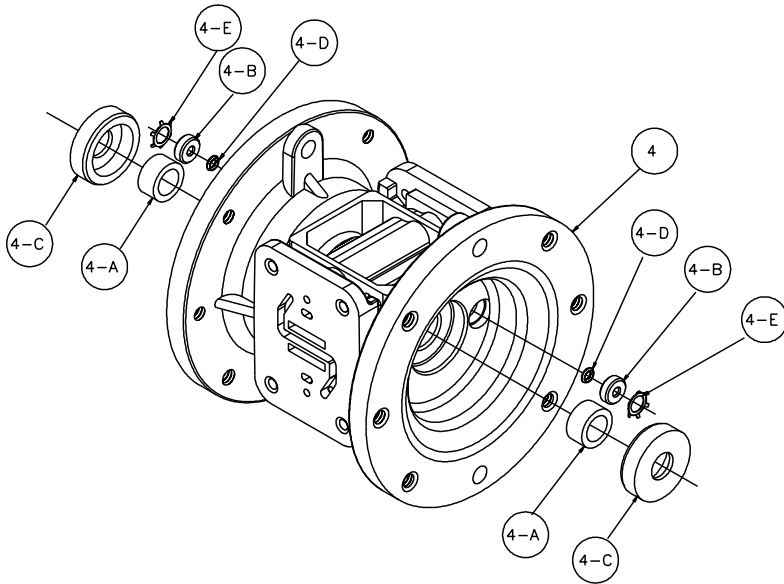
*Take action to prevent static sparking. Fire or explosion can result, especially when handling flammable liquids. The pump, piping, valves, containers or other miscellaneous equipment must be grounded.*



## IMPORTANT

*This pump is pressurized internally with air pressure during operation. Always make certain that all bolting is in good condition and that all of the correct bolting is reinstalled during assembly.*

# Intermediate Assembly Drawing



## INTERMEDIATE ASSEMBLY REPAIR PARTS LIST

ITEM	PART NUMBER	DESCRIPTION	QTY
4	252898	Intermediate Assembly	1
4-A	270960	Bearing	2
4-B	252901	Bushing, Plunger	2
4-C	270961	Housing	2
4-D	240655	O-Ring	2
4-E	240717	Ring, Retaining*	2

**\*NOTE:** It is recommended that when plunger components are serviced, new retaining rings be installed.

## INTERMEDIATE ASSEMBLY SERVICING

### PLUNGER BUSHING, O-RING, AND RETAINING RING SERVICING

To service the plunger bushing components first remove the two retaining rings (items 4-E) using a small flat screwdriver. **\*Note:** It is recommended that new retaining rings be installed.

Next remove the two plunger bushings (items 4-B). Inspect the bushings for wear or scratches. Replace the bushings as necessary.

Inspect the two o-rings (4-D) for cuts and/or wear.

### SERVICING THE DIAPHRAGM ROD BEARINGS

To inspect the bearings, first remove the diaphragm rod (item 30). Check for wear or scratches. Replace as needed.

The two bearings (items 4-A) can be removed by inserting a flat screwdriver through the center bore of the intermediate assembly and tapping the back of the bearings. Care should be taken when removing the bearing through the housings (items 4-C).

To reinstall the bearings use an arbor press to push the bearings flush to the edge of the through bore each end.

### IMPORTANT

*Read these instructions completely, before installation and start-up. It is the responsibility of the purchaser to retain this manual for reference. Failure to comply with the recommendations stated in this manual will damage the pump, and void factory warranty.*

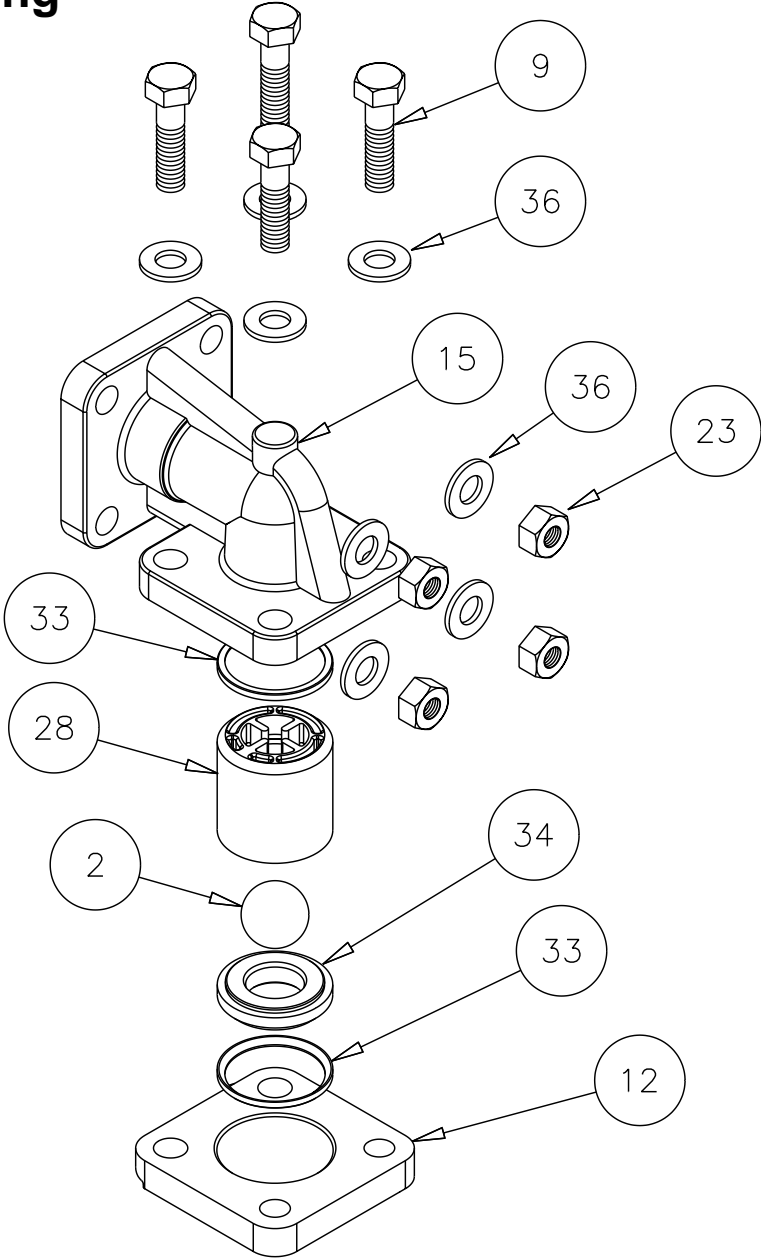
### WARNING

*Take action to prevent static sparking. Fire or explosion can result, especially when handling flammable liquids. The pump, piping, valves, containers or other miscellaneous equipment must be grounded.*

### IMPORTANT

*This pump is pressurized internally with air pressure during operation. Always make certain that all bolting is in good condition and that all of the correct bolting is reinstalled during assembly.*

# Modular Check Ball Valve Drawing





## **MODULAR CHECK BALL VALVE SERVICING**

Before servicing the check valves, first shut off the suction line and then the discharge line to the pump. Next, shut off the compressed air supply, bleed air pressure from the pump, and disconnect the air supply line from the pump. Drain any remaining fluid from the pump. The pump can now be removed for service.

To access the modular check valve, remove the elbows (items 15 from pump composite repair parts drawing). Use a ½" wrench or socket to remove the fasteners. Once the elbows are removed, the modular check valves can be seen in the cavities of the outer chamber (items 12).

Next remove the check valve seal (item 33). Inspect the seal for cuts or pinched areas. Replace seal as needed.

Disassemble the component parts of each modular check valve. Inspect the check valve retainer (item 28) for cuts, abrasive wear, or embedded materials. Replace as needed.

Inspect the check balls (items 2) for wear, abrasion, or cuts on the spherical surface. The check valve seats (items 34) should be inspected for cuts, abrasive wear, or embedded material on the surfaces of both the external and internal chamfers. The spherical surface of the check balls must seat flush to the surface of the inner chamfer on the check valve seats for the pump to operate to peak efficiency. Replace any worn or damaged parts as necessary.

Remove the check valve seal (item 33). Inspect the seal for cuts or pinched areas. Replace seal as needed.

## **RE-ASSEMBLE THE MODULAR CHECK VALVE**

Place a check valve seal (item 33) into the cavity of the outer chamber (item 12). Make sure the chamfer side of the seal faces out. Insert the modular check valve into the outer chamber with the retainer facing up. Install a check valve seal (item 33). Make sure the chamfer side of the seals face the chamfer on the check valve seat or retainer.

The pump can now be reassembled, reconnected and returned to operation.

## **⚠ IMPORTANT ⚠**

*Read these instructions completely, before installation and start-up. It is the responsibility of the purchaser to retain this manual for reference. Failure to comply with the recommendations stated in this manual will damage the pump, and void factory warranty.*

## **⚠ WARNING ⚠**

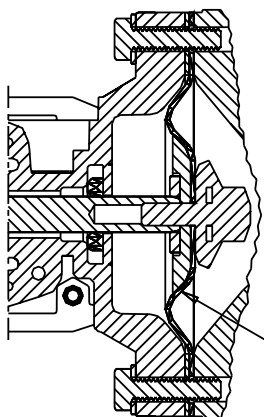
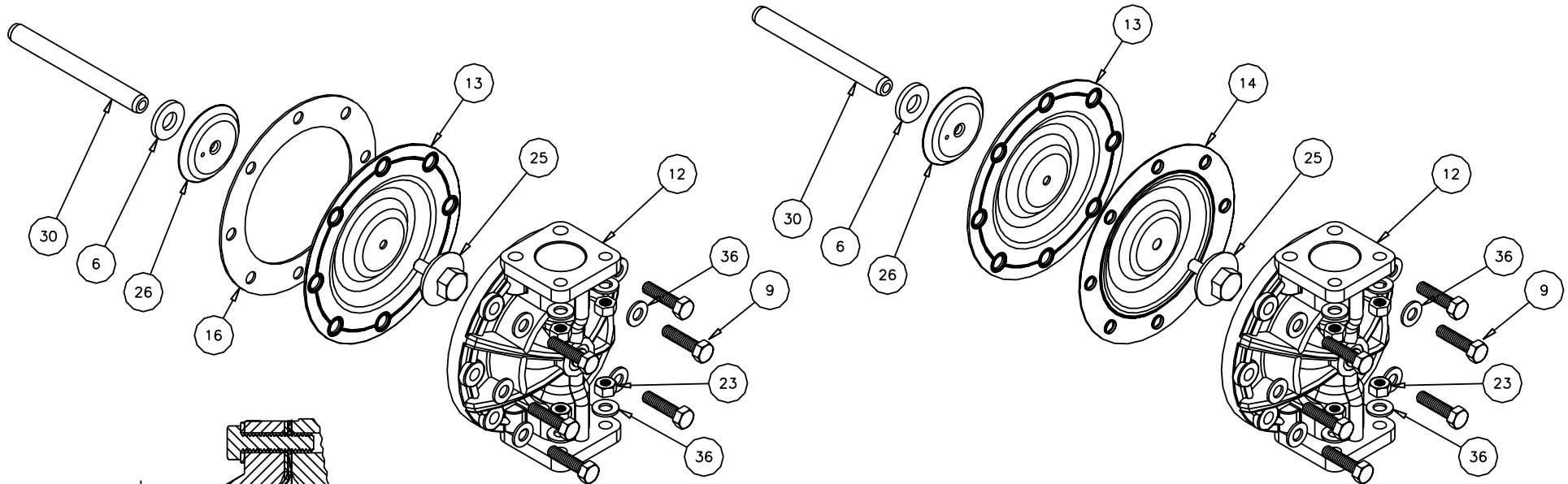
*Take action to prevent static sparking. Fire or explosion can result, especially when handling flammable liquids. The pump, piping, valves, containers or other miscellaneous equipment must be grounded.*

## **⚠ IMPORTANT ⚠**

*This pump is pressurized internally with air pressure during operation. Always make certain that all bolting is in good condition and that all of the correct bolting is reinstalled during assembly.*

# Diaphragm Service Drawing, Non-Overlay

# Diaphragm Service Drawing, with Overlay



**Cross Section of Diaphragm**

THE DIAPHRAGMS FOR BOTH CONFIGURATIONS SHOWN ABOVE ARE TO BE INSTALLED WITH CONVOLUTIONS FACING TOWARDS CENTER OF PUMP

## DIAPHRAGM SERVICING

To service the diaphragms first shut off the suction, then shut off the discharge lines to the pump. Shut off the compressed air supply, bleed the pressure from the pump, and disconnect the air supply line from the pump. Drain any remaining liquid from the pump.

**Step #1:** See the pump composite repair parts drawing, and the diaphragm servicing illustration.

Using a ½" wrench or socket, remove the 16 capscrews (items 9), hex nuts and washers that fasten the elbows (items 15) to the outer chambers (items 12). Remove the elbows with the manifolds and spacers attached.

**Step #2:** Removing the outer chambers.

Using a ½" wrench or socket, remove the 16 capscrews (items 9), hex nuts and washers that fasten the outer chambers, diaphragms, and intermediate (items 4) together.

**Step #3:** Removing the diaphragm assemblies.

Use a ¾" (19mm) wrench or six pointed socket to remove the diaphragm assemblies (outer plate, diaphragm, and inner plate) from the diaphragm rod (item 30) by turning counterclockwise.

Insert a 6-32 set screw into the smaller tapped hole in the inner diaphragm plate (item 26). Insert the protruding stud and the 6-32 fastener loosely into a vise. Use a ¾" wrench or socket to remove the outer diaphragm

plate (item 25) by turning counterclockwise. Inspect the diaphragm (item 13) for cuts, punctures, abrasive wear or chemical attack. Replace the diaphragms if necessary.

**Step #4:** Installing the diaphragms.

Push the threaded stud of the outer diaphragm plate through the center hole of the diaphragm. Thread the inner plate clockwise onto the stud. Insert the loose assembly with the above 6-32 fastener back into the vise. Use a torque wrench to tighten the diaphragm assembly together to 7.5 ft. Lbs. (10.17 Newton meters). Allow a minimum of 15 minutes to elapse after torquing, then re-torque the assembly to compensate for stress relaxation in the clamped assembly.

**Step #5:** Installing the diaphragm assemblies to the pump.

Make sure the bumper (item 6) is installed over the diaphragm rod.

Thread the stud of the one diaphragm assembly clockwise into the tapped hole at the end of the diaphragm rod (item 30) until the inner diaphragm plate is flush to the end of the rod. Insert rod into pump.

Align the bolt holes in the diaphragm with the bolt pattern in the intermediate (item 4).

Fasten the outer chamber (item 12) to the pump, using the capscrews (items 9), hex nuts and flat washers.

On the opposite side of the pump, pull the diaphragm rod out as far as possible. Make sure the bumper (item 6) is installed over the diaphragm rod.

Thread the stud of the remaining

diaphragm assembly clockwise into the tapped hole at the end of the diaphragm rod (item 30) as far as possible and still allow for alignment of the bolt holes in the diaphragm with the bolt pattern in the inner chamber. Install diaphragms with convolutions facing towards center of pump. See sectional view on previous page.

Fasten the remaining outer chamber (item 12) to the pump, using the capscrews (items 9), hex nuts and flat washers.

**Step #6:** Re-install the elbow/spacer/manifold assemblies to the pump, using the capscrews (items 9), hex nuts and flat washers.

The pump is now ready to be re-installed, connected and returned to operation.

## OVERLAY DIAPHRAGM SERVICING

The overlay diaphragm (item 14) is designed to fit snugly over the exterior of the standard TPE diaphragm (item 13).

Follow the same procedures described for the standard diaphragm for removal and installation.

## ⚠ IMPORTANT ⚠

*Read these instructions completely, before installation and start-up. It is the responsibility of the purchaser to retain this manual for reference. Failure to comply with the recommendations stated in this manual will damage the pump, and void factory warranty.*

## ⚠ WARNING ⚠

*Take action to prevent static sparking. Fire or explosion can result, especially when handling flammable liquids. The pump, piping, valves, containers or other miscellaneous equipment must be grounded.*

## ⚠ IMPORTANT ⚠

*This pump is pressurized internally with air pressure during operation. Always make certain that all bolting is in good condition and that all of the correct bolting is reinstalled during assembly.*

## PUMPING HAZARDOUS LIQUIDS

When a diaphragm fails, the pumped liquid or fumes enter the air end of the pump. Fumes are exhausted into the surrounding environment. When pumping hazardous or toxic materials, the exhaust air must be piped to an appropriate area for safe disposal. See illustration #1 at right.

This pump can be submerged if the pump materials of construction are compatible with the liquid being pumped. The air exhaust must be piped above the liquid level. See illustration #2 at right. Piping used for the air exhaust must not be smaller than 1/2" (1.27 cm) diameter. Reducing the pipe size will restrict air flow and reduce pump performance. When the pumped product source is at a higher level than the pump (flooded suction condition), pipe the exhaust higher than the product source to prevent siphoning spills. See illustration #3 at right.

## CONVERTING THE PUMP FOR PIPING THE EXHAUST AIR

The following steps are necessary to convert the pump to pipe the exhaust air away from the pump.

Use a Phillips screwdriver to remove the six self-tapping screws (item 1-H).

Remove the muffler cap and muffler (items 1-G and 1-F). The 3/8" NPT molded threads in the air distribution valve body (item 1-A).

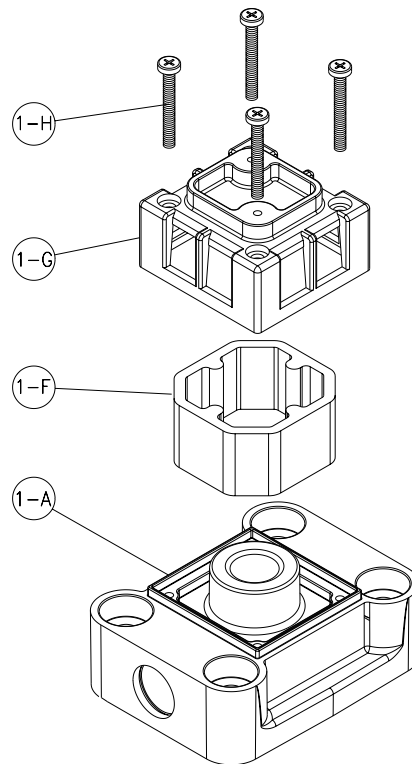
Piping or hose may now be installed.

## IMPORTANT INSTALLATION

**NOTE:** The manufacturer recommends installing a flexible hose or connection between the pump and any rigid plumbing. This reduces stresses on the molded plastic threads of the air exhaust port. Failure to do so may result in damage to the air distribution valve body.

Any piping or hose connected to the pump's air exhaust port must be physically supported. Failure to support these connections could also result in damage to the air distribution valve body.

## Exhaust Conversion Drawing



## CONVERTED EXHAUST ILLUSTRATION

