

(VITON PACKINGS)

SPECIFICATIONS

For dispensing fluid lubricant or grease.
Adjustable from .05 cu. in. to .5 cu. in.

OPERATING PRESSURE

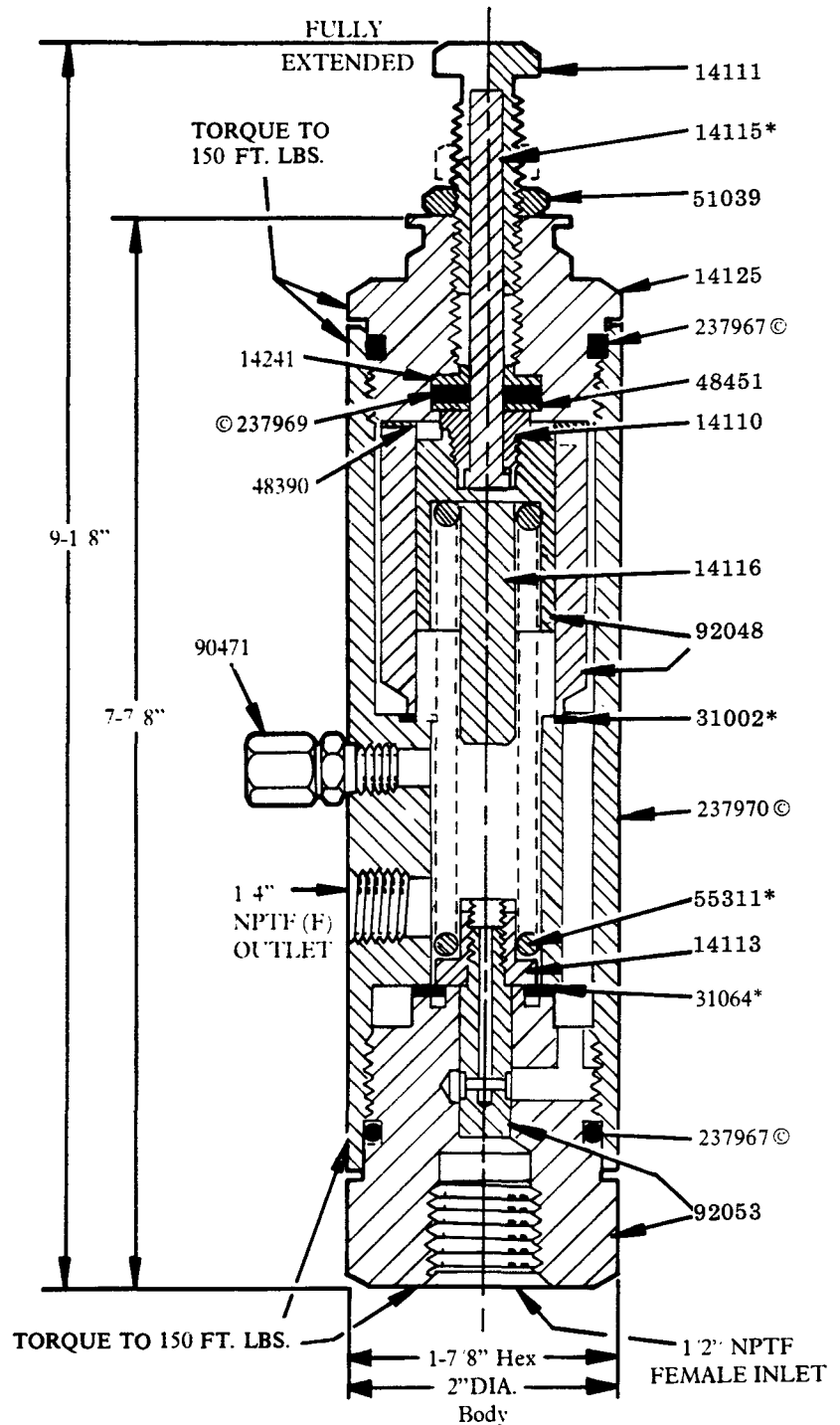
- 1850 p.s.i. Minimum
- 2500 p.s.i. Recommended
- 3500 p.s.i. Maximum
- 300 p.s.i. Maximum Recharge Pressure

SERVICE PARTS

Part	Qty.	Description
14110	1	Retainer
14111	1	Adjusting screw
14113	1	Spring seat
*14115	1	Rod
14116	1	Stop pin
14125	1	Bushing
14241	1	Packing retainer
*31002	1	Gasket
*31064	1	Gasket
48390	1	Washer
48451	1	Plunger washer
51039	1	Hex jam nut
*55311	1	Spring
90471	1	Fitting assembly
92048	1	Retainer and piston
92053	1	Bushing and plunger
© 237967	2	O-ring
© 237969	1	Plunger packing
© 237970	1	Body

*Included in 237975 Repair kit.

© Indicates change.



RETAIN THIS INFORMATION FOR FUTURE REFERENCE

When ordering replacement parts, list: Part Number, Description, Model Number, and Series Letter.

LINCOLN provides a Distributor Network that stocks equipment and replacement parts.