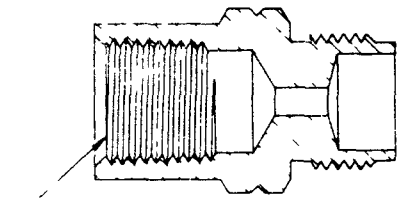


INJECTOR OUTLET ADAPTERS



Models 14988, 14991, 84195 84200, 84203, 84204

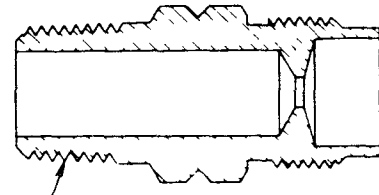
FOR SERIES SL-32, SL-33, SL-42, SL-43 INJECTORS



1/8" NPTF

*Torque to
8 ft. lbs.

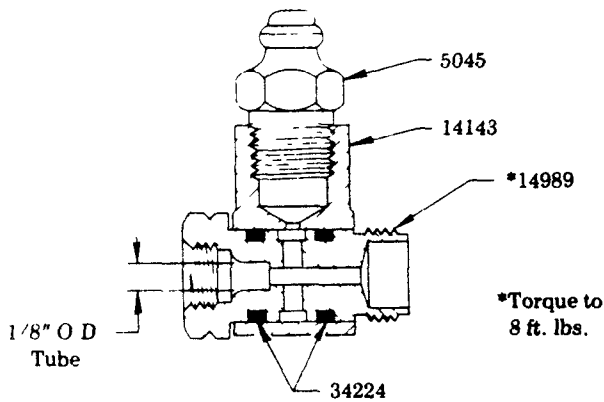
***14988 OUTLET ADAPTER**



1/8" NPTF

*Torque to
8 ft. lbs.

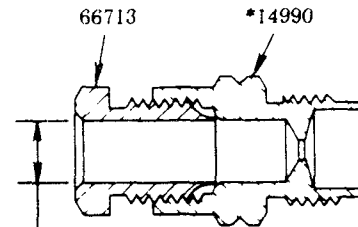
***14991 OUTLET ADAPTER**



1/8" O D
Tube

*Torque to
8 ft. lbs.

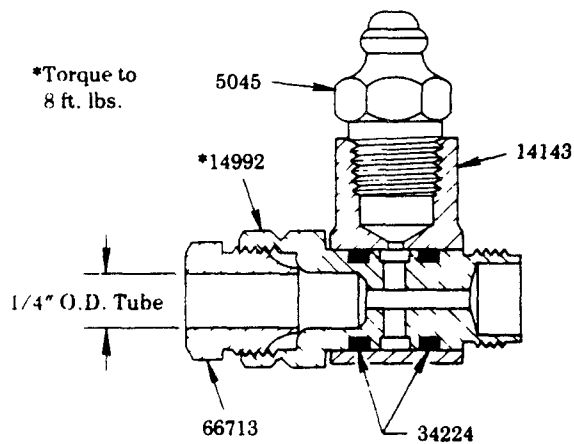
84195 OUTLET ADAPTER



1/4" O D. Tube

*Torque to
8 ft. lbs

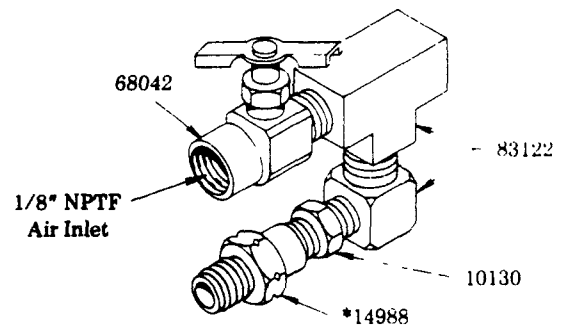
84200 OUTLET ADAPTER



*Torque to
8 ft. lbs.

1/4" O.D. Tube

84203 OUTLET ADAPTER



1/8" NPTF
Air Inlet

*Torque to
8 ft. lbs

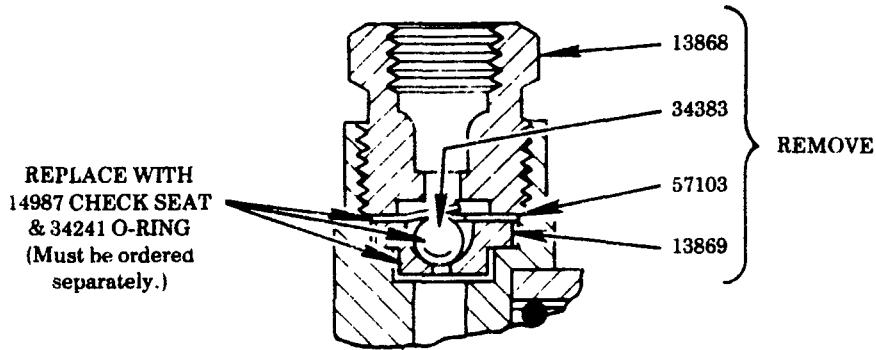
84204 SPRAY NOZZLE

LINCOLN ST. LOUIS
4010 GOODFELLOW BLVD • ST LOUIS MO 63120 • (314) 679 4200

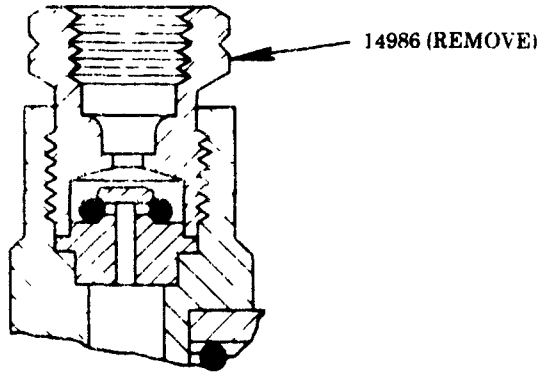
A DIVISION OF
McNEIL
CORPORATION

SECTION - **C8**
PAGE - **154B**

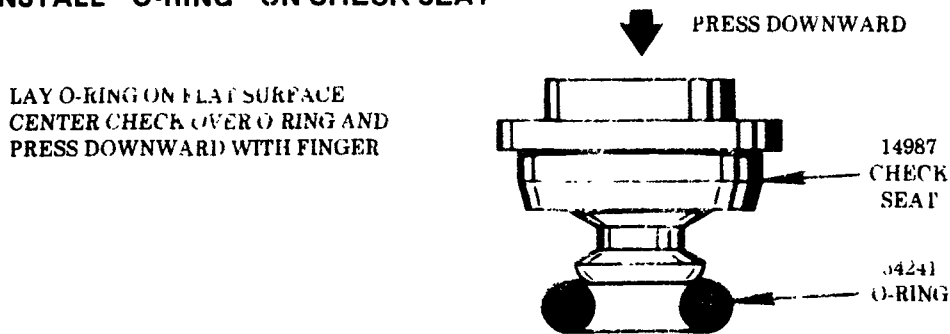
TO CONVERT INJECTORS HAVING "BALL" CHECK



TO CONVERT INJECTORS HAVING "O-RING" CHECK



TO INSTALL "O-RING" ON CHECK SEAT



SERVICE PARTS

PART	DESCRIPTION	PART	DESCRIPTION
5045	Fitting	14992	Outlet body
10130	Nipple	34224	O ring
14143	Sleeve	34241	O-ring
14987	Check seat	66713	Compression nut
14988	Outlet body	68042	Air cock
14989	Outlet body	83122	Spray nozzle assembly
14990	Outlet adaptor		

RETAIN THIS INFORMATION FOR FUTURE REFERENCE

When ordering replacement parts, list Part Number, Description, Model Number and Series Letter
 LINCOLN of LOUIS provides a Distributor Network that stocks equipment and replacement parts
 A list of Authorized Service Departments will be furnished upon request